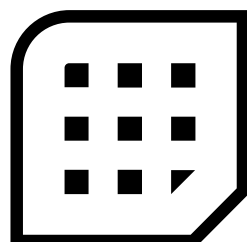


MILANO MODULAR WARDROBE

Product Information and
Assembly Instructions



**modular
closets.**



MILANO MODULAR WARDROBE

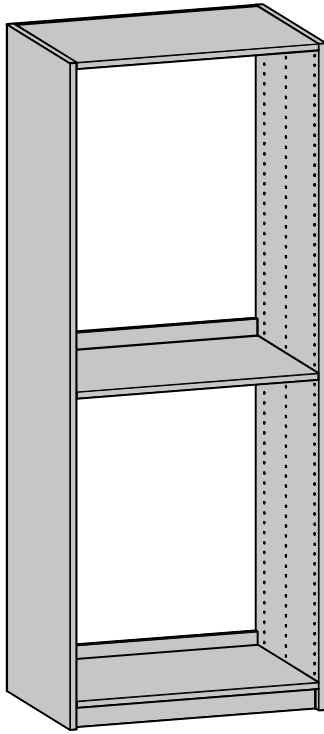
On the following 2 pages you'll see all the options you can place in your MILANO base units

First we'll start off by building the base units.

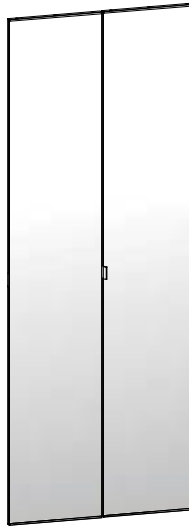
For the Interior options, refer to the corresponding manuals for the assembly.

Options for 30" Wide Towers

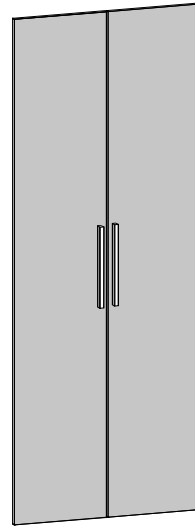
Doors . - - - - - .



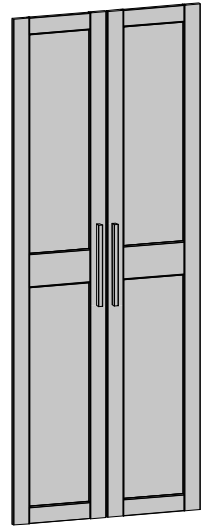
Mirror



Slab

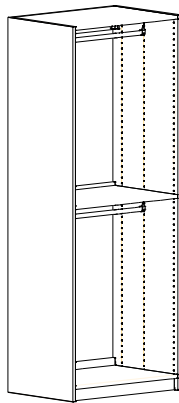


Shaker

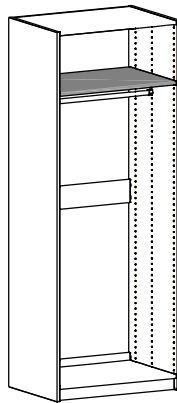


Hanging . - - - - - . **Shelves** . - - - - - .

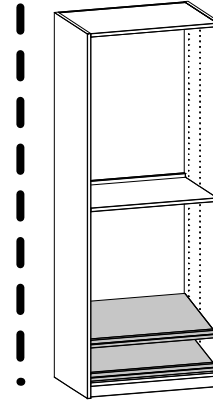
Double



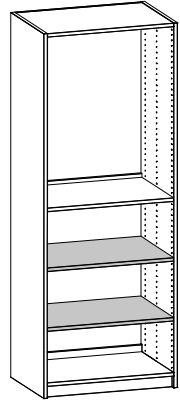
Tall



Shoe

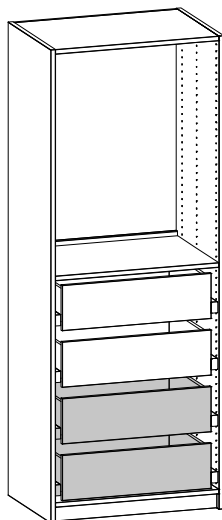


Adjustable

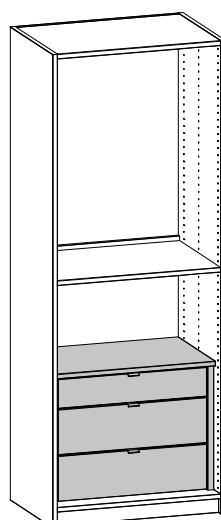


Interior Options . - - - - - .

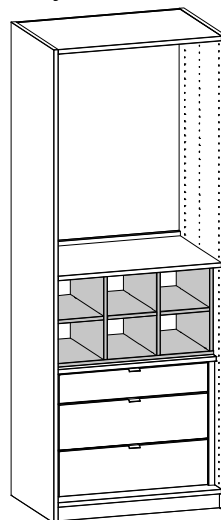
Drawer Pack



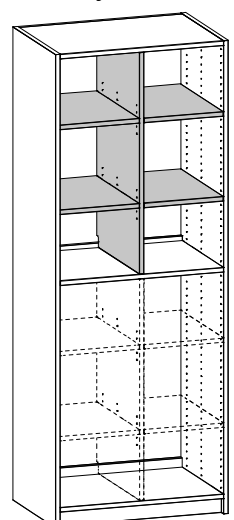
Chest of Drawers



Cubby Over Chest

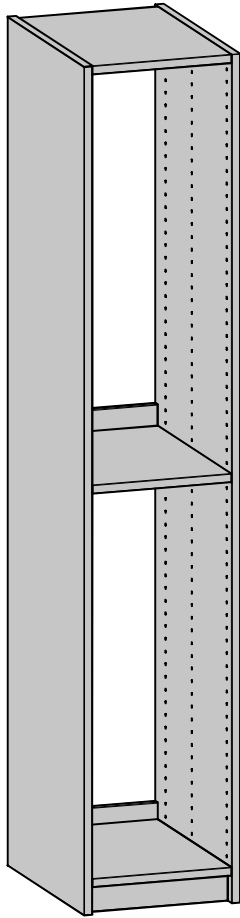


Cubby Insert





Options for 15" Wide Towers



Doors

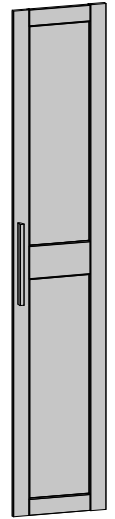
Mirror



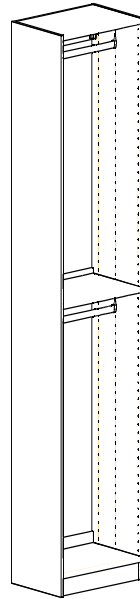
Slab



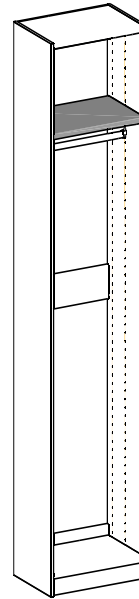
Shaker



Double hanging



Tall hanging



Adjustable shelves

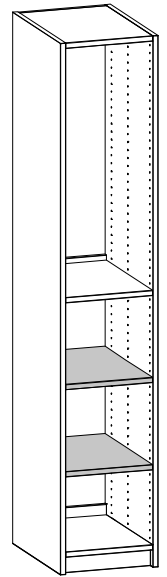


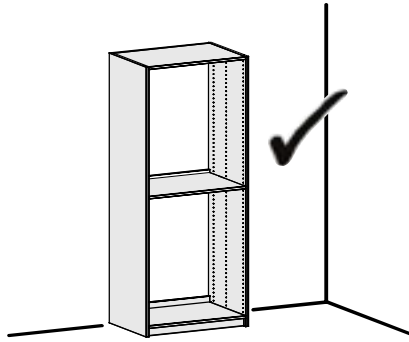
Table Of Contents

Product Information	2-4
Safety Warnings	6-7
Assembly Preparation	8-11
Assembly Instructions	12-32



Safety Warnings

this product is intended for floor use only and not for wall mount use.



Serious or fatal crushing injuries can occur from furniture tip-over.

To help prevent tip over:

- Anchor unit to stud or wall
- Place heaviest items on the lowest surfaces as far back from the front edge as possible. Do not set TVs or other heavy objects on top of this product, unless the product is specifically designed to accomodate them.
- Do not allow children to climb or hang on unit.
- Use of tip-over restraints may only reduce, but not eliminate the risk of the tip over.
- This unit contains small parts which could be a choking hazard for small children. Children should be under adult supervision at all times or serious injury could occur.
- Do not mount or attach anything to the sides, rear or front of the unit as this can create a force which can cause the unit to tip. Serious bodily injury and/or damage to personal belongings may occur.
- Do not stack units. Stacking of units can cause an unsafe tip-over hazard which may cause serious bodily injury and/or damage to personal belongings.
- All units must be secured individually to wall
- DO NOT use this item if any parts are missing, damaged or worn.
- DO NOT use this item unless all fixings are secured.
- Always use on a level, even surface.

▲ WARNING	
	<p>Serious or fatal crushing injuries can occur from furniture tip-over. To help prevent tip-over:</p> <ul style="list-style-type: none"> • Install tip-over restraint provided. • Place heaviest items on the lowest surfaces as far back from the front edge as possible. • Do not set TVs or other heavy objects on top of this product, unless the product is specifically designed to accomodate them. • Never allow children to climb or hang on drawers, doors, or shelves.
	<p>Use of tip-over restraints may only reduce, but not eliminate, the risk of the tip-over.</p> <p><i>This is a permanent label. Do not attempt to remove!</i></p>

This product is TSCA Title VI Compliant

This product is California 93120 Compliant For Formaldehyde Phase II



WARNING: This product can expose you to chemicals including Formaldehyde, which is known to the State of California to cause cancer or birth defects or other reproductive harm.

For more information go to www.P65Warnings.ca.gov/furniture.

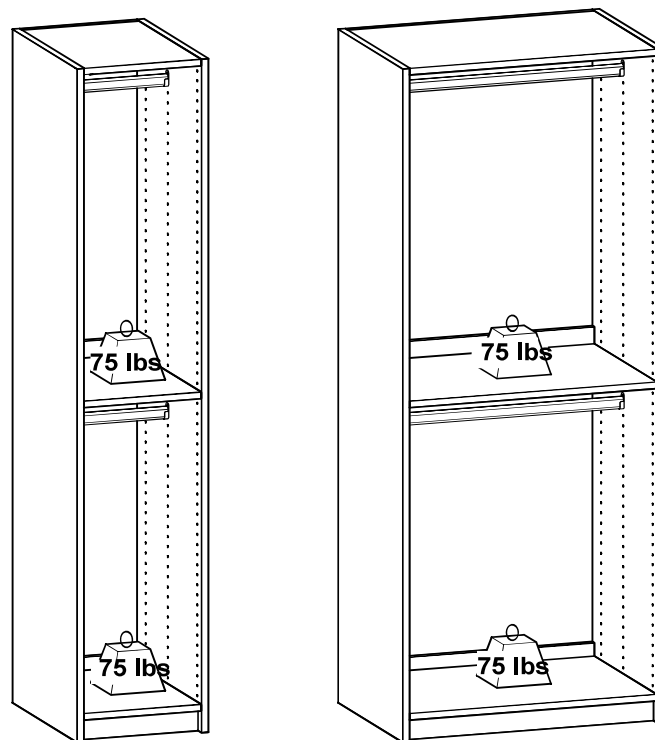
Weight capacity/Care instructions



WARNING: This unit has been designed to support the maximum loads shown. Exceeding these load limits could cause sagging, instability, product collapse, and/or serious injury.

WARNING: Please ensure that all the objects are removed before moving the assembled unit. The unit must be lifted by more than one person, not dragged or pushed. Failure to do so will cause product damage, instability, product collapse, and/or serious injury.

Capacity of shelf and hanging rod



CLEANING INSTRUCTIONS:

- Gently wipe the cabinet with a soft cloth
- To clean the cabinet, dampen the cloth with a neutral detergent and water, wipe the cabinet and follow with a dry cloth.
- DO NOT clean with benzene thinner, alkaline detergent, alcoholic system detergent, glass cleaner, wax, polish cleaner, soap powder, or insecticide.
- Rubber or vinyl should not be in contact with the cabinet for an extended period of time. These types of fluids and materials can cause the finish to deteriorate, crack or peel.
- No lubrication required.

Congratulations on your purchase!

Now what? Don't start sweating over this box of parts. This will be easy. We did the hard work for you.

All you need to do is follow our simple instructions and you'll be on your way to transforming your room in no time.

Good luck! (though we're confident you won't need it!)

The Milano Installation Process Will Be Broken Down Into 2 Simple Steps

1: Building and installing the base units

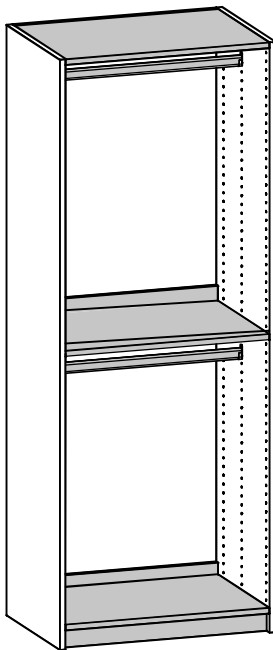
Single Unit (figure 1) or Combined Units (figure 2)

2: Building and inserting the component options as pictured in pages 3-4

In This Manual We Are Going To Build:

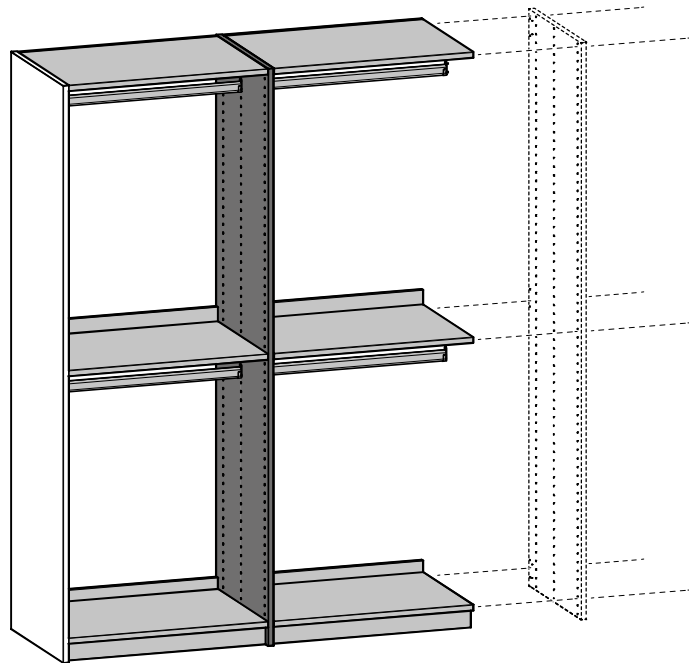
Single unit

figure 1



Combined units

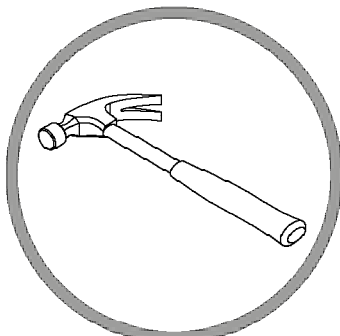
figure 2



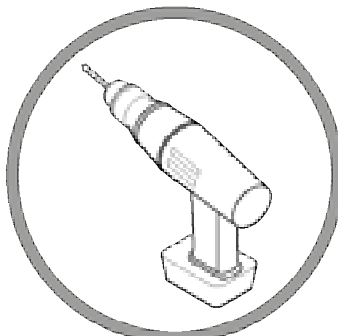
BEFORE YOU BEGIN

1. Check for damaged or missing parts.
Call 844-969-4247 or Email customer service support@modularclosets.com, for help or to order missing supplies.
2. Use the carton as a working surface to prevent product damage during assembly.
3. Gather all tools prior to assembly.

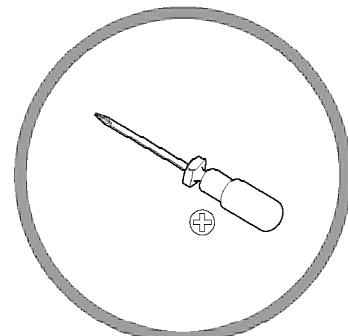
Tools



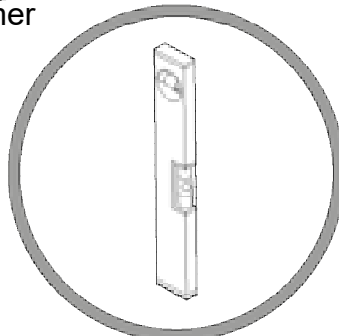
Hammer



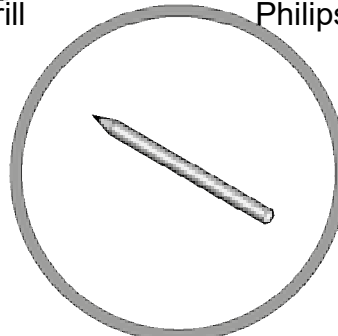
Drill



Philips screw driver



Level



Pencil

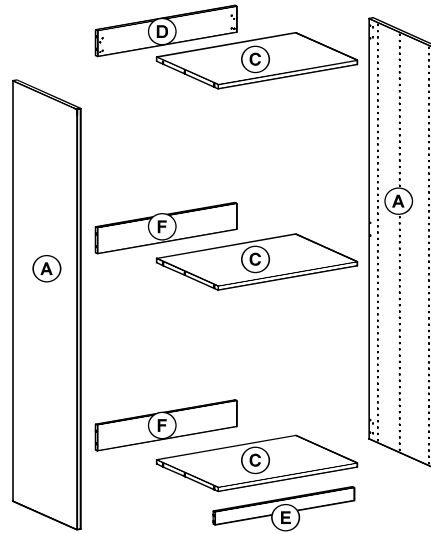


Stud finder (optional)

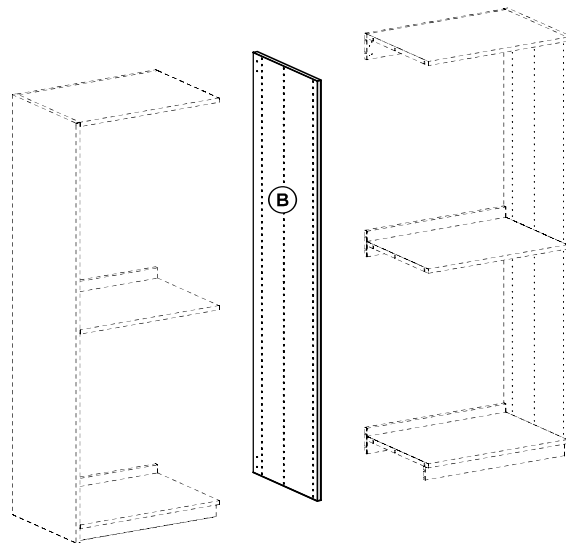


Exploded diagram

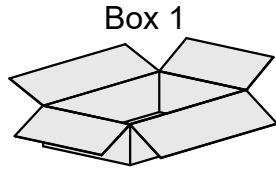
ITEM	DESCRIPTION	QUANTITY
A	Right/Left side panel	2
B	Shared Side Panel	1
C	Fixed Shelf	3
D	Top back cleat	1
E	Toe Kick	1
F	Back Cleat	2



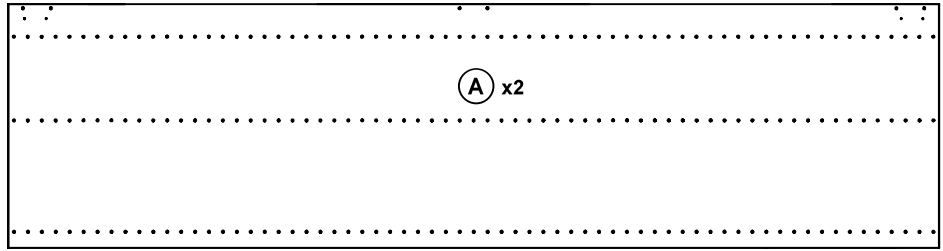
for combined unit



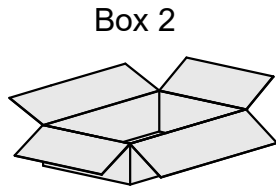
Packaging and Hardware



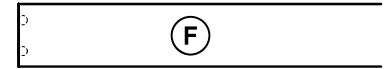
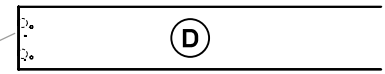
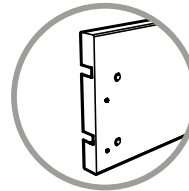
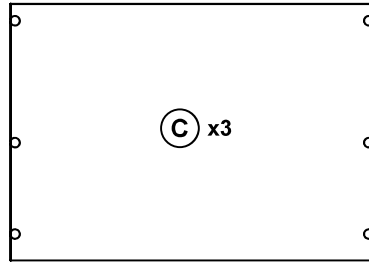
Box 1



MIL-SPP-84H22D-WHL



Box 2



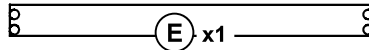
30"

MIL-SRP30-22D-WHL

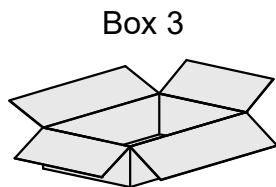
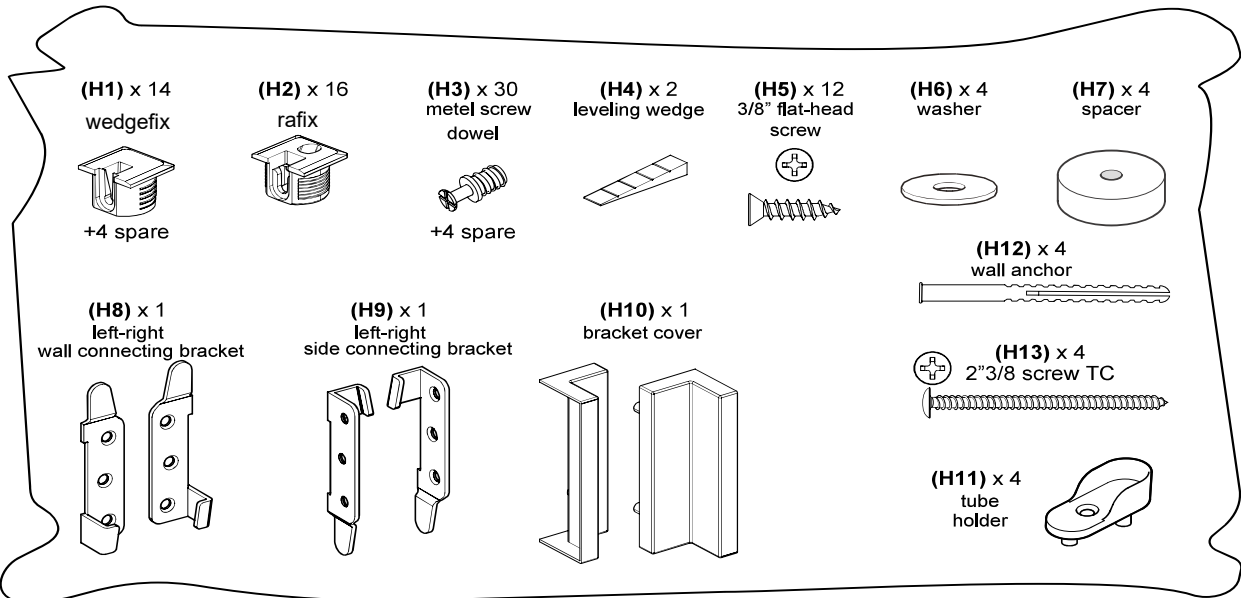
or

15"

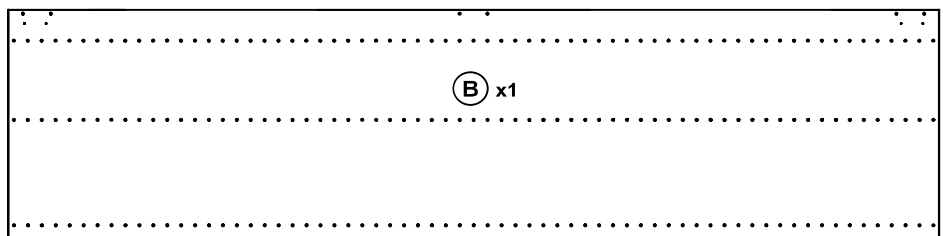
MIL-SRP15-22D-WHL



(H14) x 2
Closet rod



Box 3



MIL-SPS-84H22D-WHL



Step 1

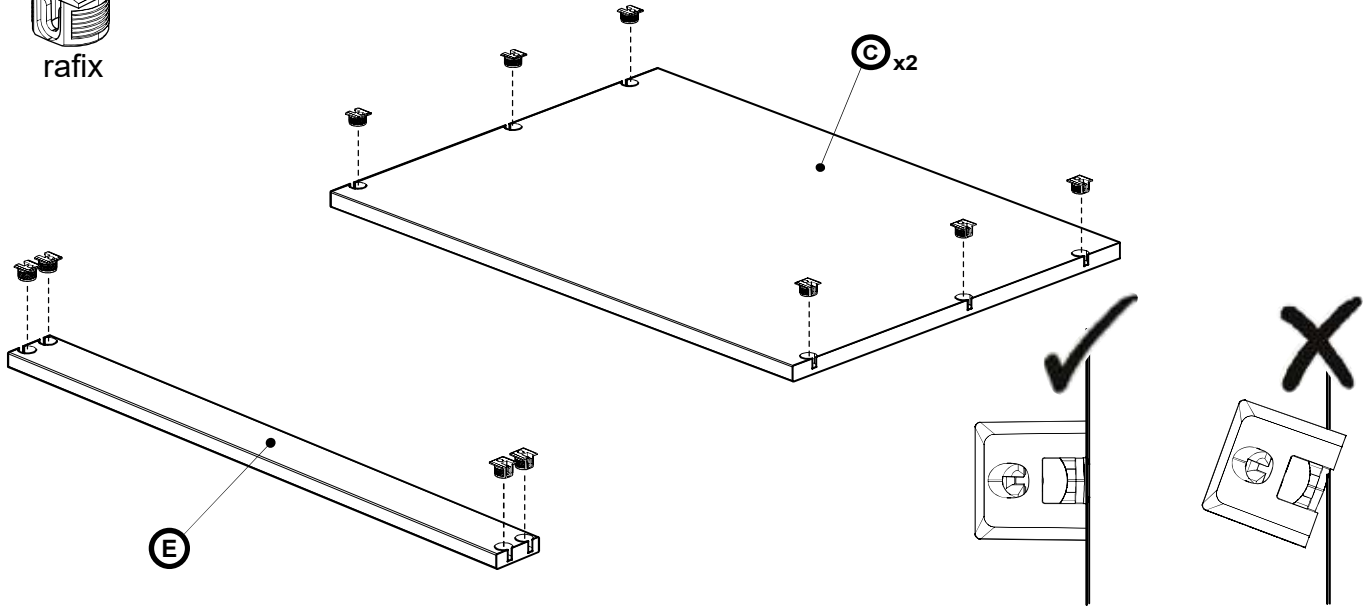
Insert rafix into 2 fixed shelves (C) and the toekick (E)



Box 2



rafix

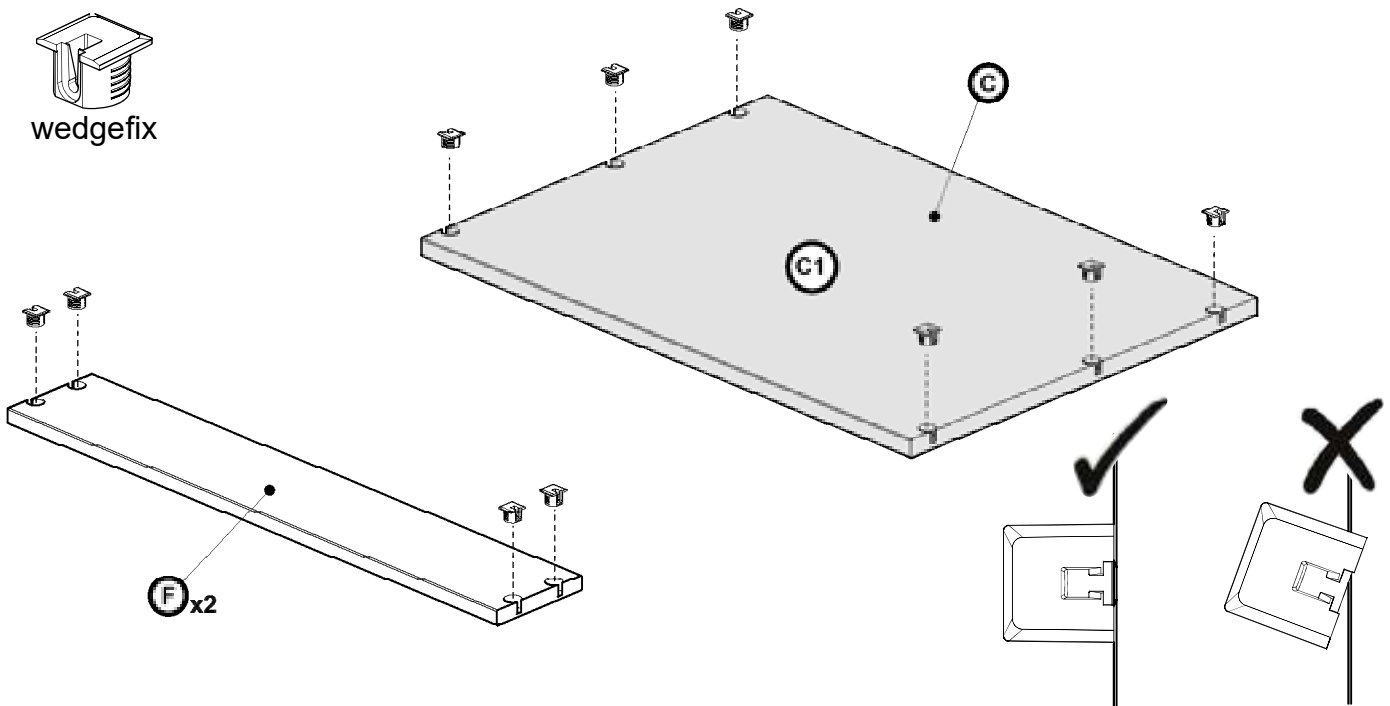


Step 2

Insert wedgex into the remaining 1 fixed shelf (C) and 2 cleats (F)

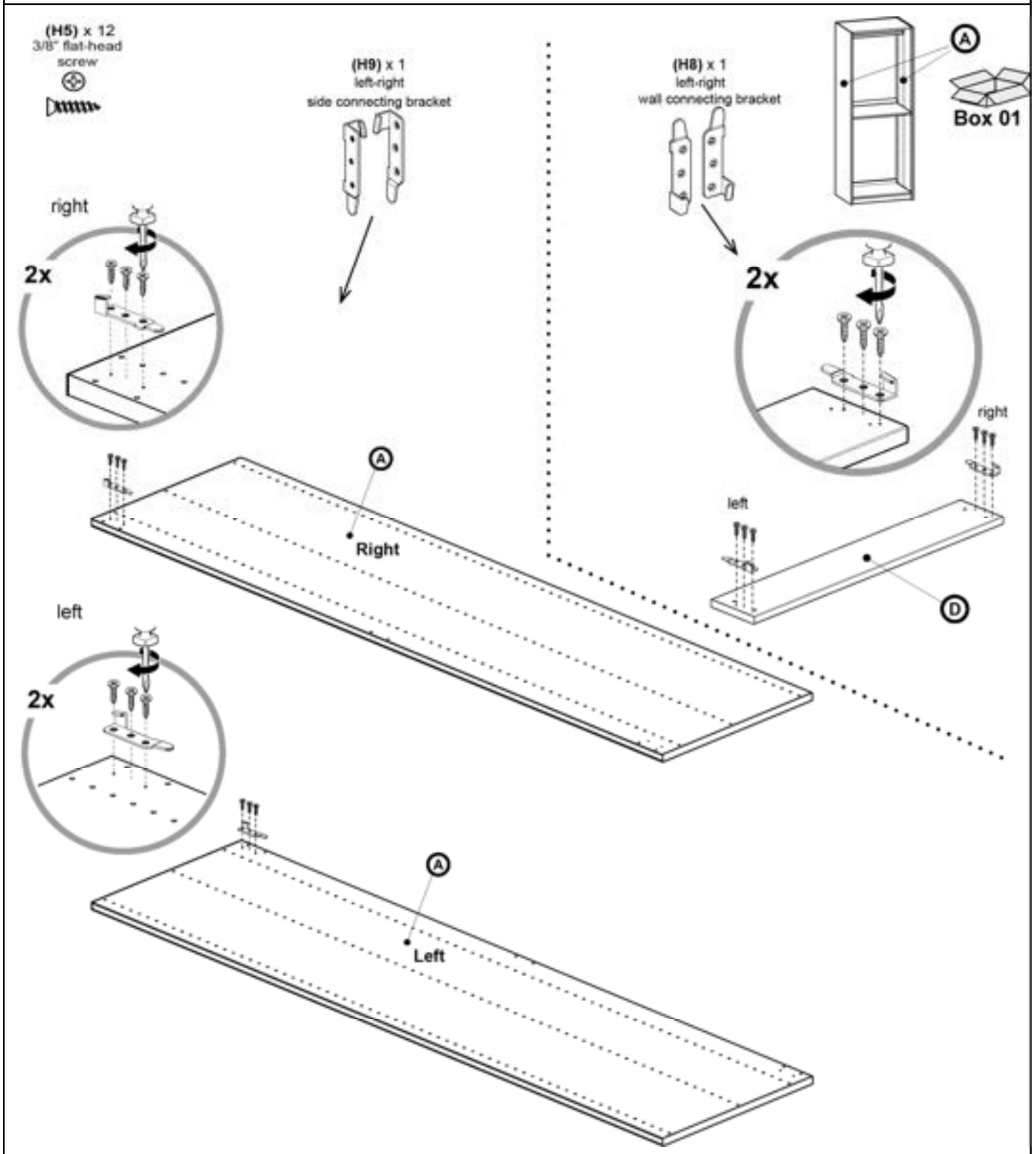


wedgex



Step 3

Install the connecting brackets into the 2 side panels (A) and the top back cleat (D)

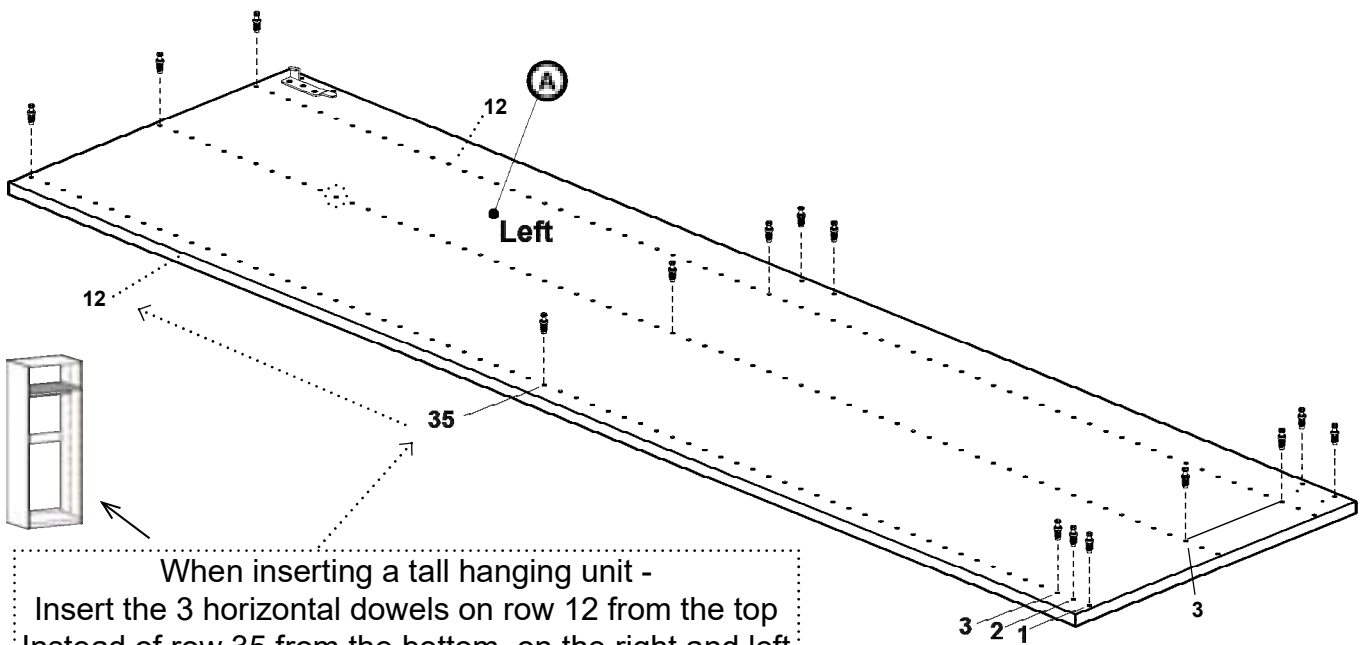
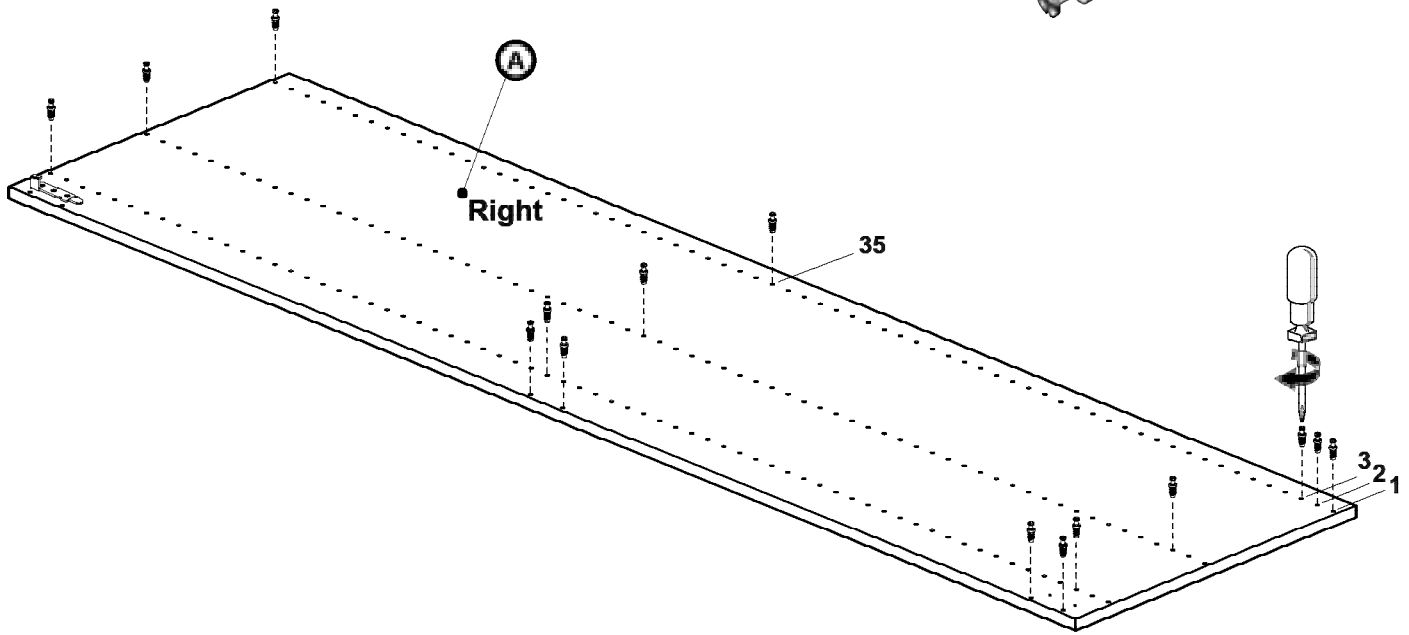




Step 4

Drill the metal screw dowels into the side panels

(H3) x 30
metal screw
dowel



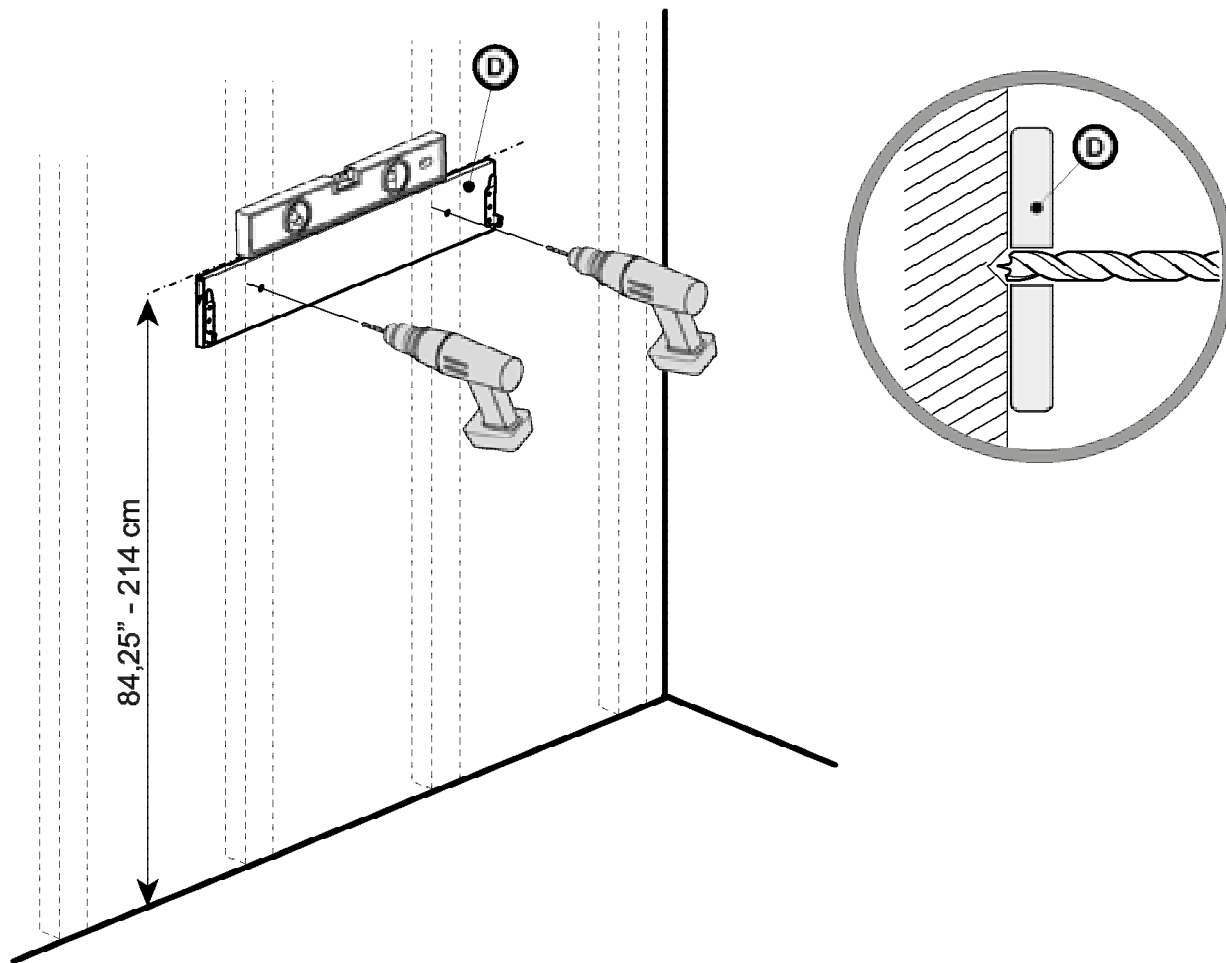
When inserting a tall hanging unit -
Insert the 3 horizontal dowels on row 12 from the top
Instead of row 35 from the bottom, on the right and
left panels

Great you made it this far! Hope everthing is going good!

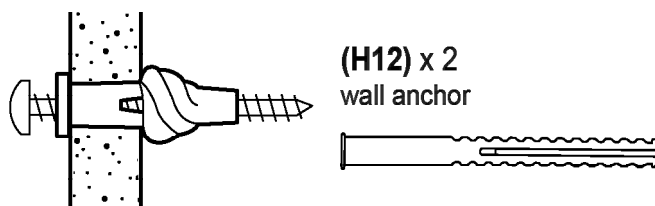
Step 5 - Mounting prep

Drill pilot holes into the wall using a Stud finder*, using the top back cleat (D) as a template, and stop as soon as you hit the wall

Use a tape measure to configure location as pictured below - 84.25" or 214 cm.
(Height of the side panels)



*
If using sheet rock put anchors in to the hole in the wall





Introduction To The Mounting / Installation Process

Your MILANO WARDROBE can be installed 2 ways.

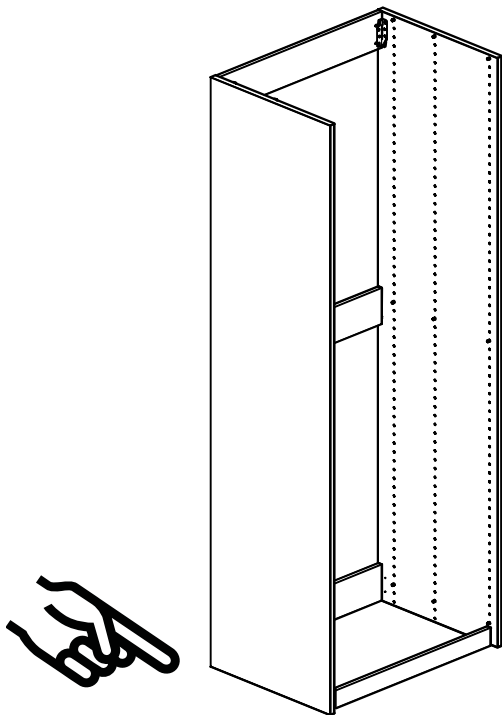
FIGURE A

Without moldings (baseboard) - For a flush look straight against the wall

FIGURE B

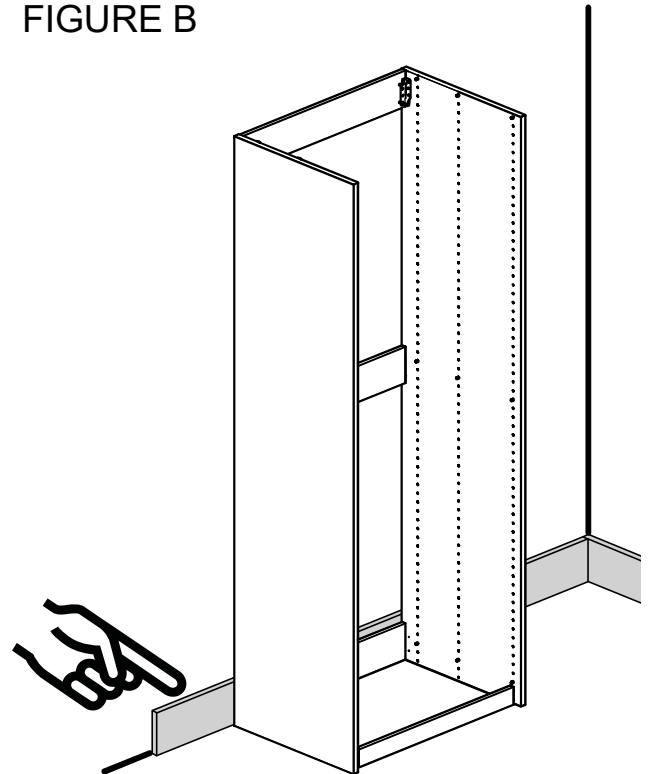
With moldings (baseboard) - If your room has moldings, you don't have to remove the moldings.

FIGURE A



Continue on to Step 6

FIGURE B



Skip to step 7

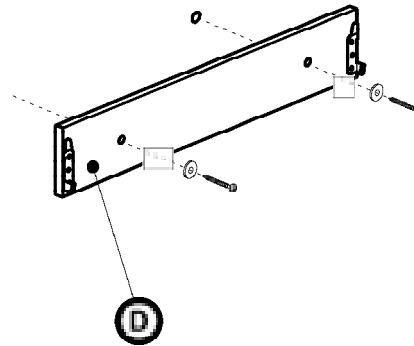
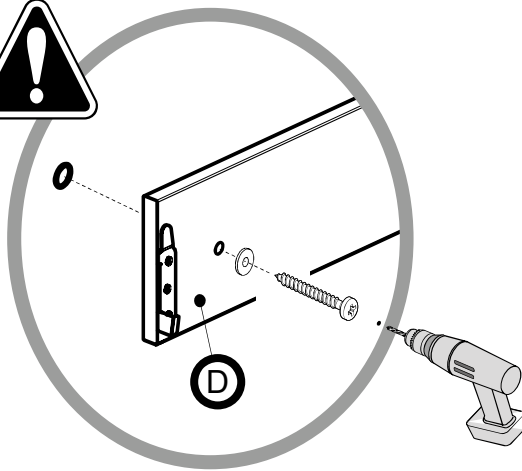
Step 6

Drill / Drive in the screws through the top back cleat (D) all the way into the wall

(H13) x 2
2 3/8 screw TC



(H6) x 2
washer



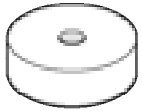
Now skip to step 8



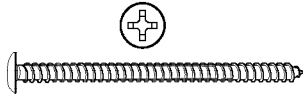
Step 7

Drill / Drive in the screws through the top back cleat (D) all the way into the wall with the spacer

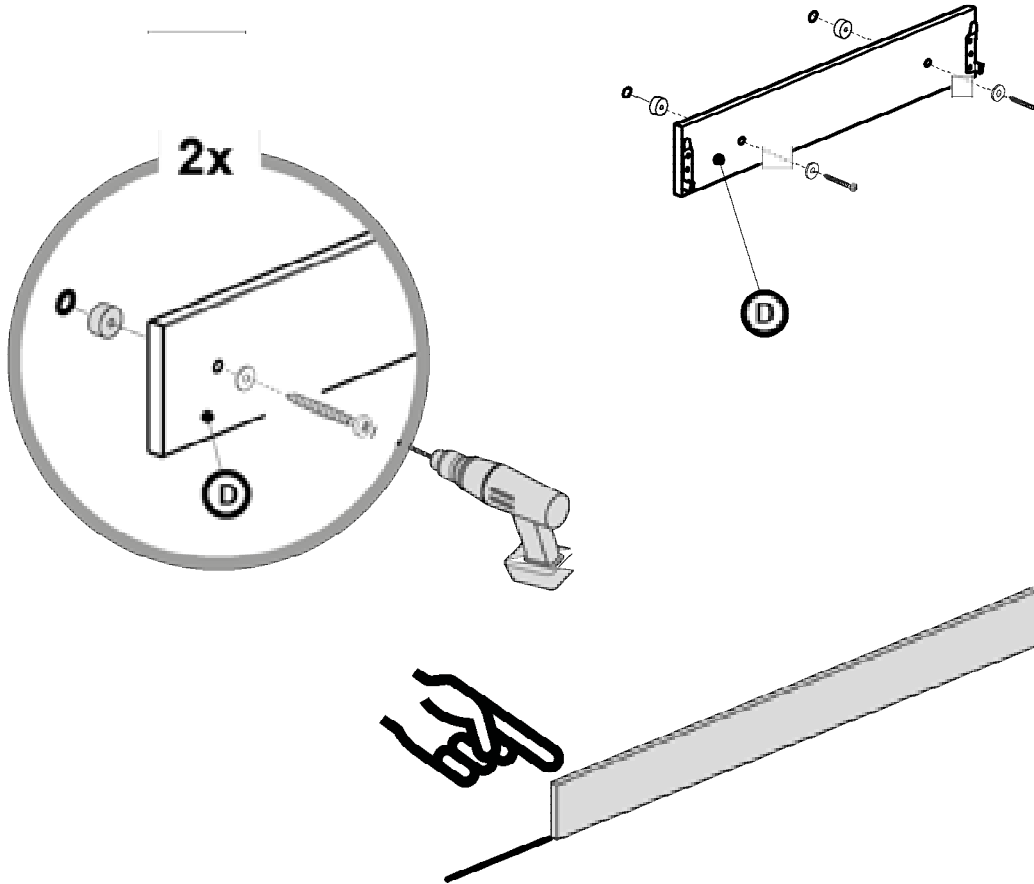
(H7) x 2
spacer



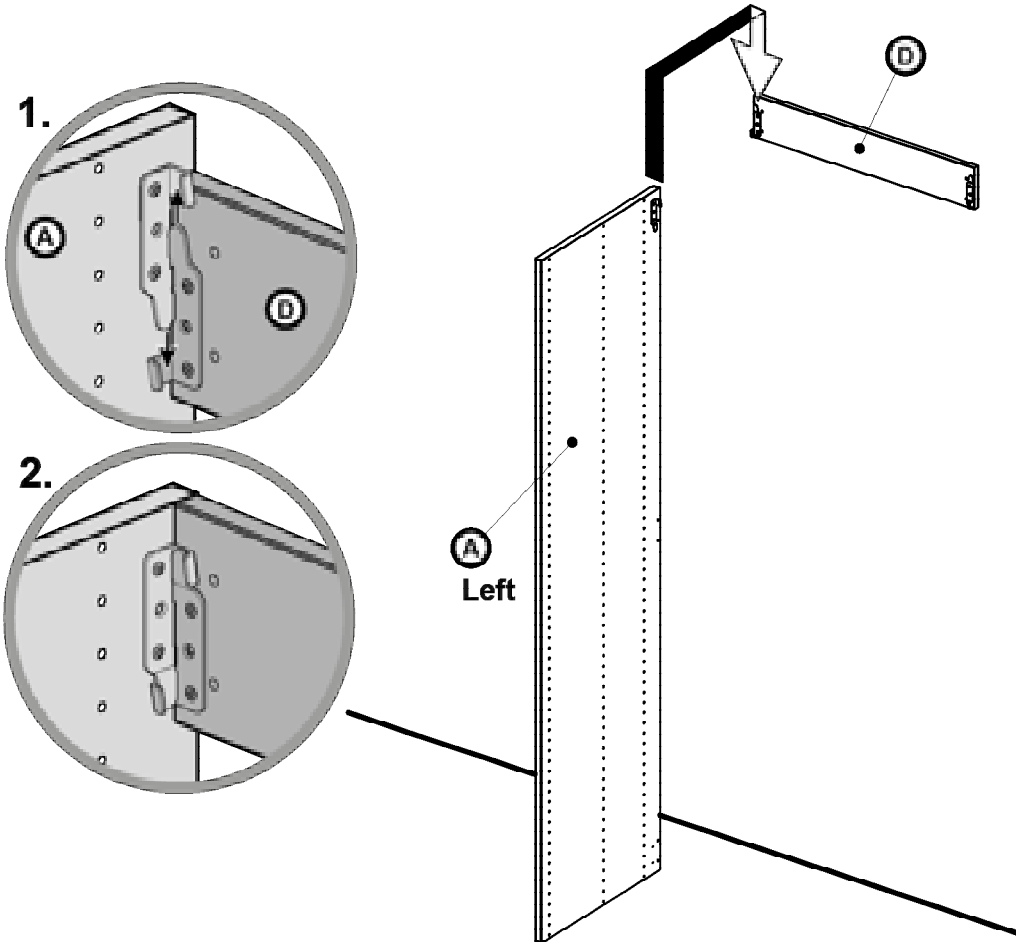
(H13) x 2
2 3/8 screw TC



(H6) x 2
washer

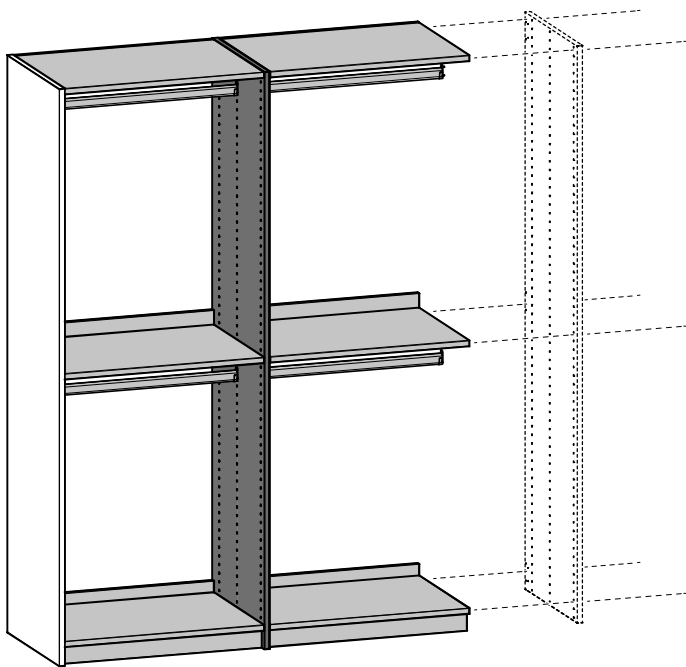


Step 8
Hang left side panel (A) onto back top cleat (D)



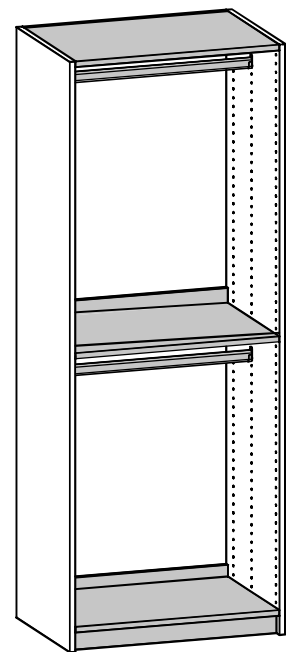


Combined units



Continue to step 9

Single unit



Skip to step 11



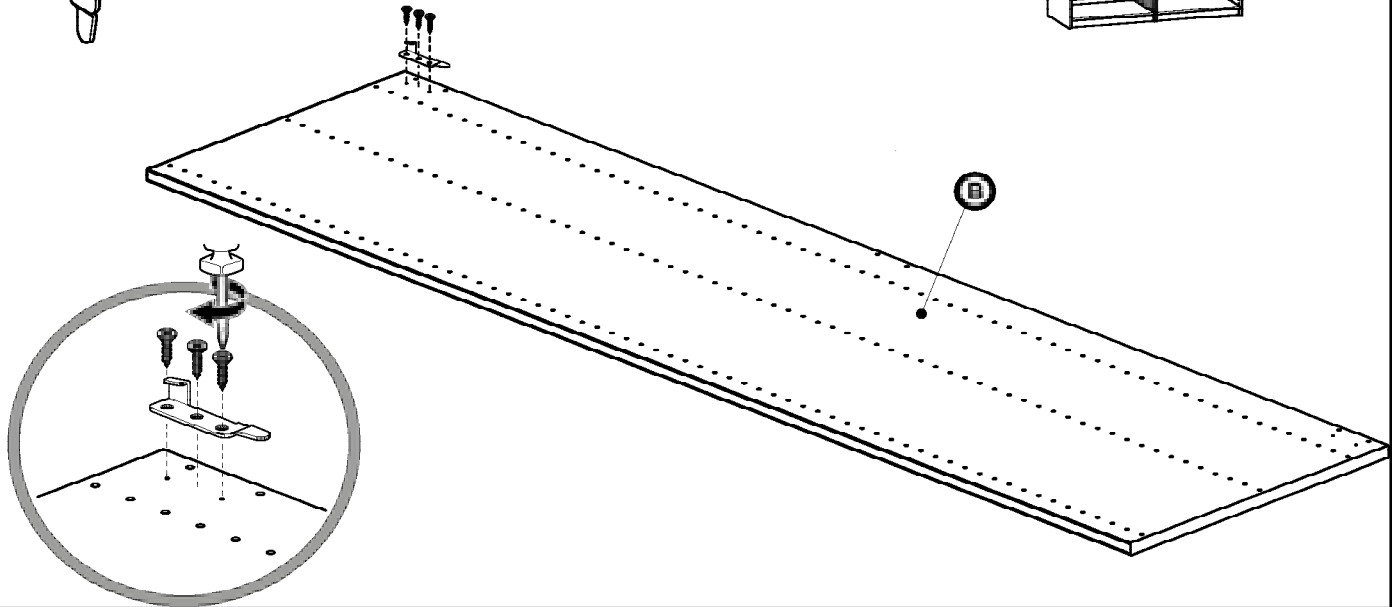
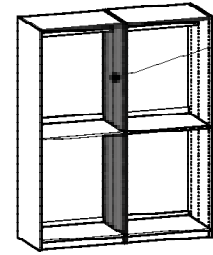
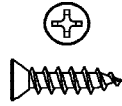
Step 9a

Open box 3 and drill in the side connecting bracket on the shared sidepanel (B)

(H9) x 1
left
side connecting bracket



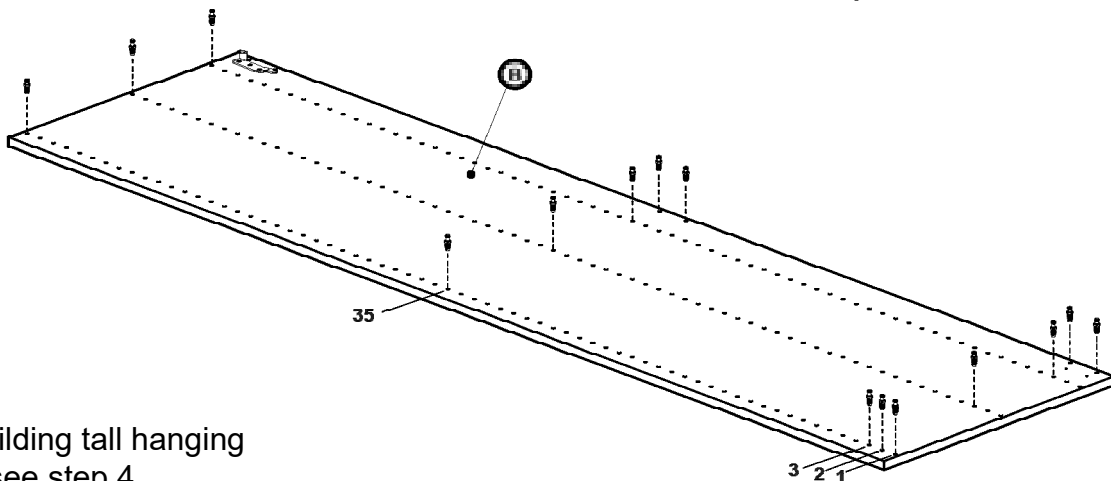
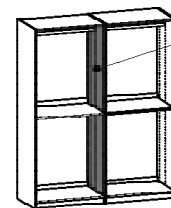
(H5) x 3
3/8" flat-head
screw



Step 9b

Drill in the metal screw dowels on the shared sidepanel (B)

(H3) x 30
metal screw
dowel



when building tall hanging
see step 4



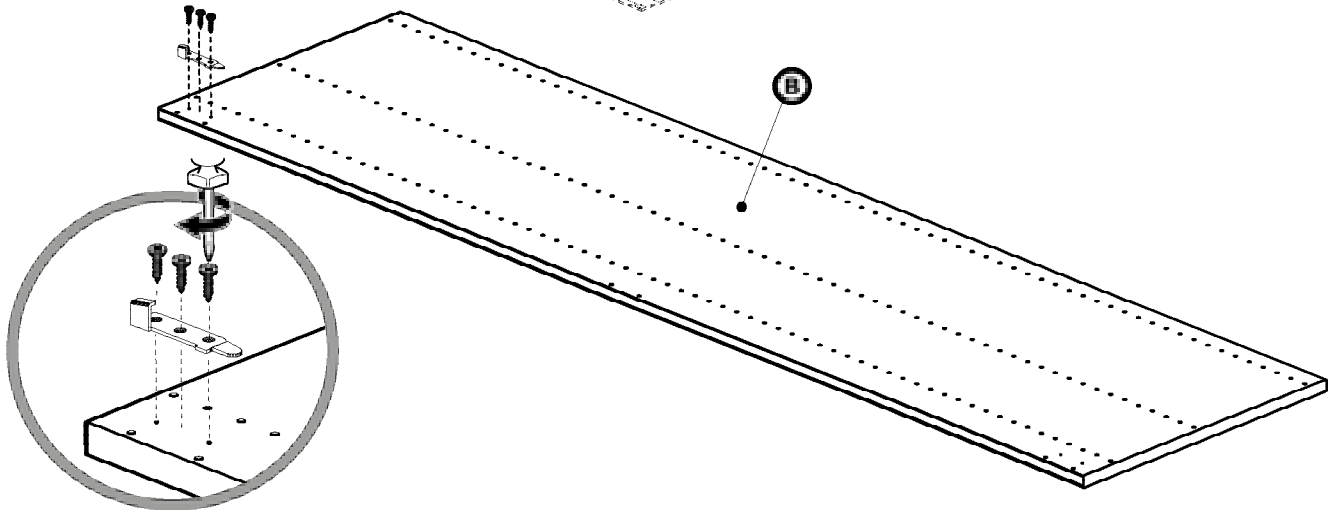
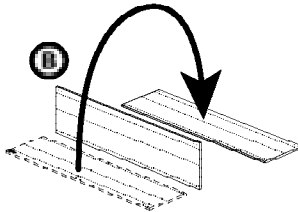
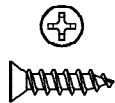
Step 10a

Flip over shared sidepanel and drill right side bracket into shared sidepanel (B)

(H9) x 1
right side
connecting bracket



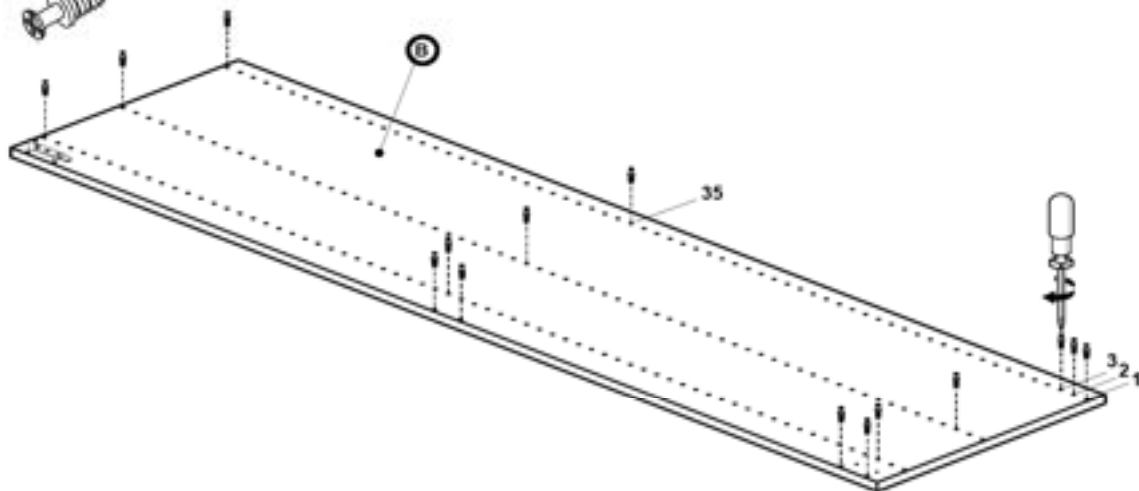
(H5) x 3
3/8" flat-head
screw



Step 10b

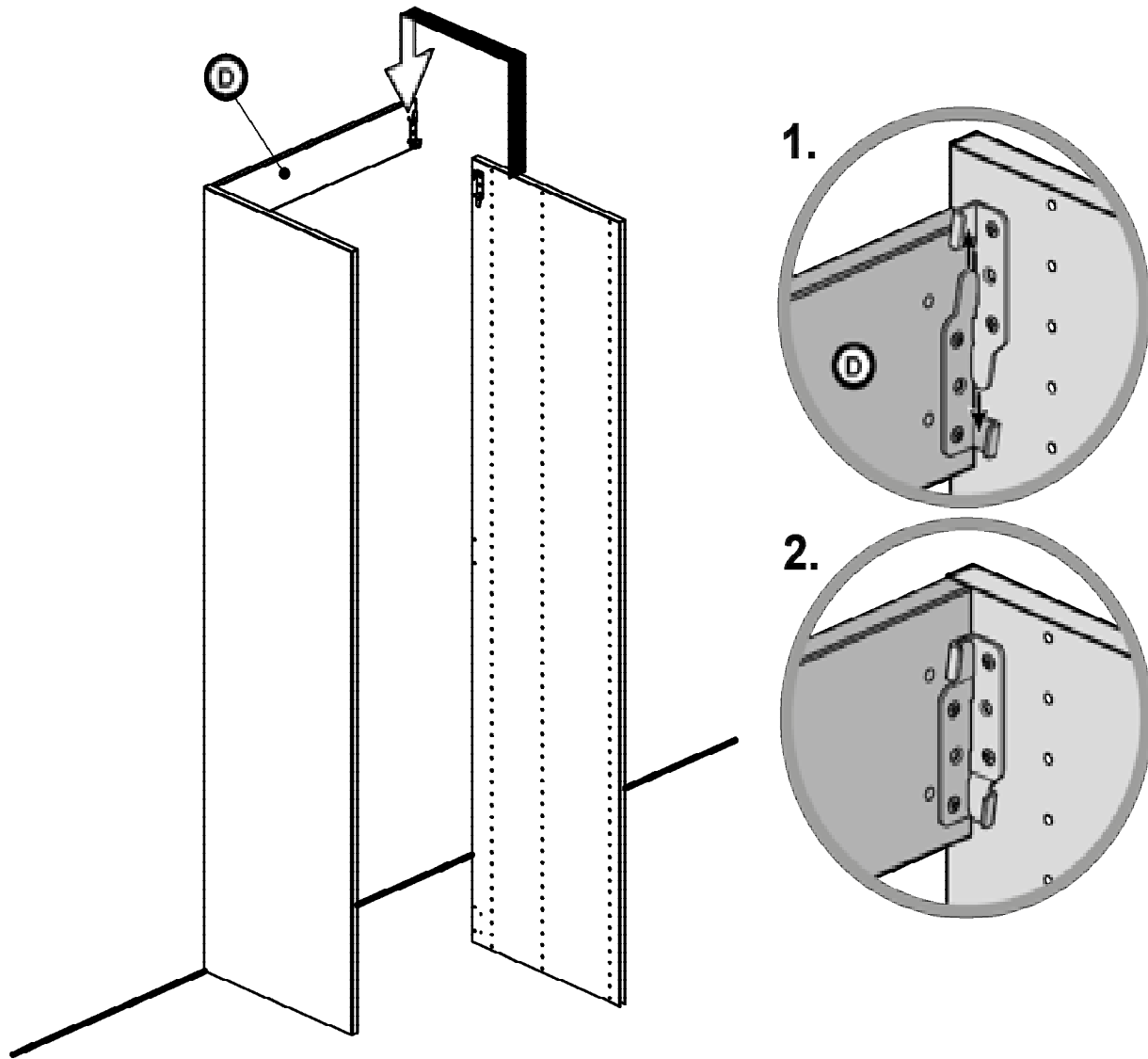
Drill in the metal screw dowels on the shared sidepanel (B)

metal screw
dowel



Step 11

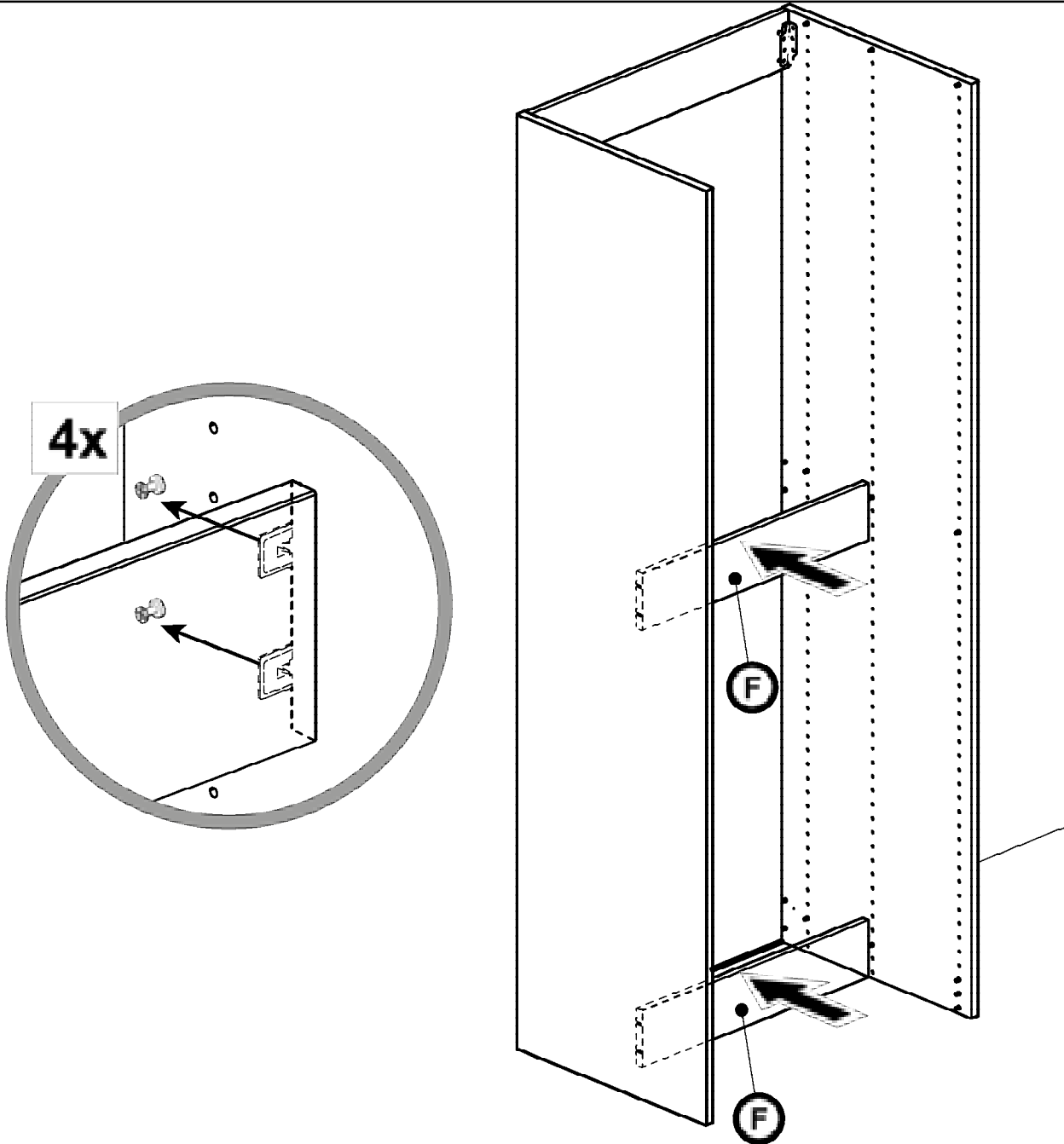
Connect side panel to top back cleat (D) with brackets
 [when building combined units, connect shared sidepanel (B)]





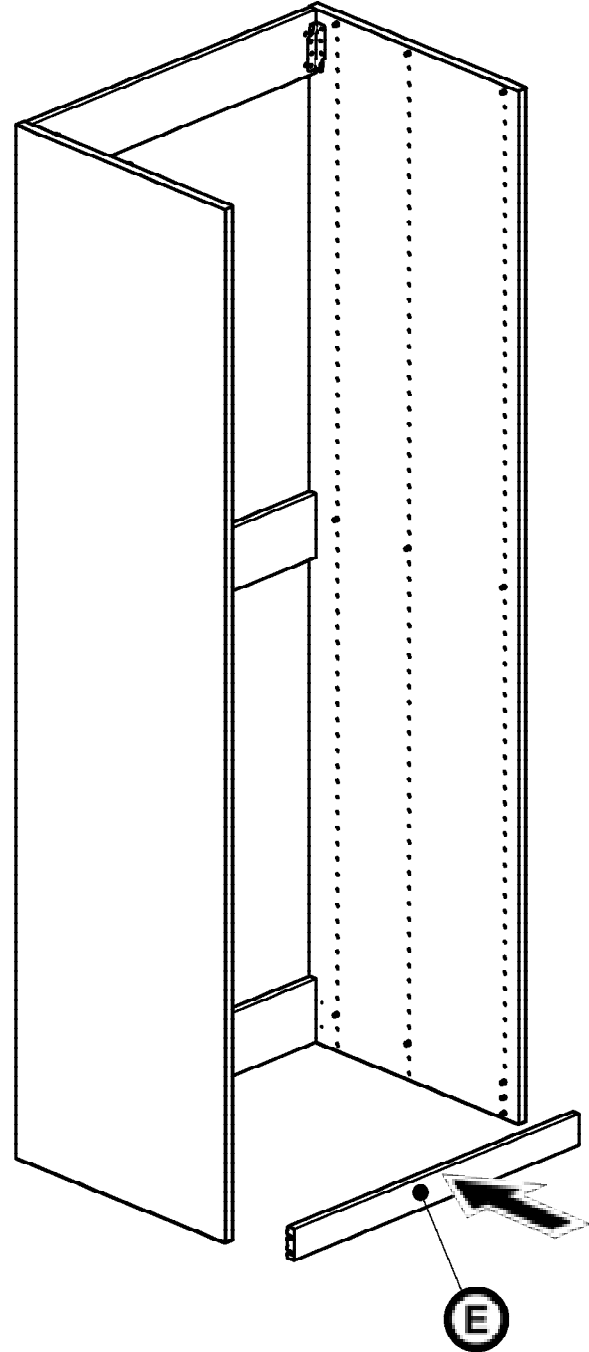
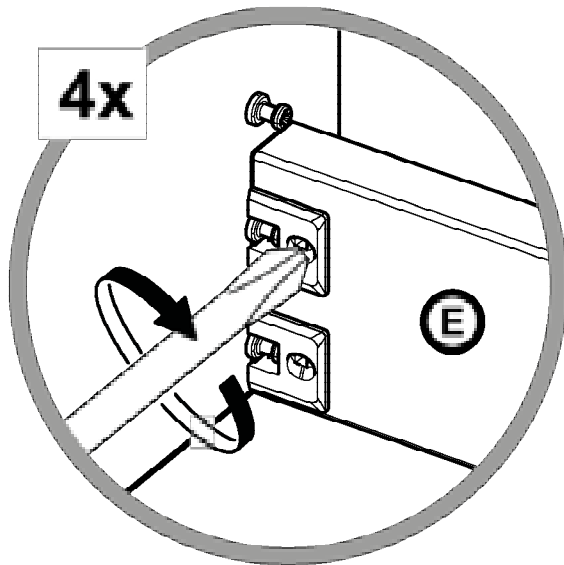
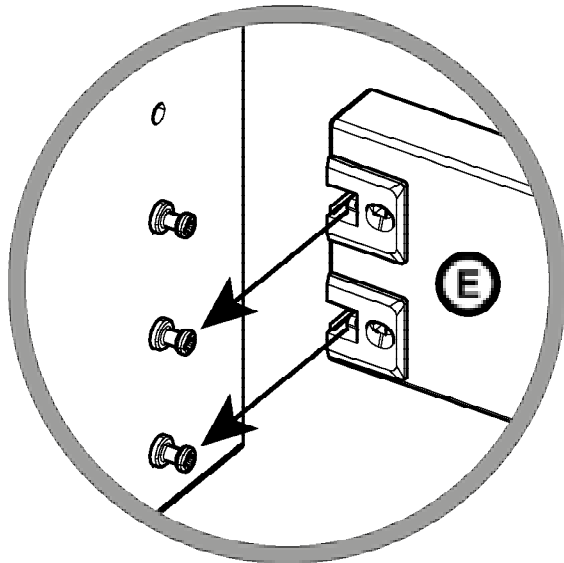
Step 12

Connect back cleats (F) onto the panels - (simply click in the wedgefix in the metal screw dowel as shown)



Step 13

Connect toe kick (E) on the bottom, and then insert a philips screw driver into the hole of the rafix and turn clockwise until toe kick is firmly attached (Repeat for all 4 rafixes as shown)

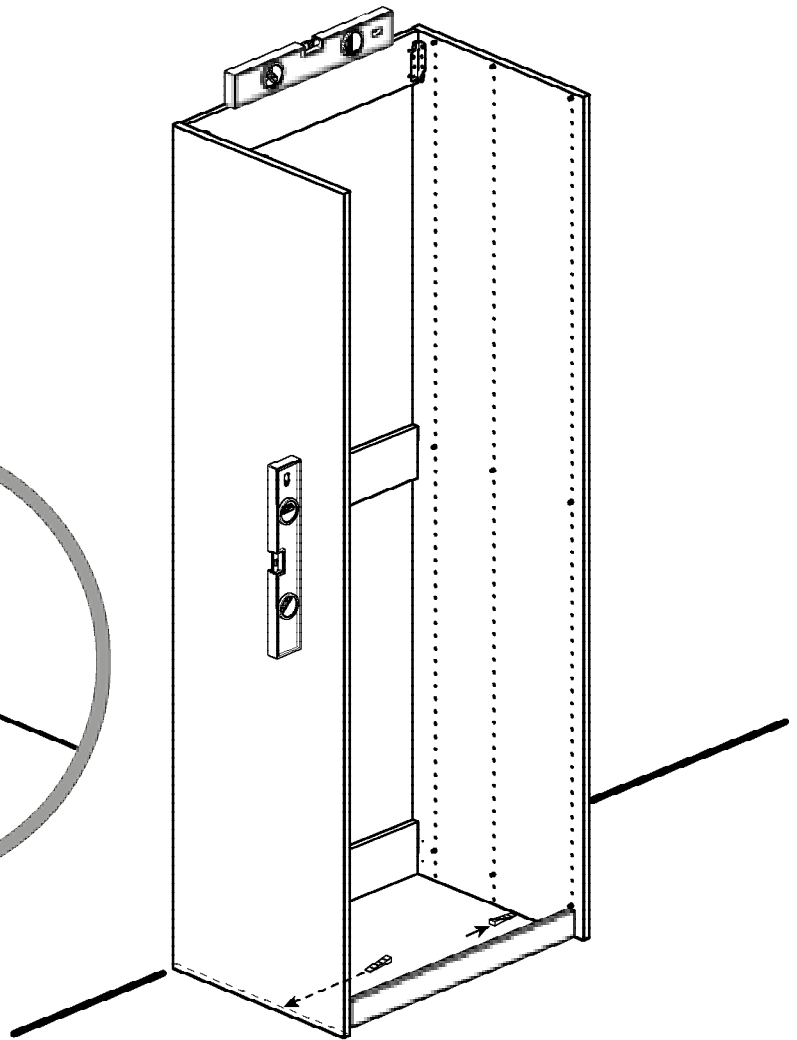
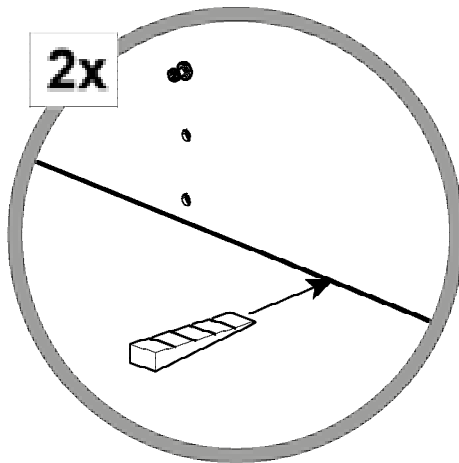
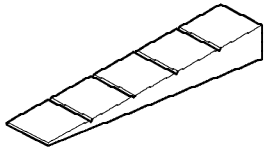




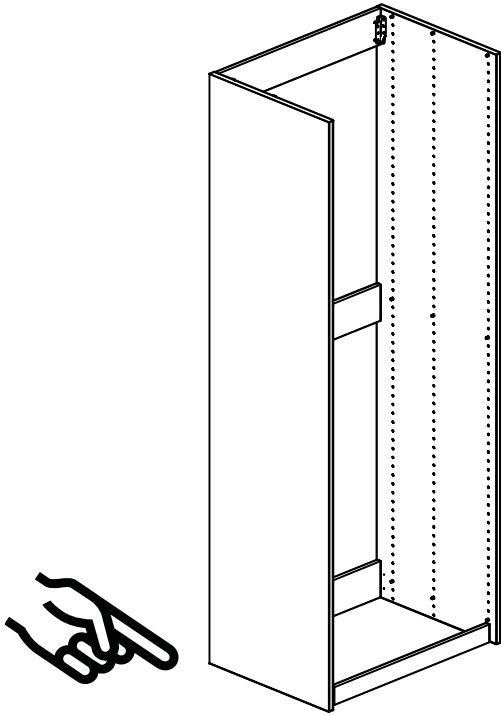
Step 14

Use the leveling wedges to ensure the unit is stable

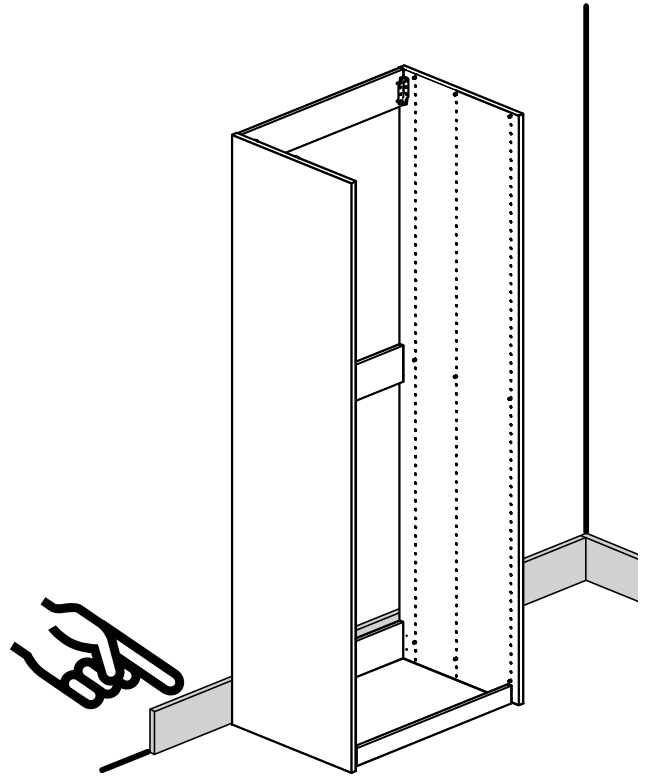
(H4) x 2
leveling wedge



Mounting Cleat #2



Continue to step 15

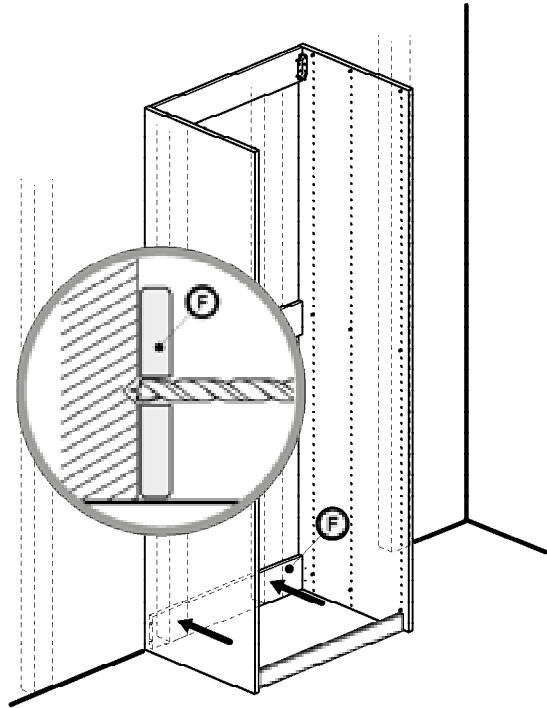


Continue to step 16

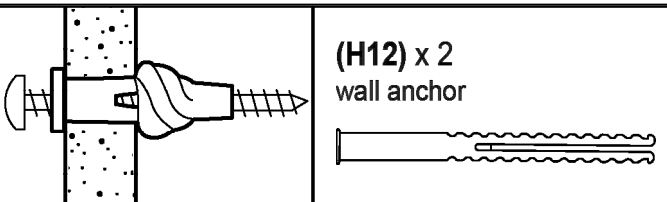


Step 15a

Use a stud finder* to drill 2 pilot holes into the wall through the bottom cleat and stop when you hit the stud

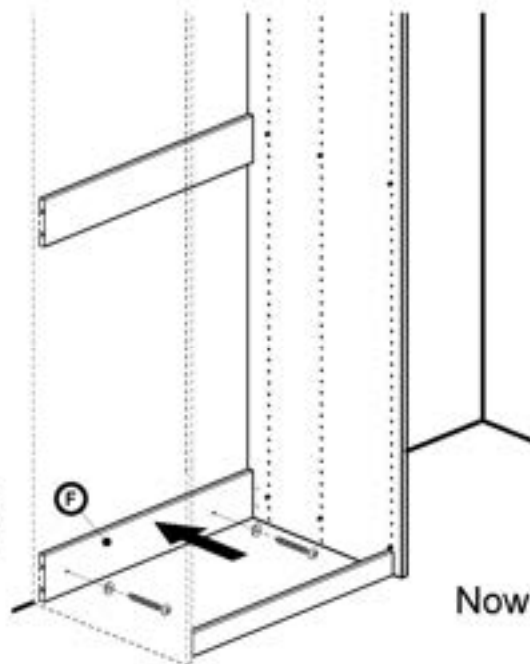
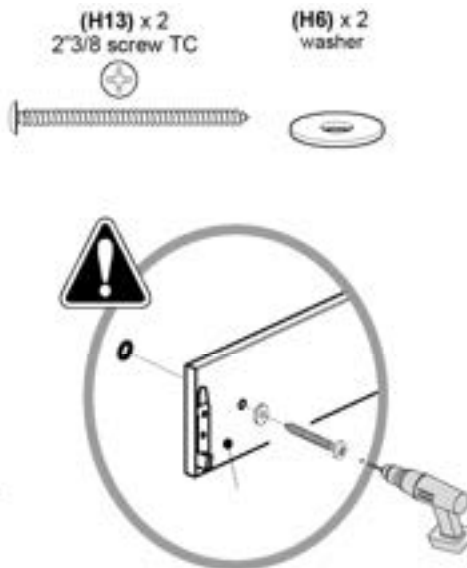


* If using sheet rock put anchors in to the hole in the wall



Step 15b

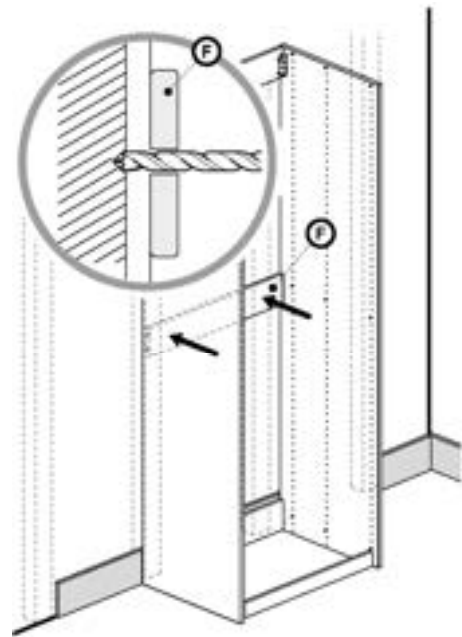
Drill / Drive in the screws through the bottom cleat (F) all the way into the wall



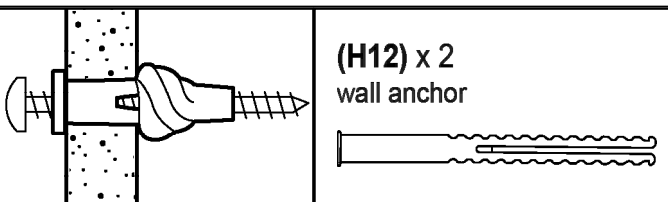
Now skip to step 17

Step 16a

Use a stud finder* to drill 2 pilot holes into the wall through the middle cleat and stop when you hit the stud

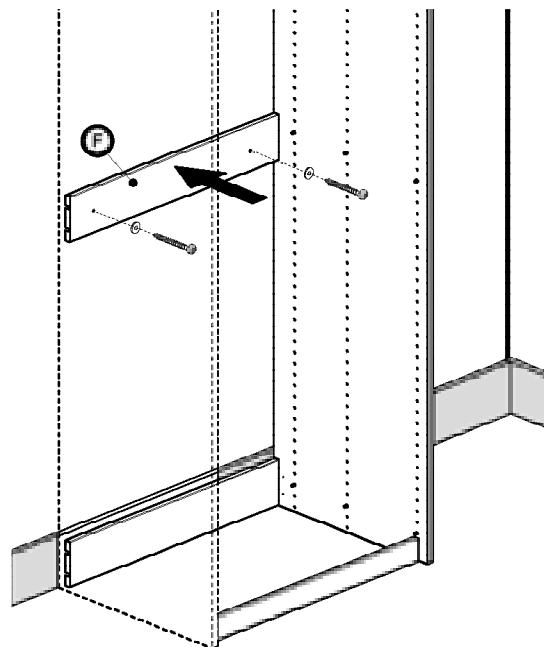
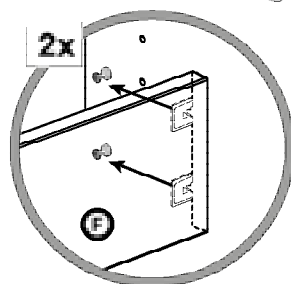
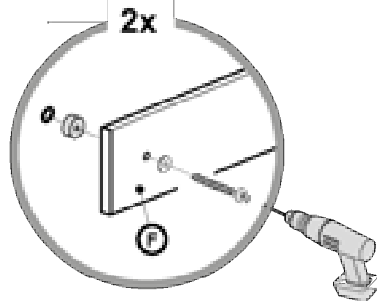
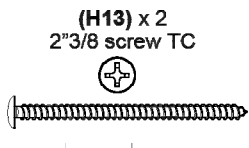


* If using sheet rock put anchors in to the hole in the wall



Step 16b

Drill / Drive in the screws through the middle cleat (F) all the way into the wall

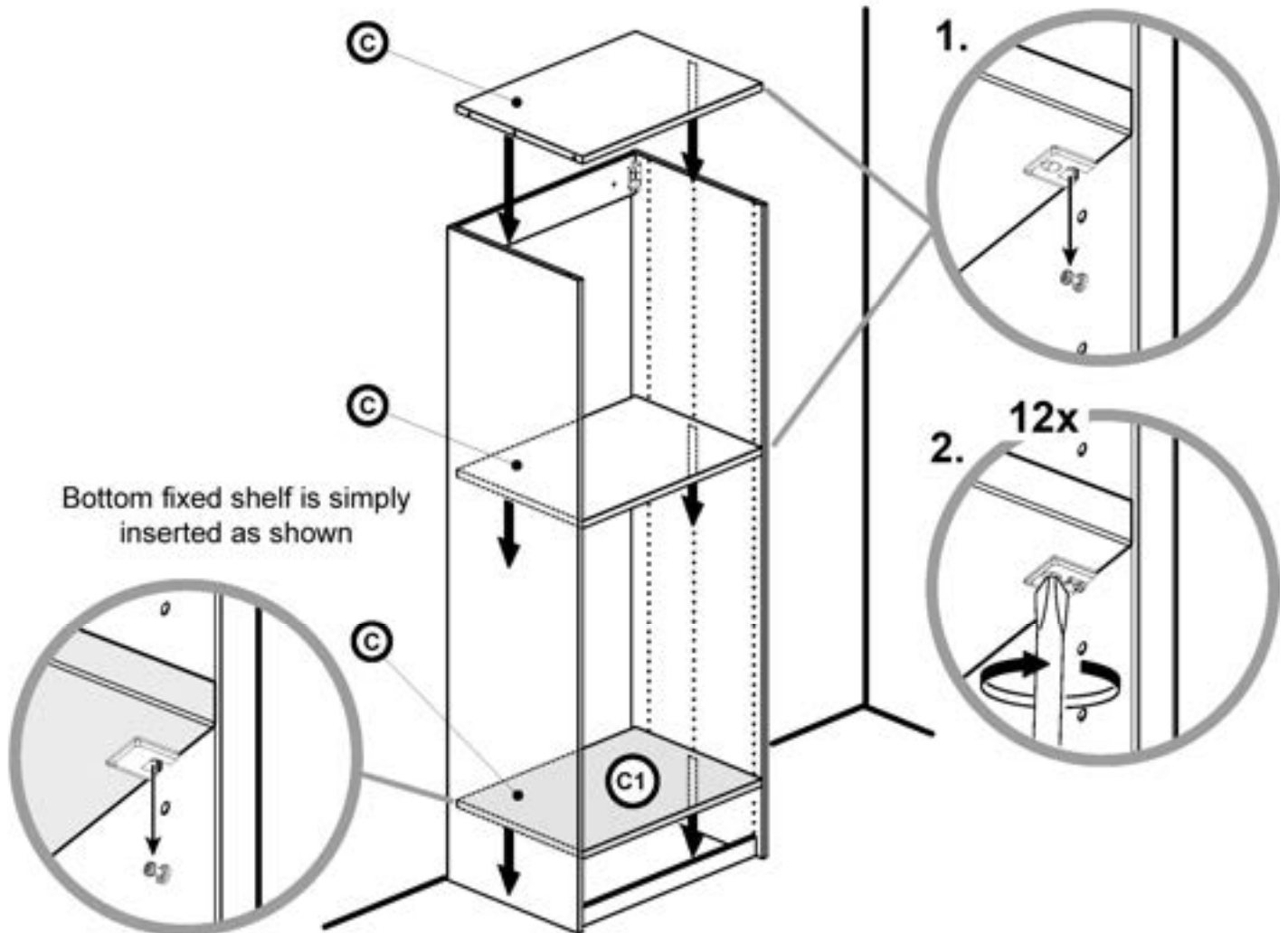




Step 17

Insert and secure the fixed shelves

Top 2 fixed shelves are inserted and then secured as shown



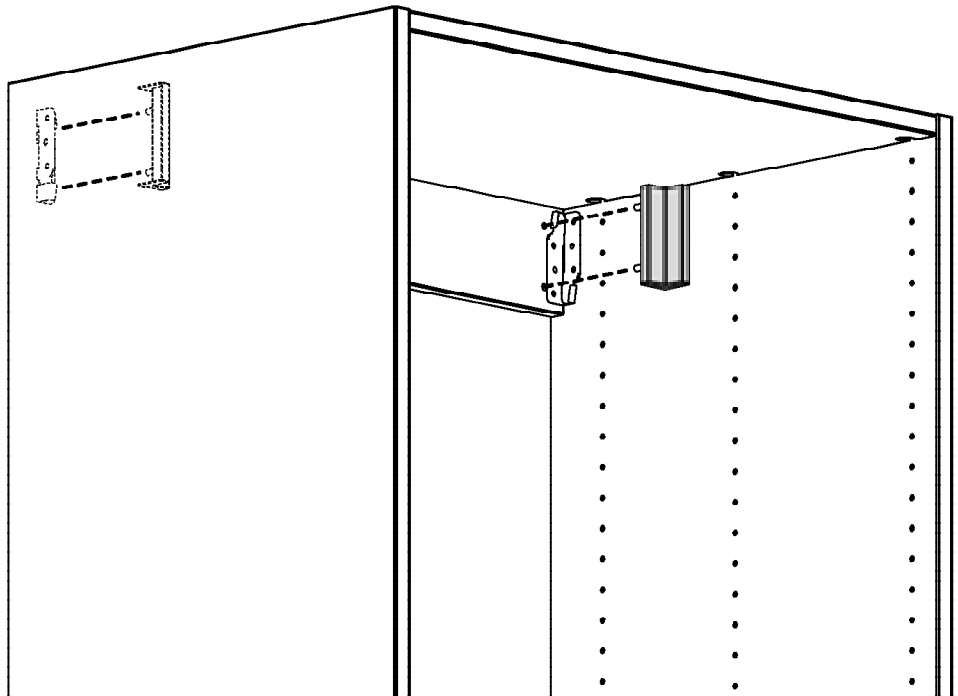
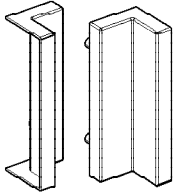
Bottom fixed shelf is simply inserted as shown

when building a tall hanging simply place the middle shelf higher up, where dowels were drilled

Step 18

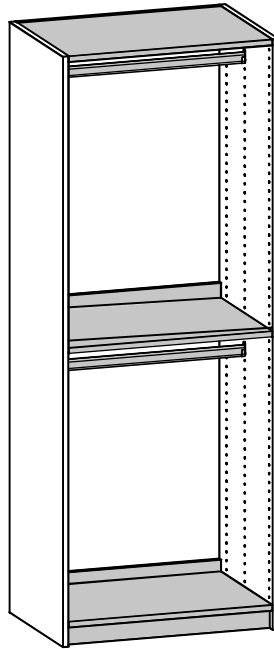
Snap on the bracket cover

(H10) x 1
bracket cover





Single Unit Assembly And Installation Is Now Complete!



For multiple units: Simply repeat the above assembly process for the rest of the units

