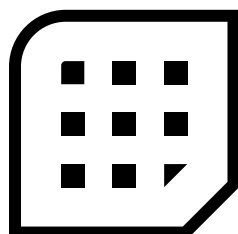
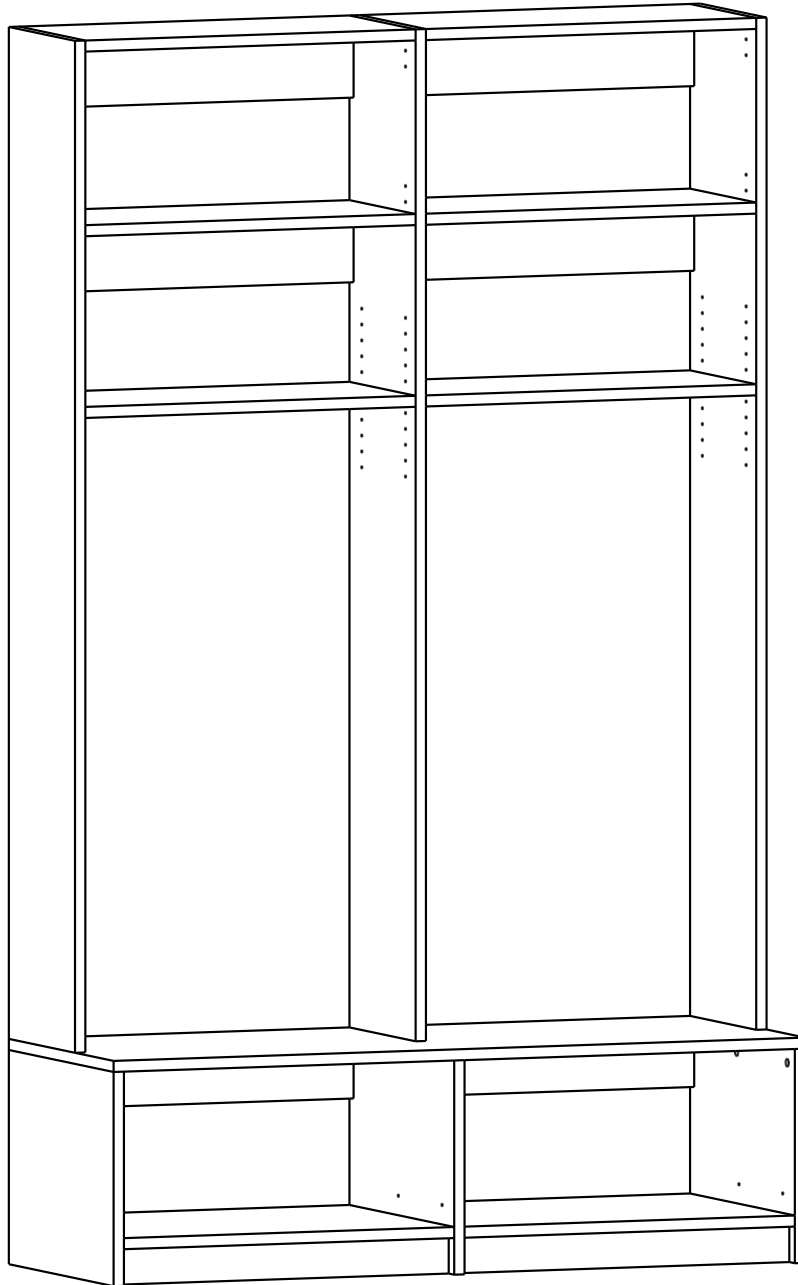


# MUDROOM

## ASSEMBLY INSTRUCTIONS



**modular  
closets.**



Congratulations on your purchase!

For any questions reach out to [support@modularclosets.com](mailto:support@modularclosets.com) or call 844-969-4247

**Thank you for choosing Modular Closets and our Mudroom system!**

We are committed to providing you with a seamless and efficient storage solution that enhances the organization and functionality of your space. Before you embark on assembling your new Mudroom system, we want to emphasize a crucial step to ensure a smooth and successful installation.

**Important: Understanding Your Components**

Before you begin the assembly process, it is essential to familiarize yourself with the components provided in your package. Our Mudroom system includes various boxes containing different parts designated for specific towers. Properly identifying and organizing these components will prevent confusion and streamline the installation.

**What You Need to Do**

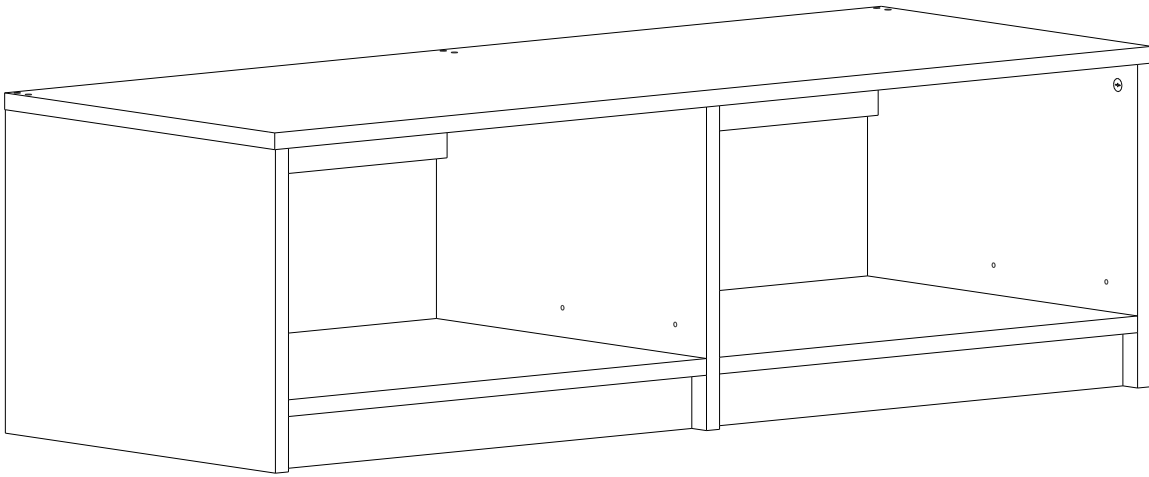
- 1. Inventory Check:** Begin by unpacking all the boxes and verifying the contents against the parts list provided. Ensure that you have all the necessary components and hardware.
- 2. Label and Sort:** Carefully read the labels on each box and sort the components according to the designated towers. This step is critical as it will help you avoid mixing parts that belong to different sections of the closet system.
- 3. Check Sizes:** Verify the sizes of the components against the measurements specified in your design PDF. Ensuring that each part matches the intended dimensions is crucial for a proper fit and installation.
- 4. Reference Your Design PDF:** Use the design PDF provided with your order to map out the correct placement of each component. This document will guide you in matching the parts to their specific locations within the closet system.
- 5. Read the Instructions:** Thoroughly read through the entire instruction manual before starting the assembly. Understanding the overall process and the sequence of steps will save you time and effort.

By taking the time to carefully organize, understand your components, and reference your design PDF, you set the stage for a successful and stress-free installation. We are confident that with a little preparation, you will find the assembly process straightforward and rewarding.

Thank you for your attention to these important details.

**Now, let's get started on transforming your space with your new Mudroom closet system from Modular Closets!**

The bench will be built first in the following steps. On page 20 starts the Upper Assembly. On page 34 starts the drawer boxes. On page 49 starts the doors.

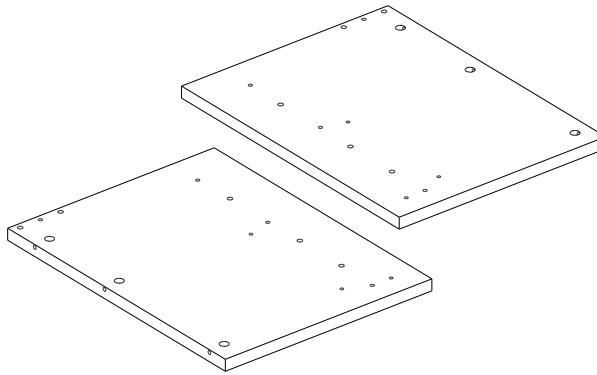




### Boxes Needed

MDR-BSP

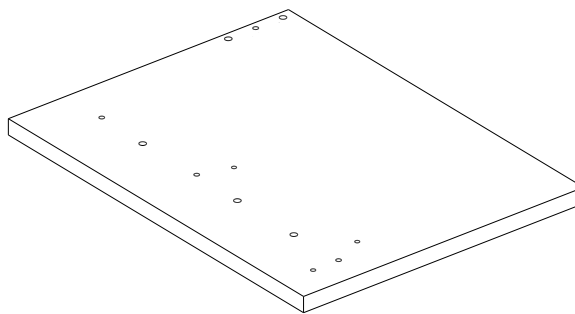
Mudroom bench side panel pack



MDR-BCP

Mudroom Bench Center Panel Pack  
(1 or 2 Pack)

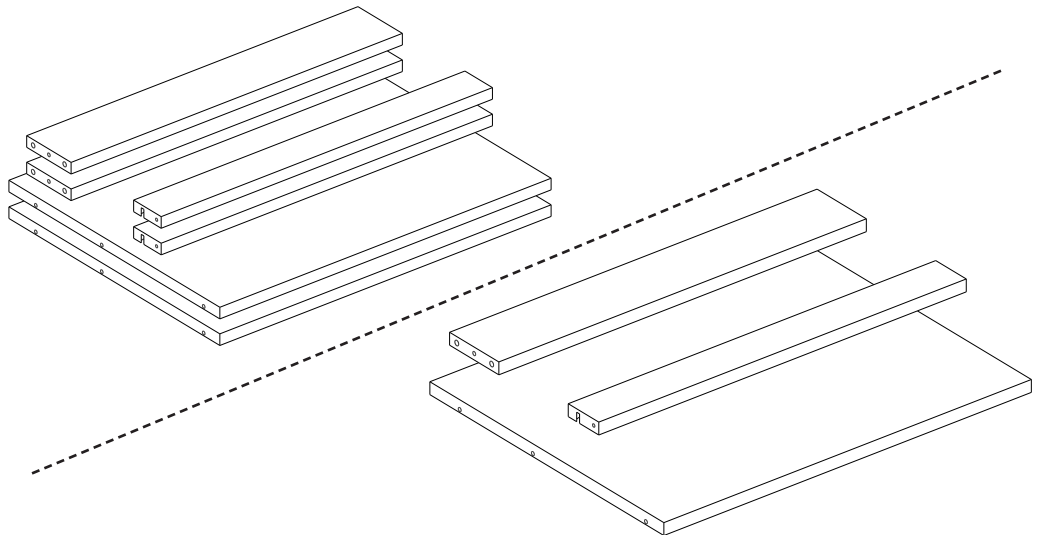
Single pack or double pack or both depending on mudroom size



MDR-BFS

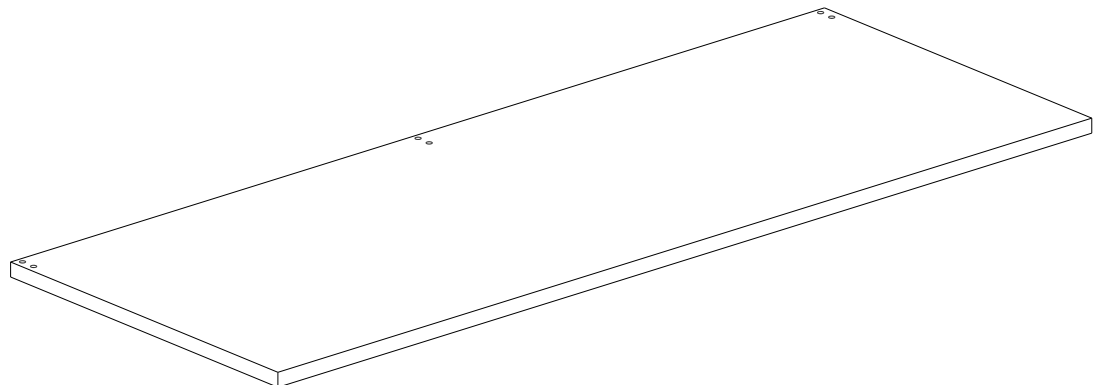
Mudroom Bench Shelf Pack

Single pack or double pack or both depending on mudroom size

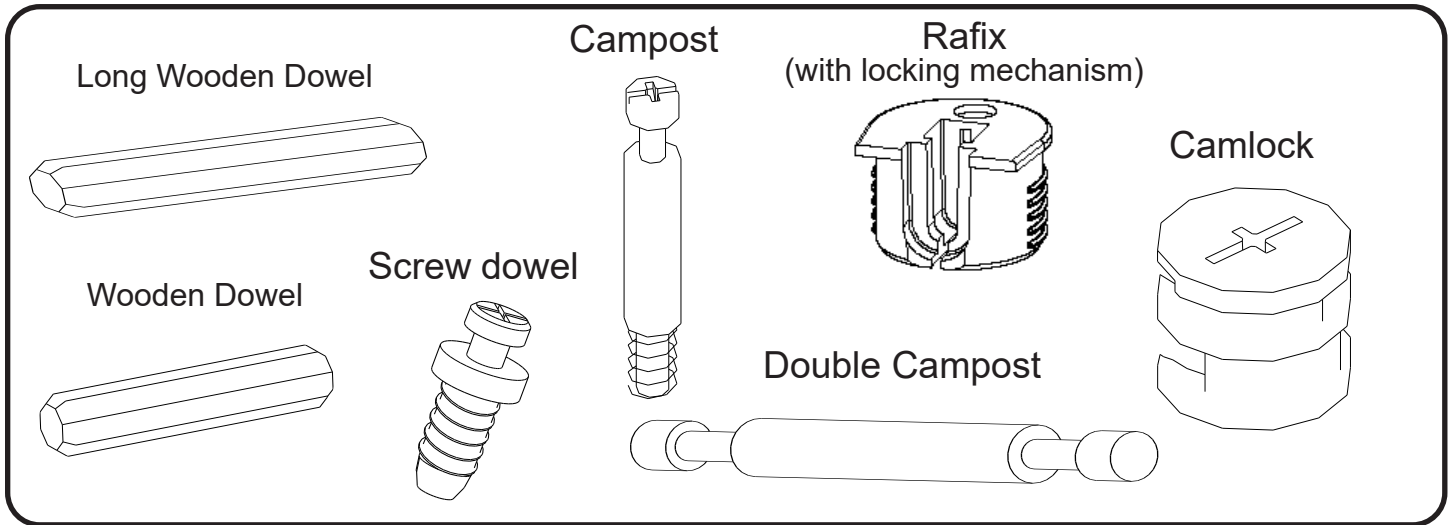


MDR-MBT (BTP)

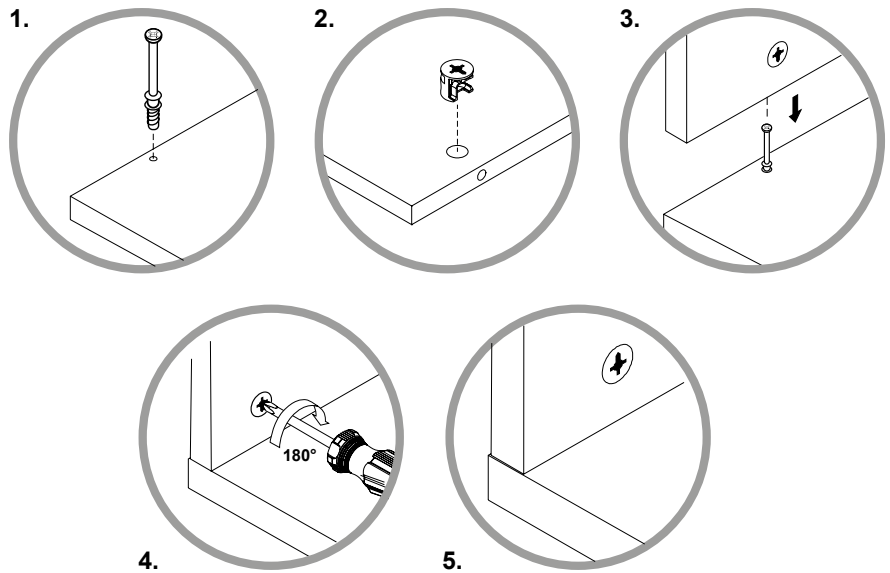
Mudroom Top



Hardware Packs Needed  
HRDP-MDR



How to use the Cam lock system:

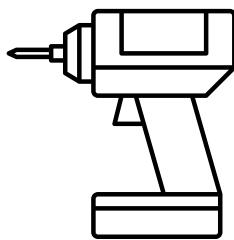


Tools needed

Rubber mallet



Drill



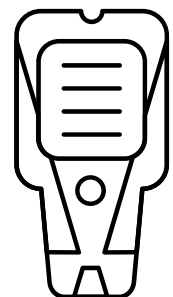
Level



Philips screw driver



Stud finder



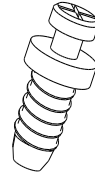
2 person assembly suggested



### Step 1

From Box MDR-BSP take the bench side panels and insert the hardware as shown.

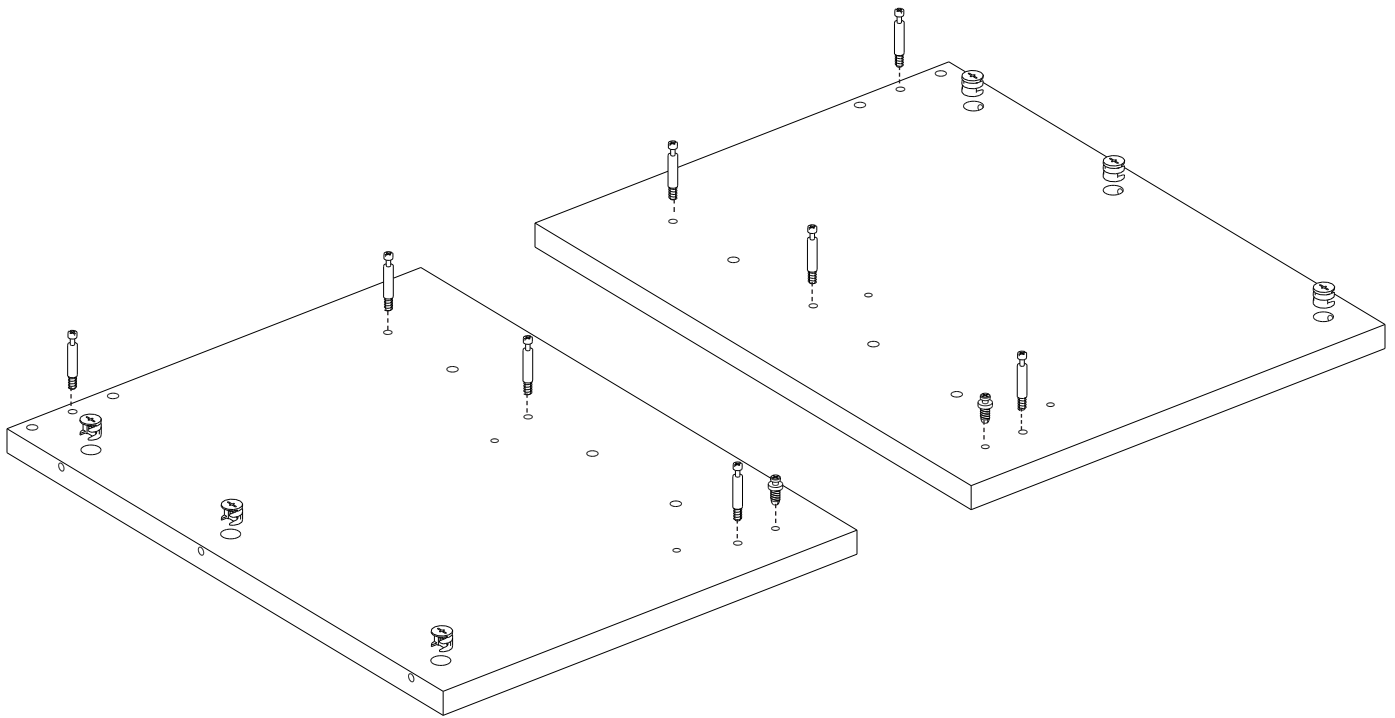
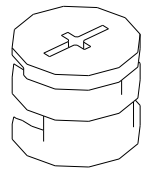
Screw Dowel



Campost

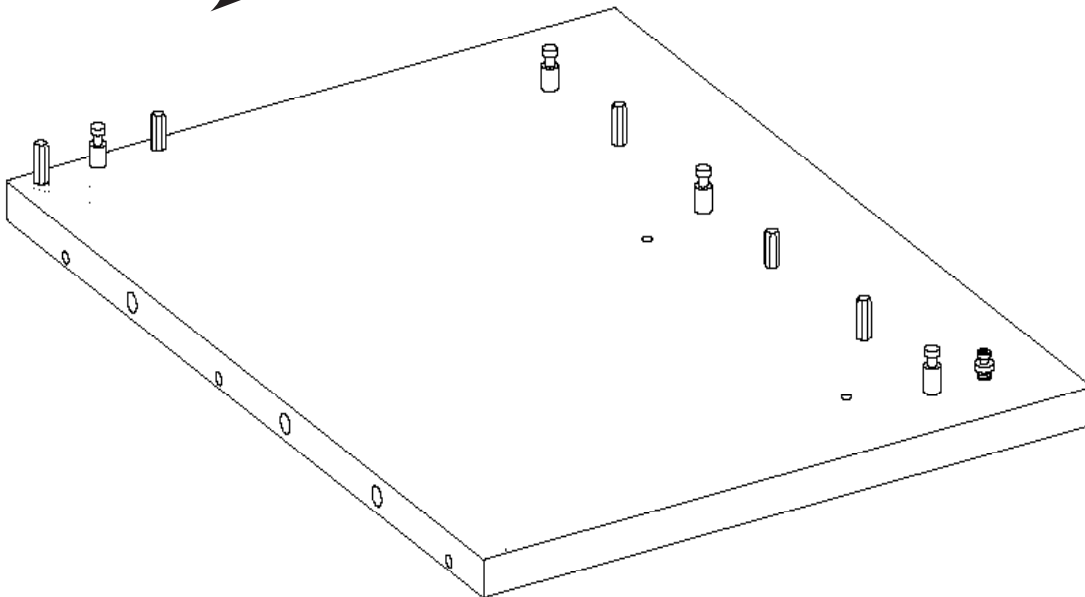
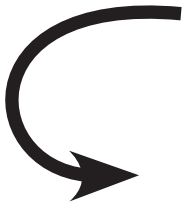
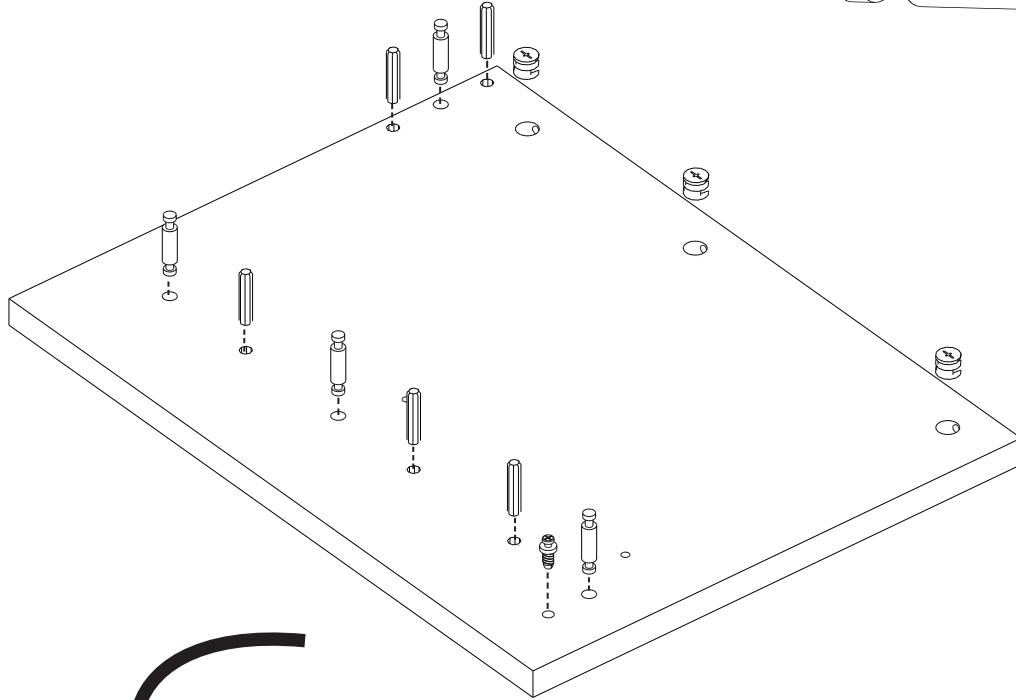
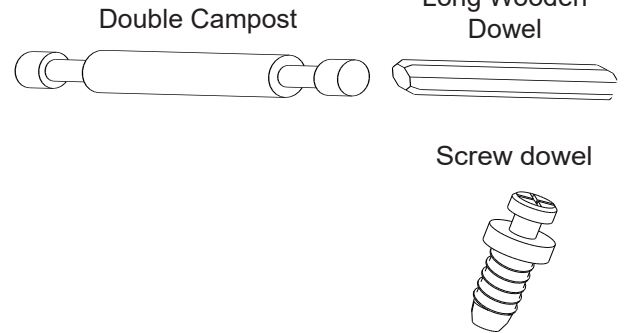


Camlock



## Step 2

For all center panels in boxes MDR-BCP insert the double camposts and longer wood dowels until about halfway. Insert the screw dowel. Flip over and insert second screw dowel.



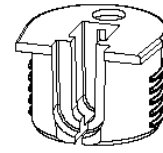
Please ensure to measure both supplied wooden dowels against each other to make sure you are using the correct 'longer' variant here. Please mark and set aside the shorter dowels for a future step.



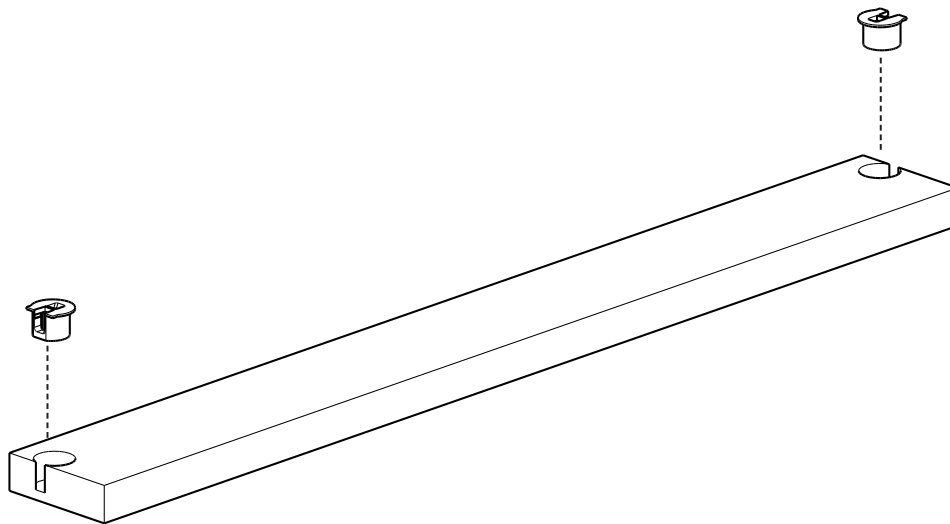
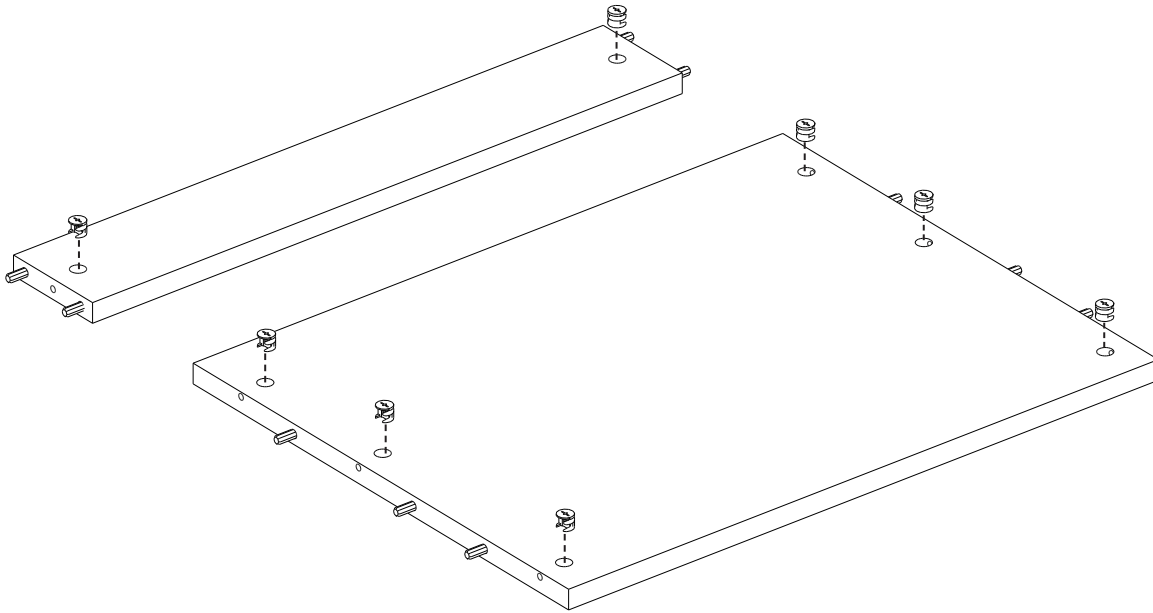
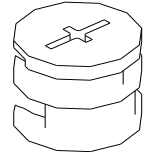
### Step 3

From the box MDR-BFS, insert camlocks in to the shelves and cleats, and rafixes into the toekicks.

Rafix



Camlock

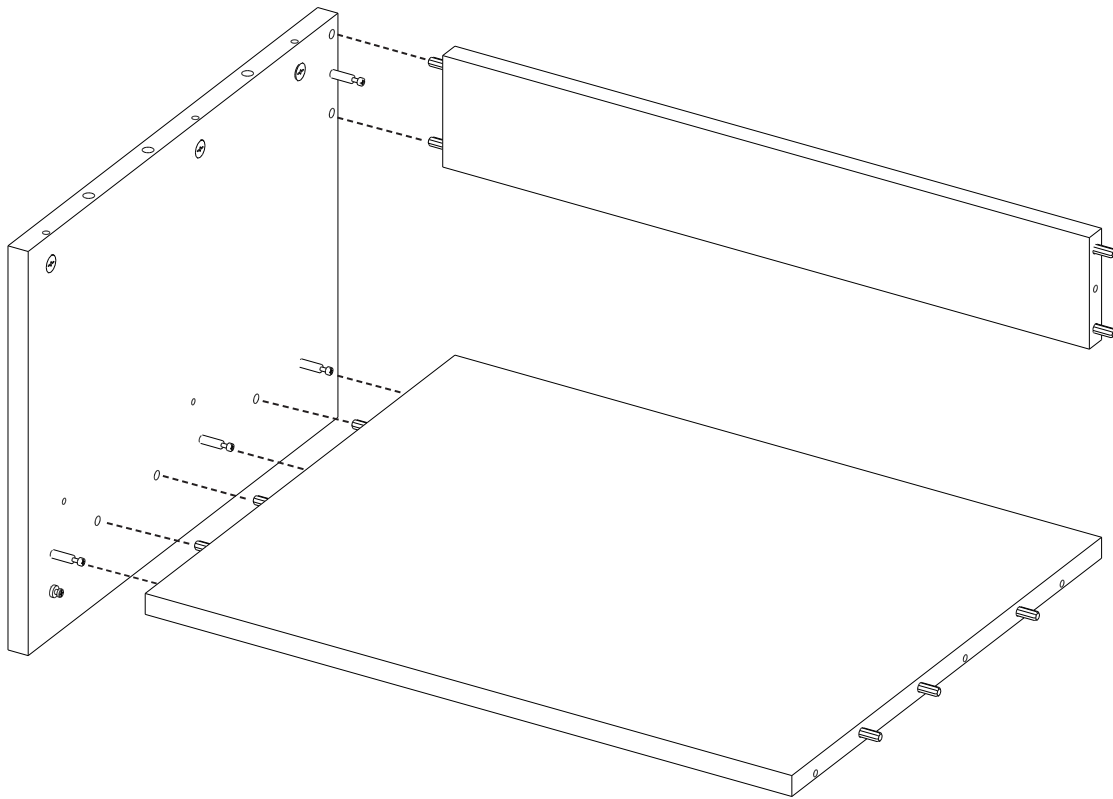


**Repeat Steps 2-3 for all the Mudroom Bench Shelf packs**



## Step 4

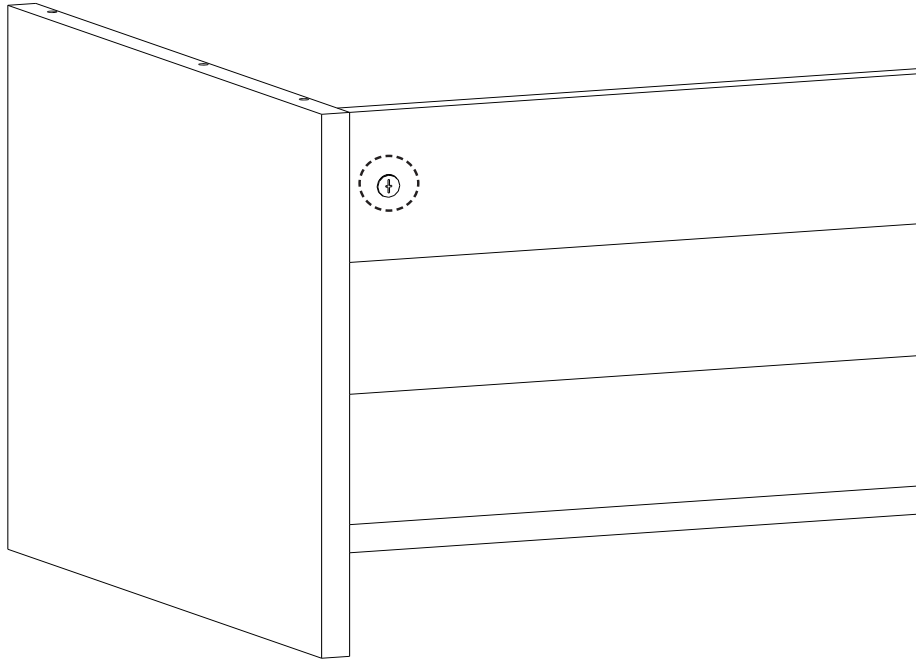
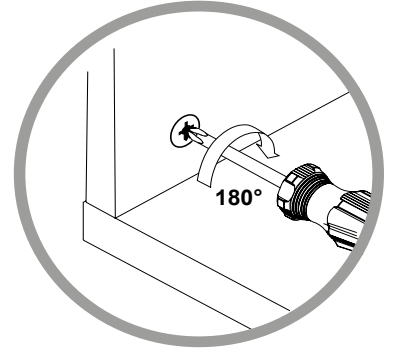
Connect the cleats and shelves to the left side panel.





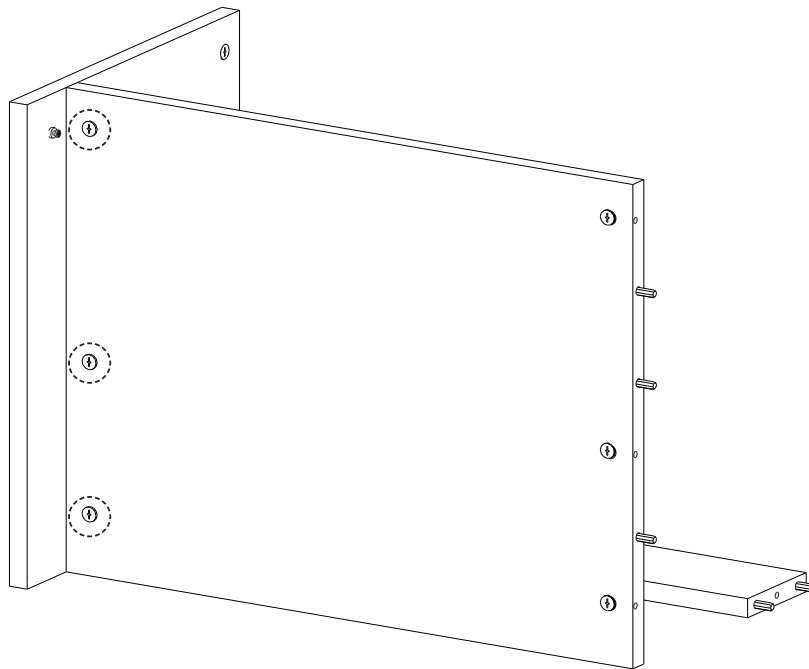
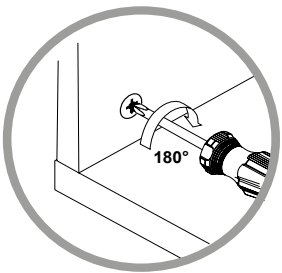
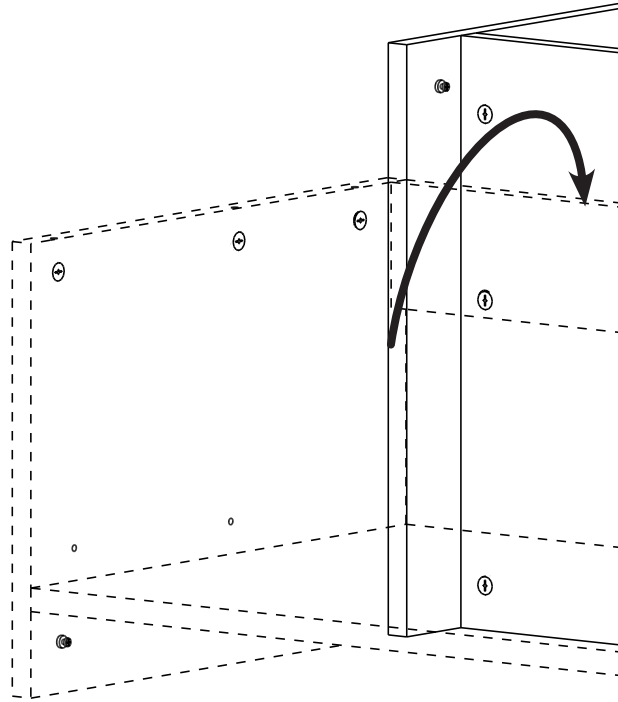
### Step 5

Tighten the camlock from the back of the unit.



## Step 6

Carefully, flip the unit to the side and tighten the camlocks on the underside. (We recommend you line your floor to prevent scratches.)



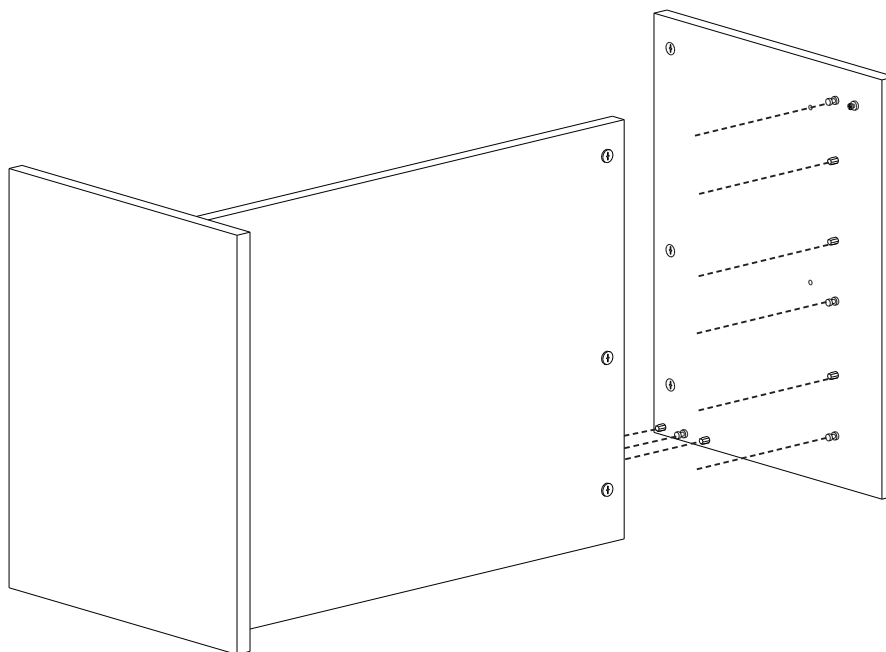
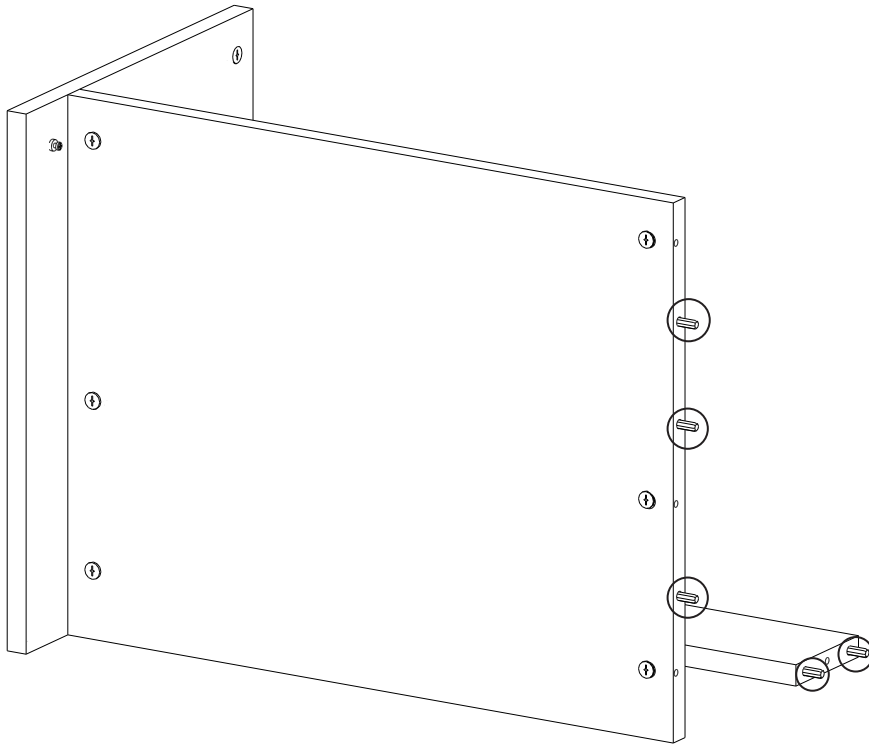
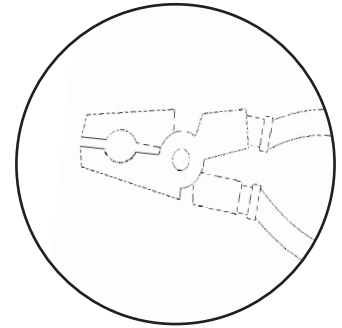
**For Center Panels continue to step 7, for Side Panel continue to step 10.**



### Step 7

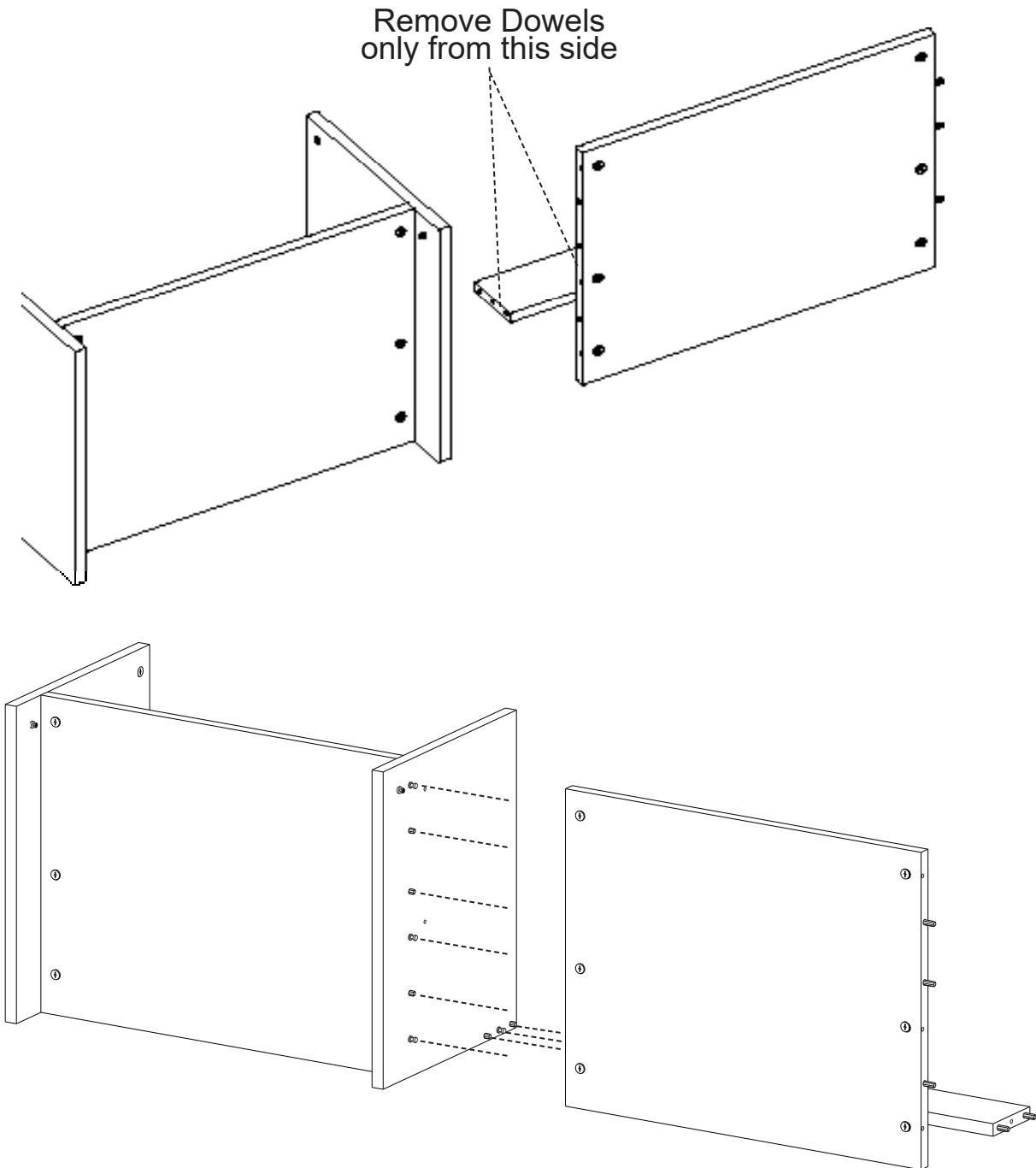
Remove the pre-installed wooden dowels from cleat and shelf. Once removed, connect the center panel to the shelf and cleat.

**Note:**  
The use of pliers  
might be necessary  
to remove the default  
dowels



### Step 8

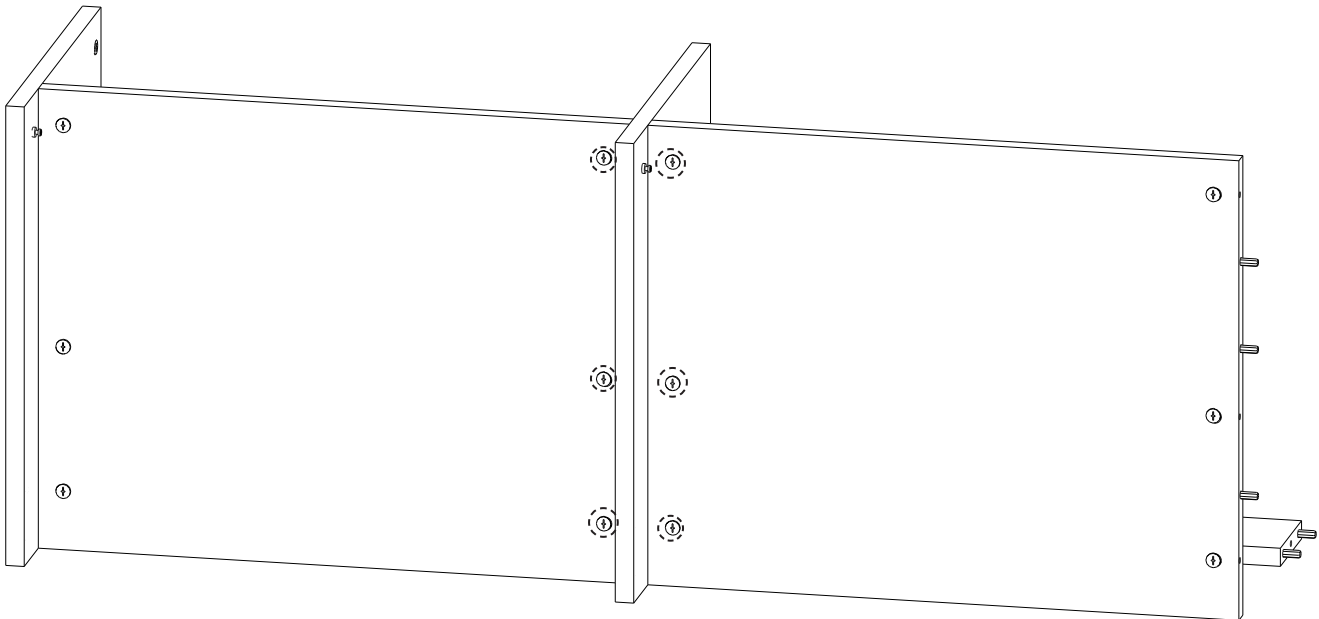
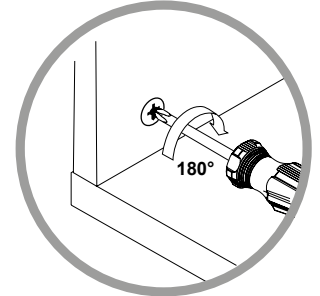
After removing the pre-installed dowels on one side, connect a shelf and cleat to the center panel. Do not remove any dowels from the other side of the cleat and shelf unless connecting to another center panel.





### Step 9

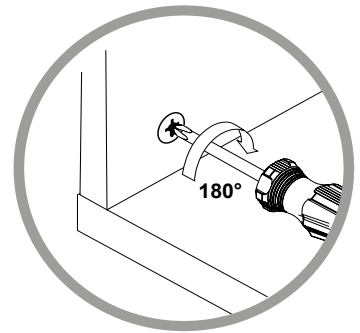
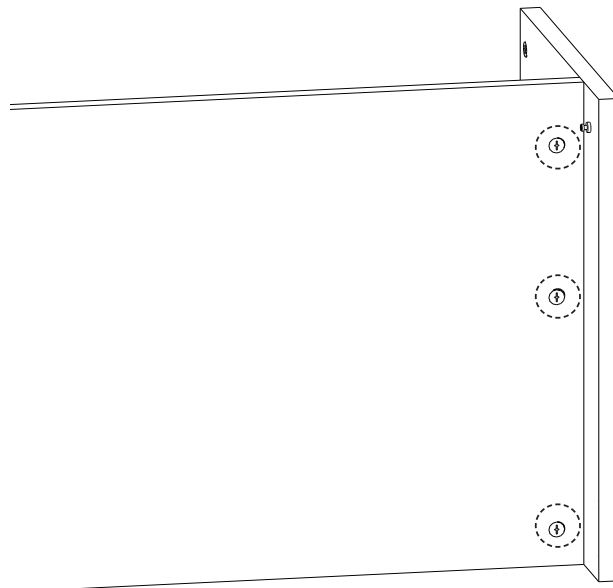
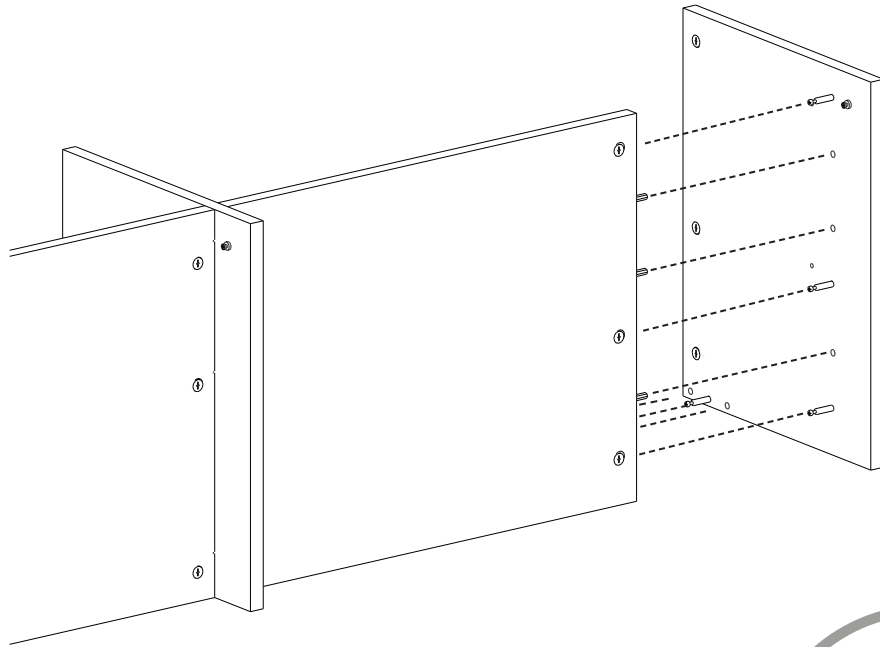
Tighten the camlocks from the underside



Repeat steps 7-9 for each Center Panel.

### Step 10

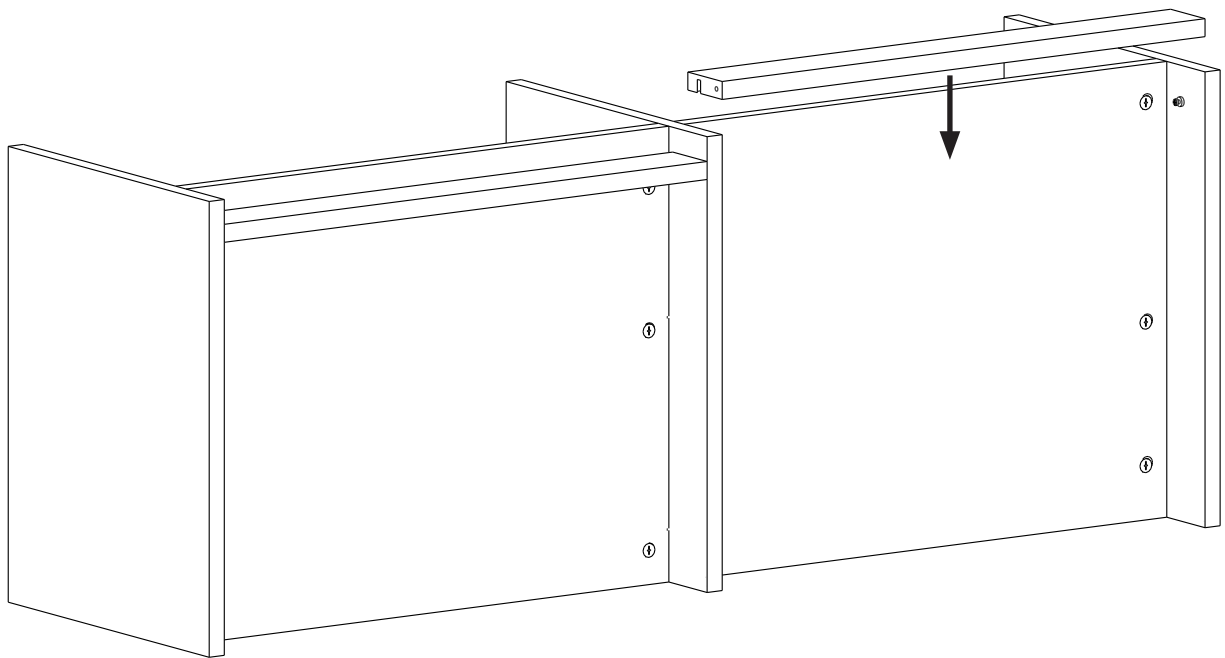
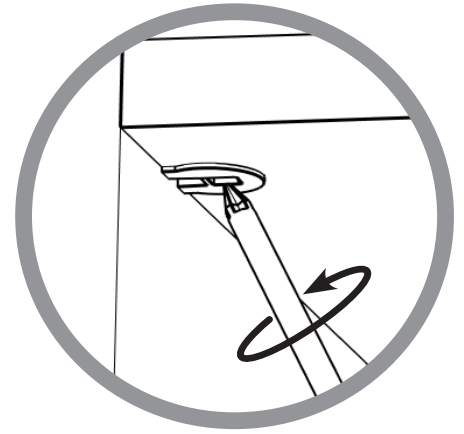
Connect the right side panel and tighten the camlocks.





### Step 11

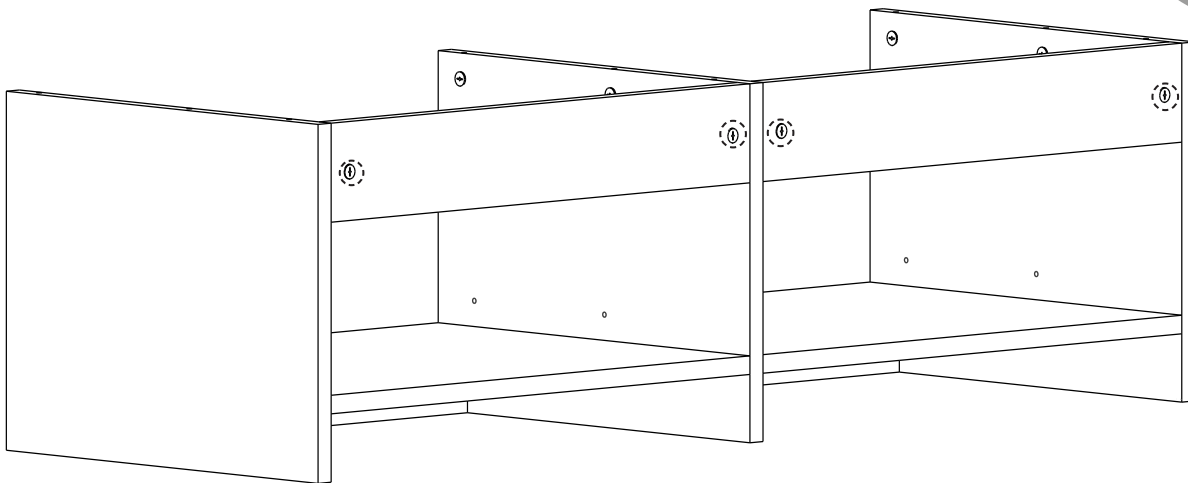
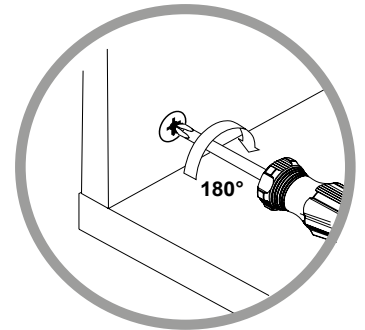
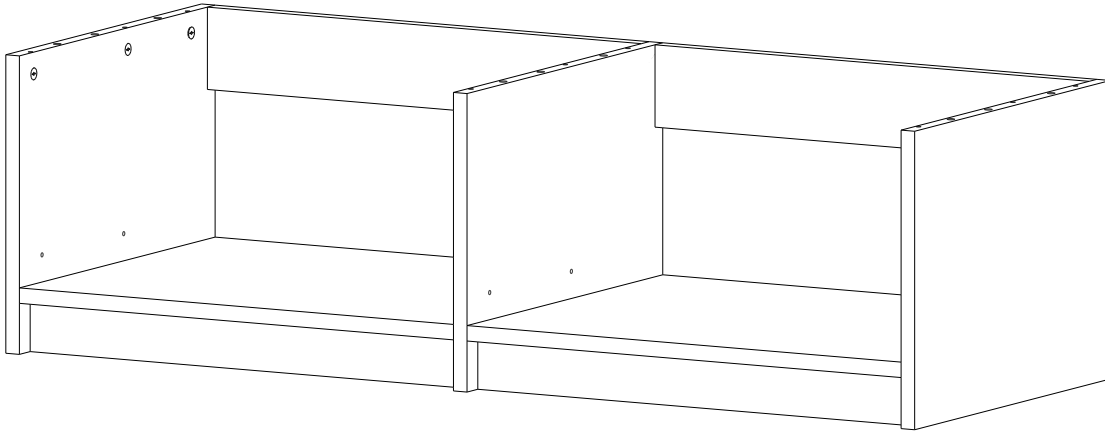
Connect the toe kicks to the screw dowels, then tighten the rafixes shown.





## Step 12

**Very carefully**, flip the unit back upright and then tighten the camlocks for the cleats in the back





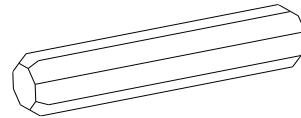
### Step 13

Insert the hardware into the bench top

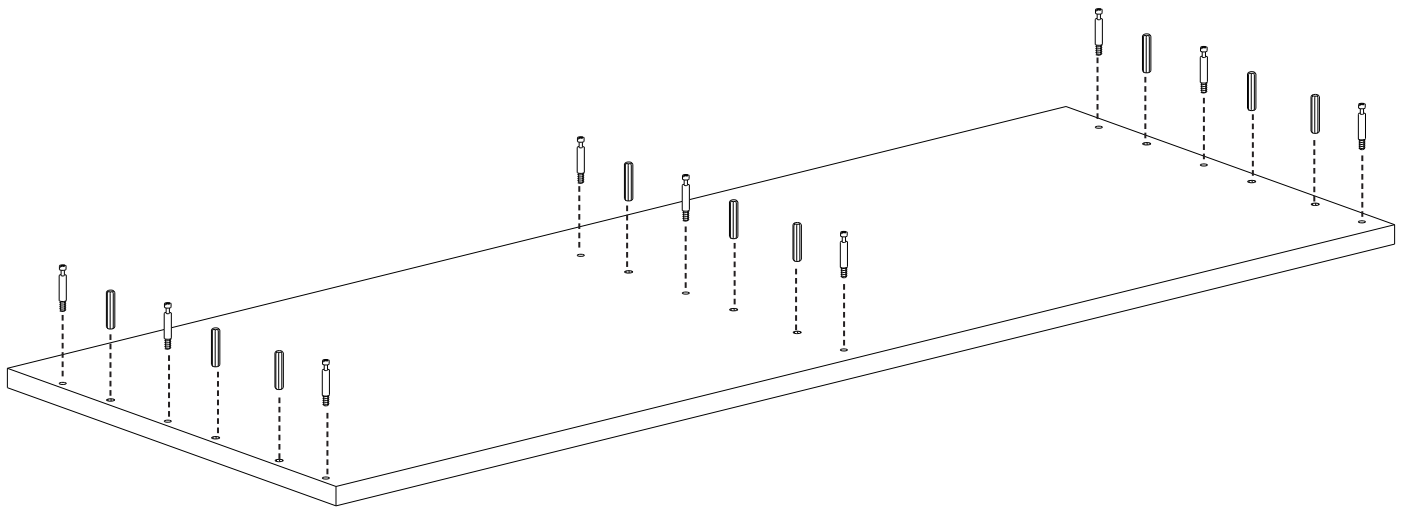


This step requires the 'shorter' wooden dowels previously set aside. Please ensure you are using the correct size variant for this step.

Wooden Dowel

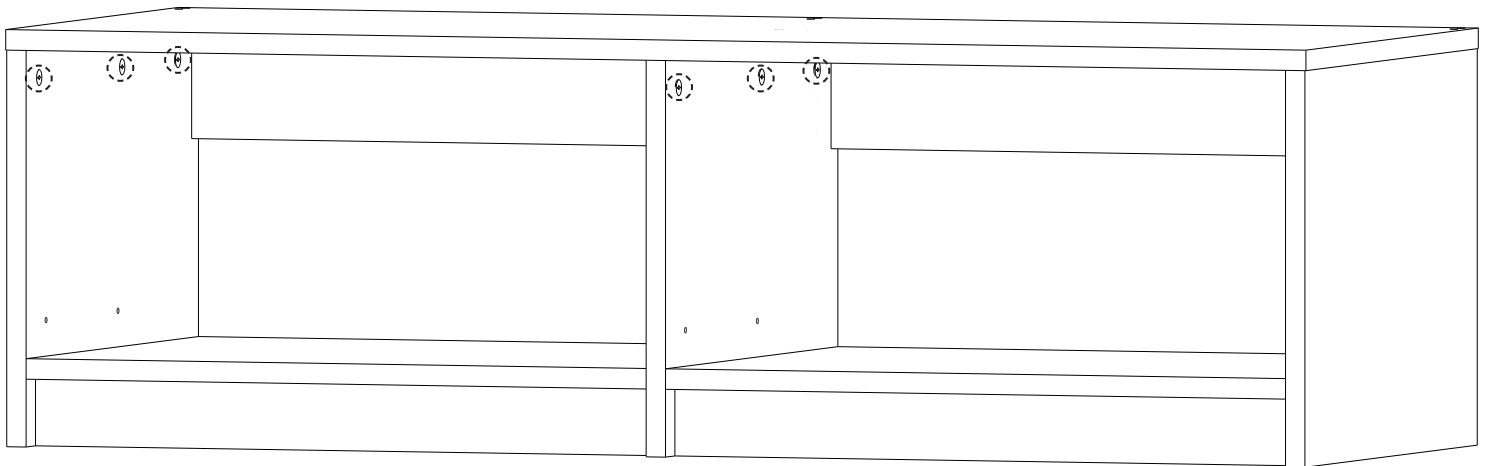
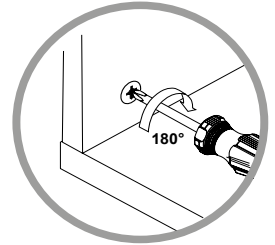
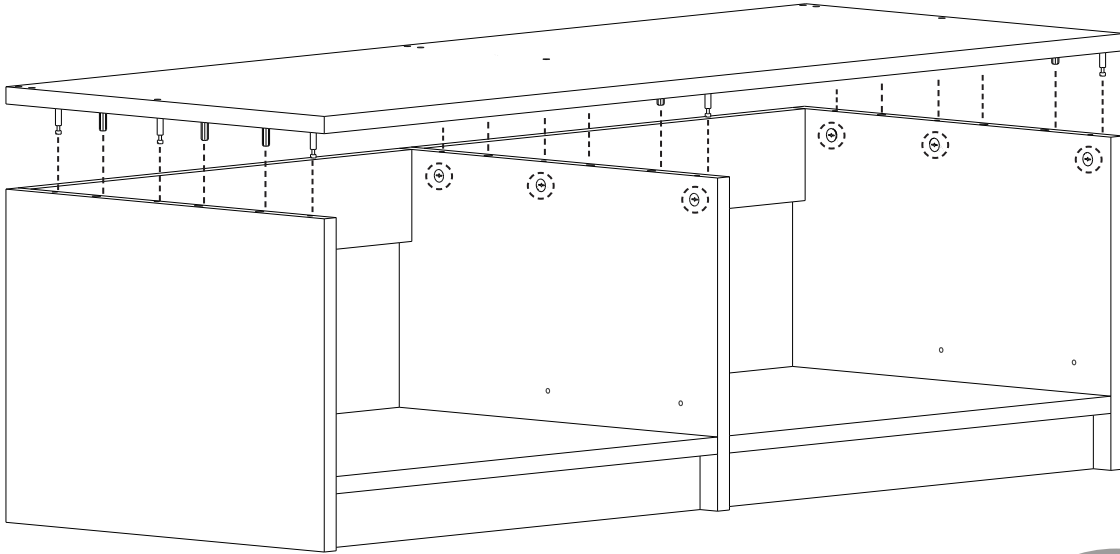


Campost

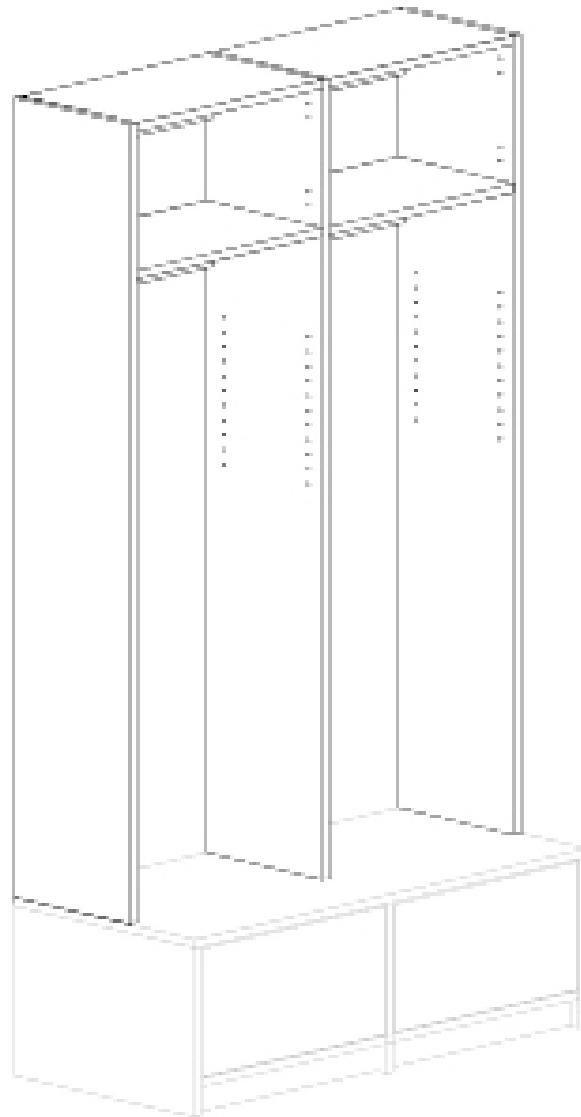


## Step 14

Flip over and insert, then tighten the camlocks shown.



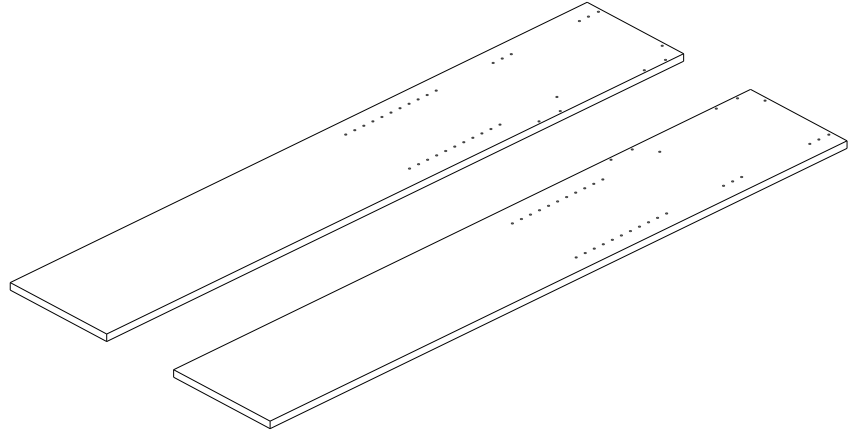
The upper shelves assembly will begin now



### Boxes Needed

MDR-USP

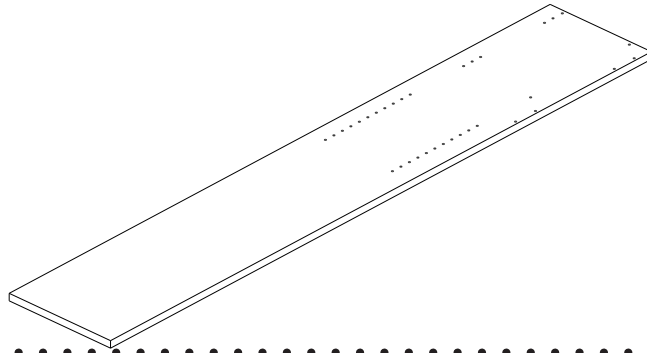
Mudroom Upper side  
panel pack



MDR-UCP

Mudroom Upper Center Panel  
Pack(1 or 2 Pack)

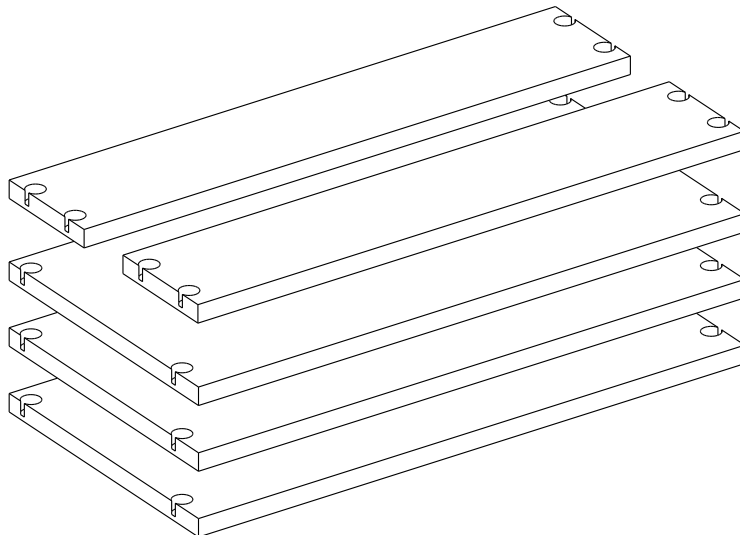
Single pack or  
double pack or  
both depending on  
mudroom size



MDR-UFS (19.5 / 25)

Mudroom Upper Shelf  
Pack-(19.5" / 25")

Single pack or  
double pack or  
both depending on  
mudroom size



### Tools needed

Philips screw driver



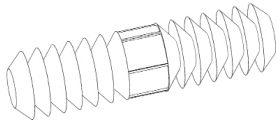
Rubber mallet



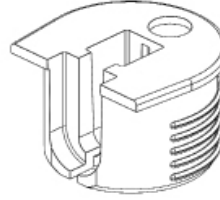


Hardware Packs Needed  
HRDP-MDR

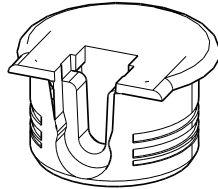
OVVO Dowel



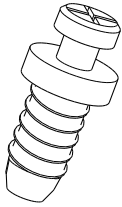
Rafix  
(with locking mechanism)



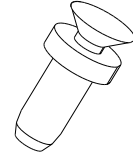
Wedgex



Screw Dowel



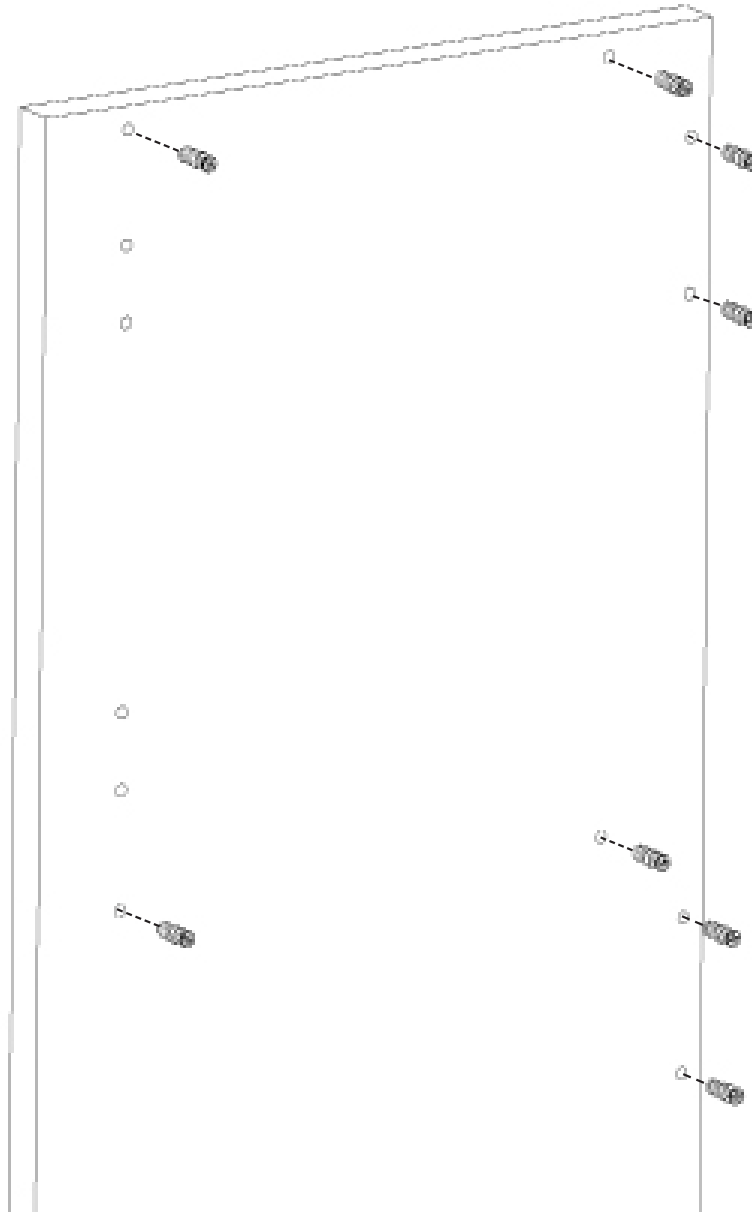
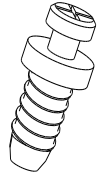
Push Dowel



### Step 1

Insert hardware into Side Panels and Center Panels. Use the screw dowel in the spots shown.

Screw Dowel

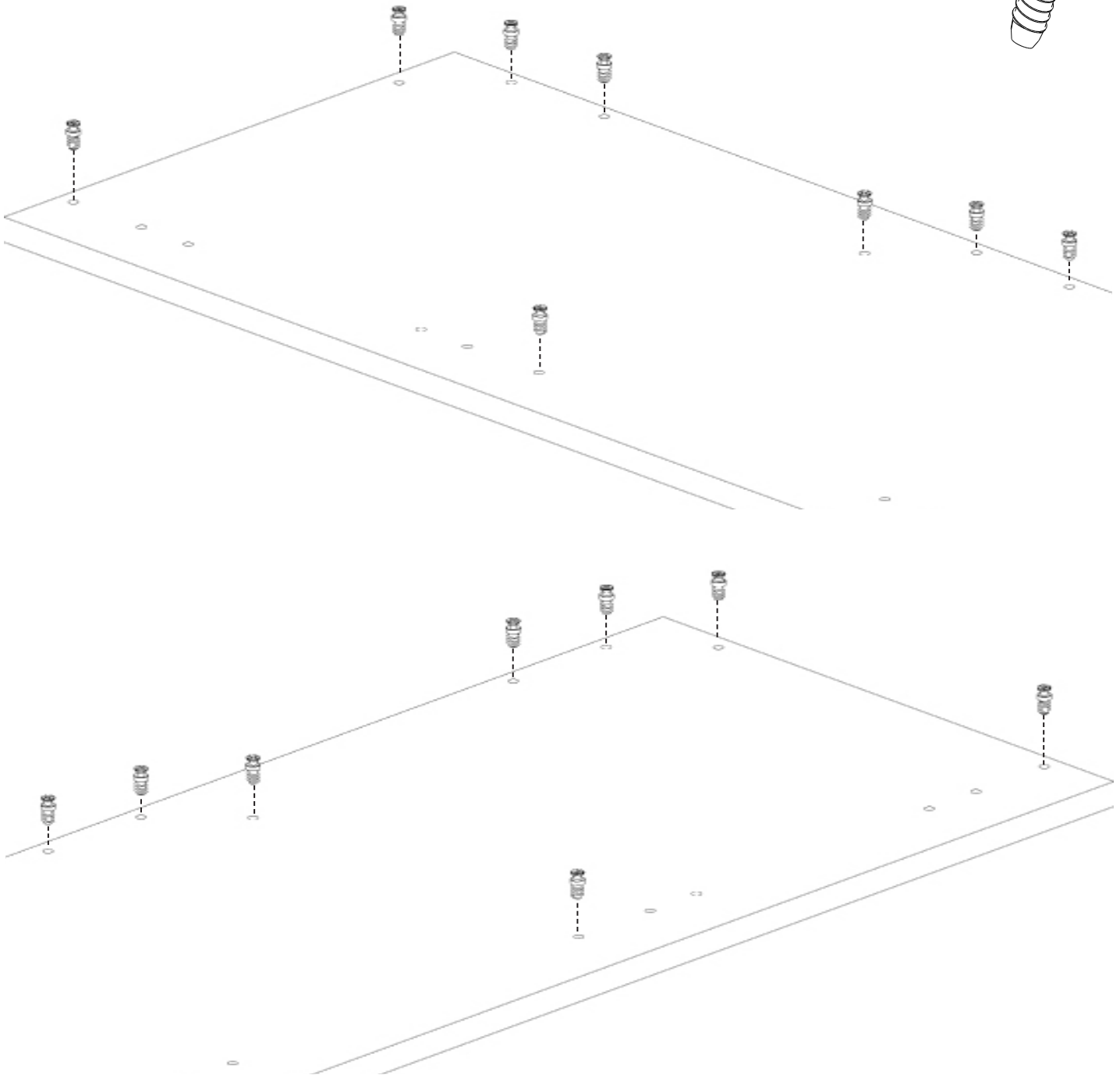
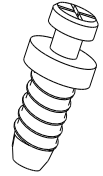




### Step 1 (continued)

For Center Panels (if applicable), flip the panel over and insert the hardware into the corresponding spots.

Screw Dowel



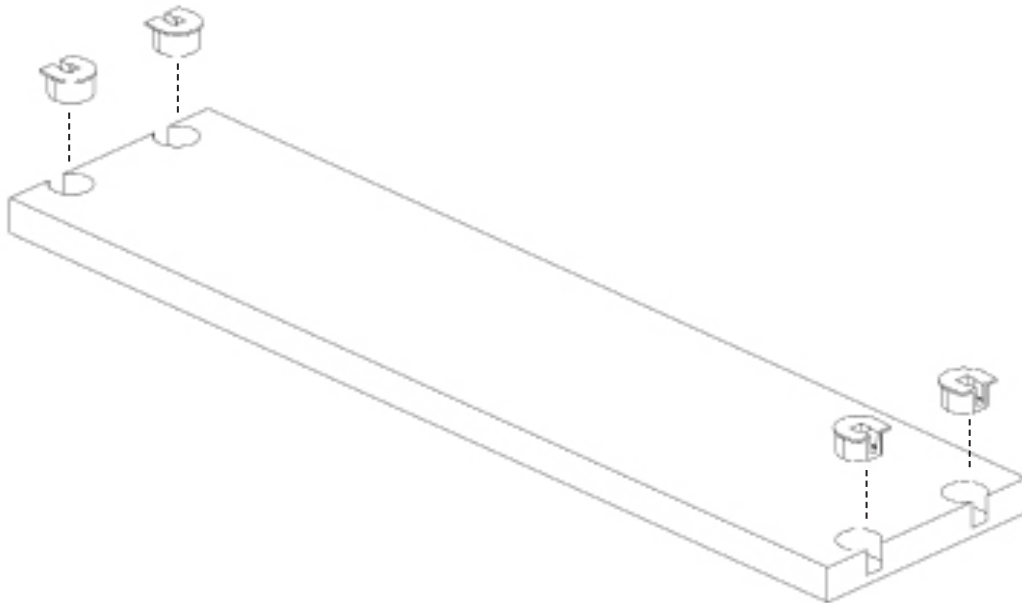
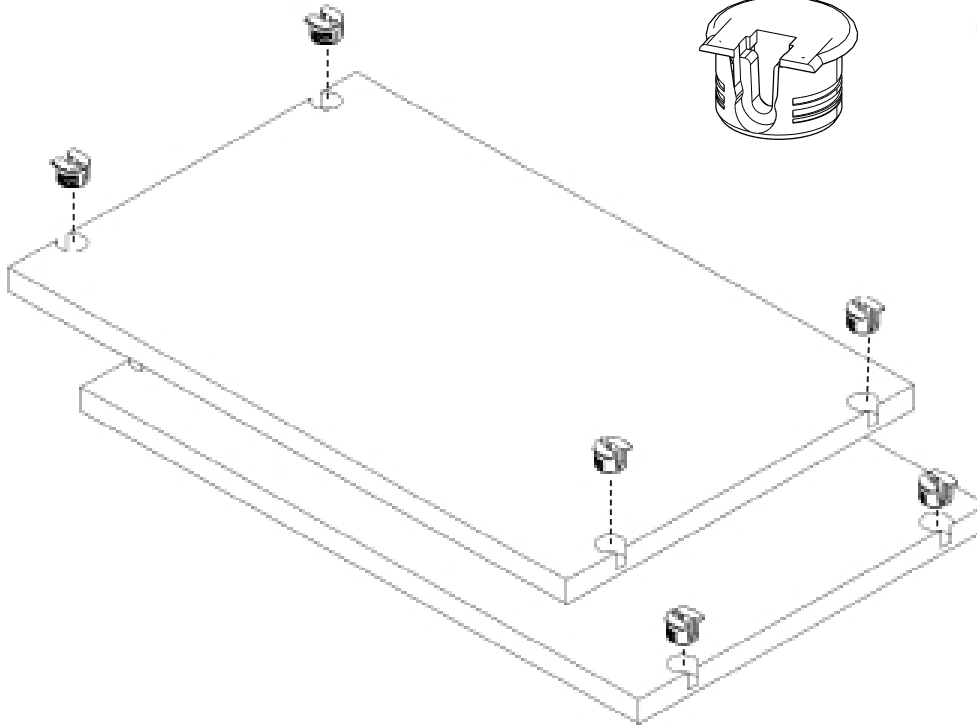
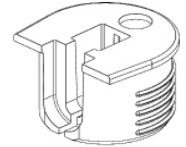
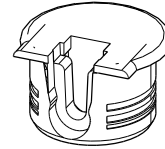


## Step 2

Insert rafix clips into a fixed shelf and wedgexes into a cleat. (Supplied third shelf will be used later as an adjustable shelf.)

Wedgex

Rafix  
(with locking mechanism)



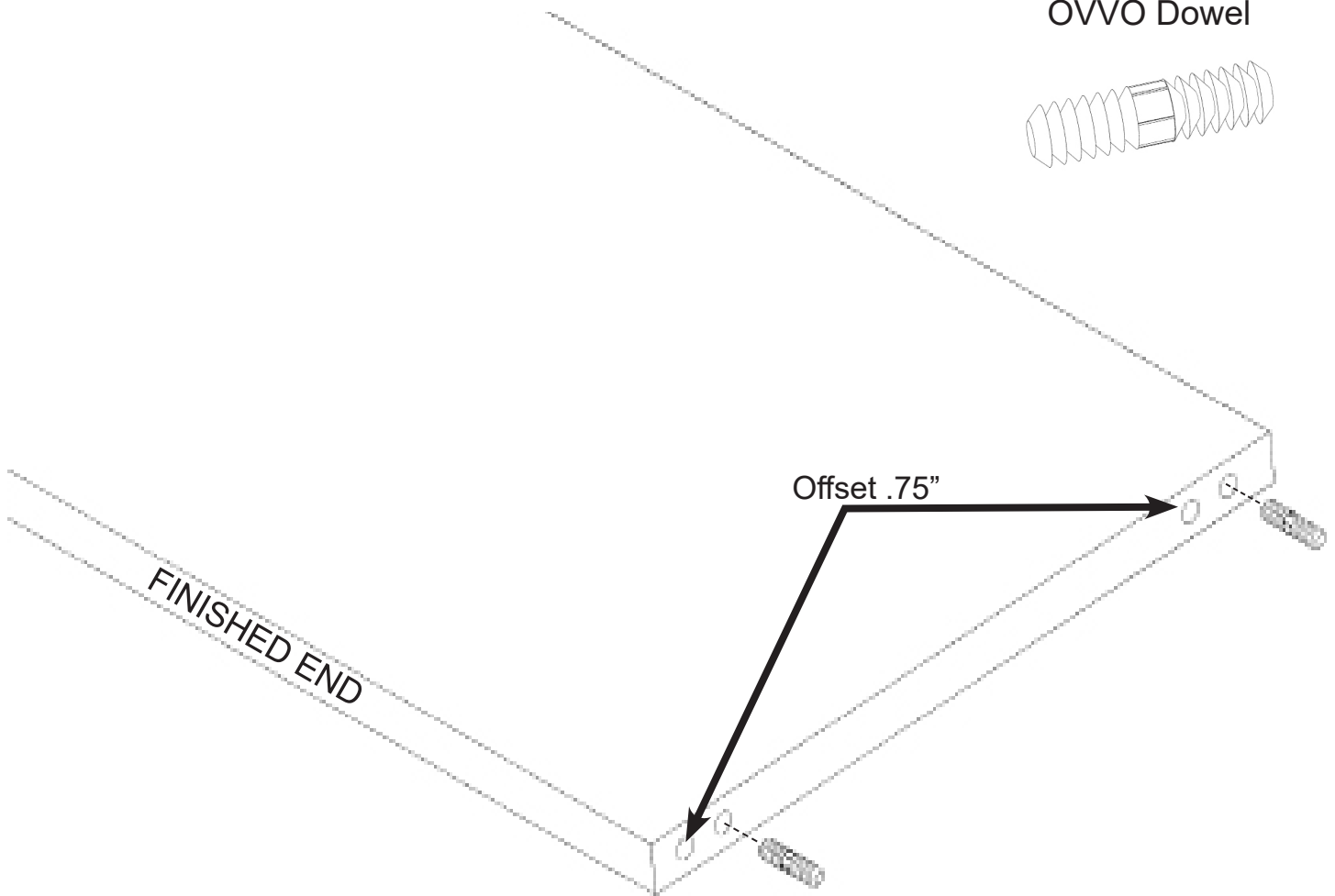
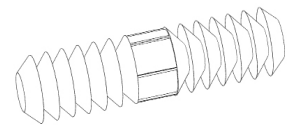


### Step 3

Insert OVVO dowels into the appropriate bottoms of all side and center panels

Please note that the second set of pre-drilled dowel holes at the bottom of the panel can be used when offsetting the unit from the wall to account for standard baseboards

OVVO Dowel

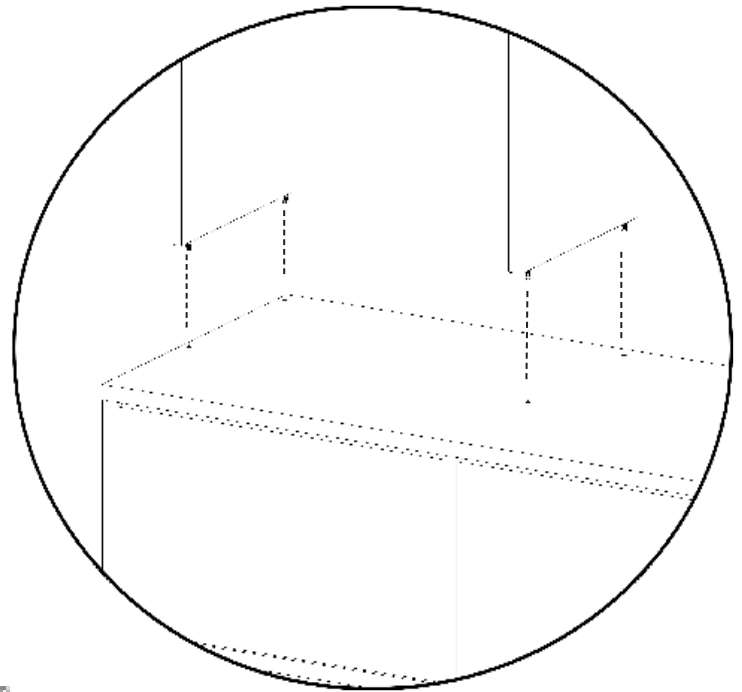
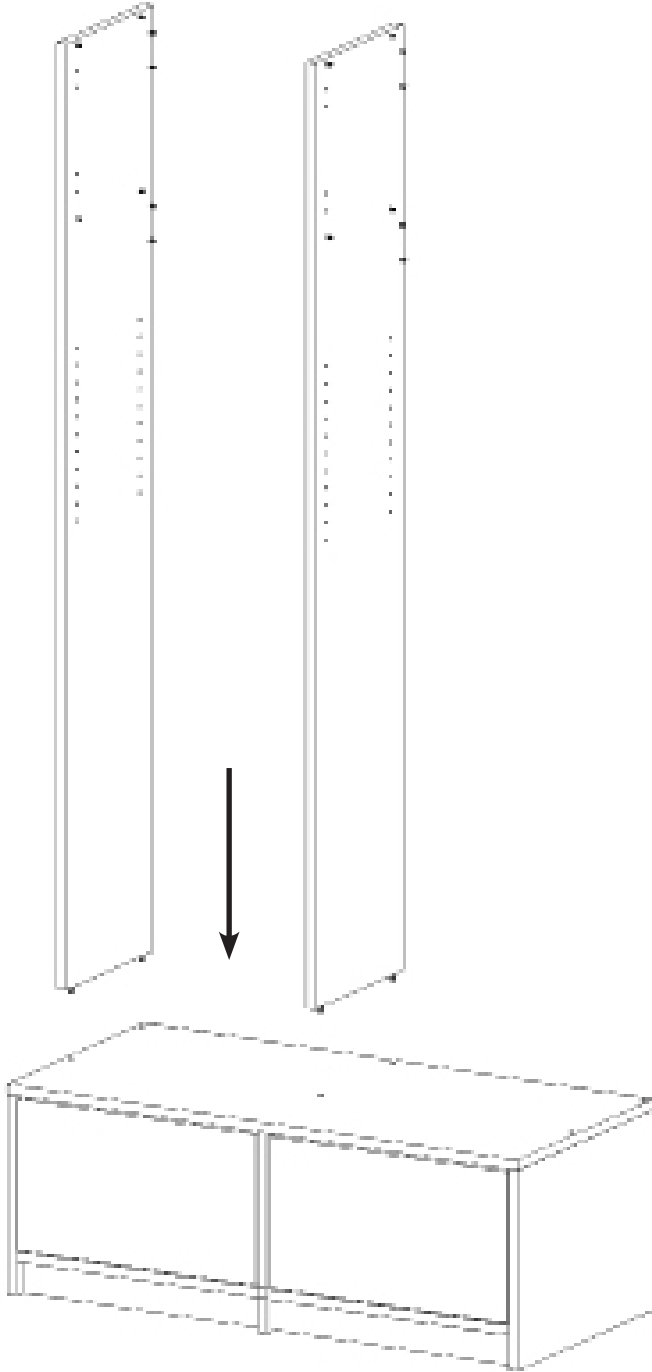


**Step 4**

Take one side panel and one side/center panel (if applicable) and insert them into the top of the previously assembled mudbench (at this point, two people are recommended to help keep the panels steady and upright).



2 Person  
Recommended



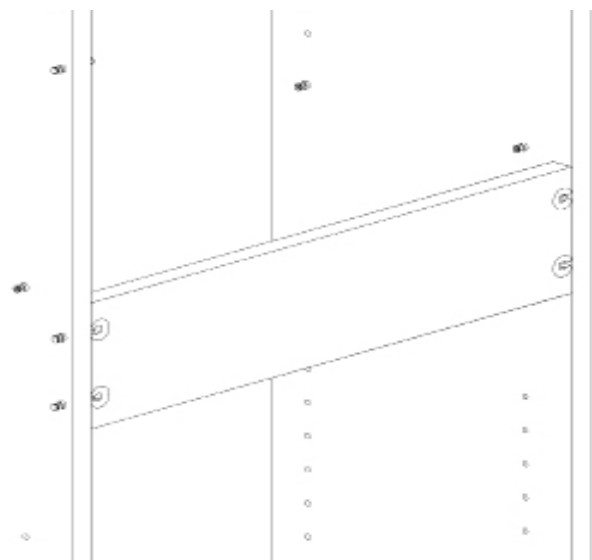
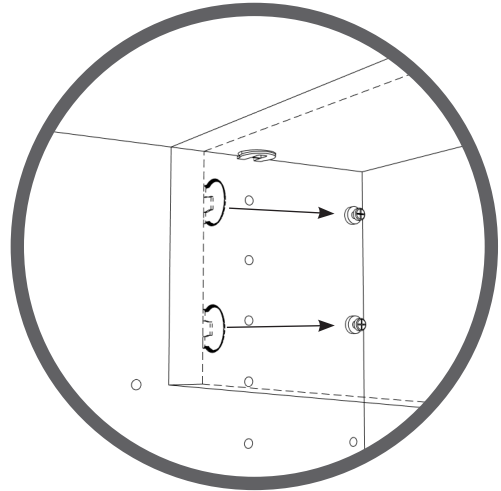
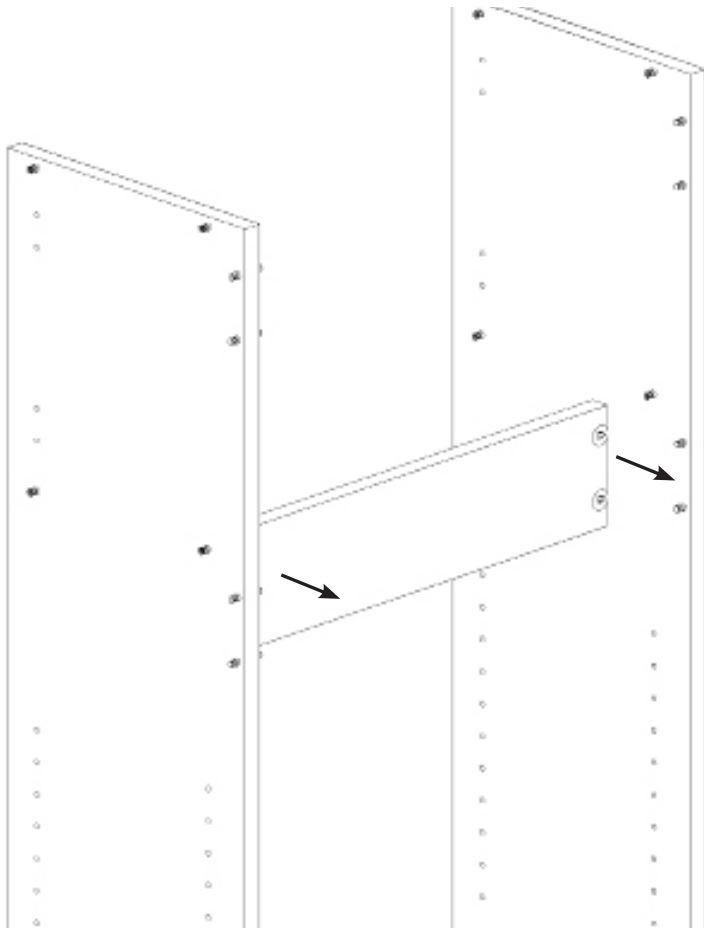


### Step 5

Slide the cleat into the 4 lower screw dowels installed on the panels.



2 Person Recommended

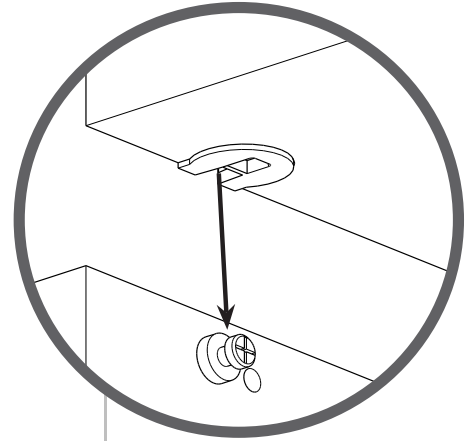
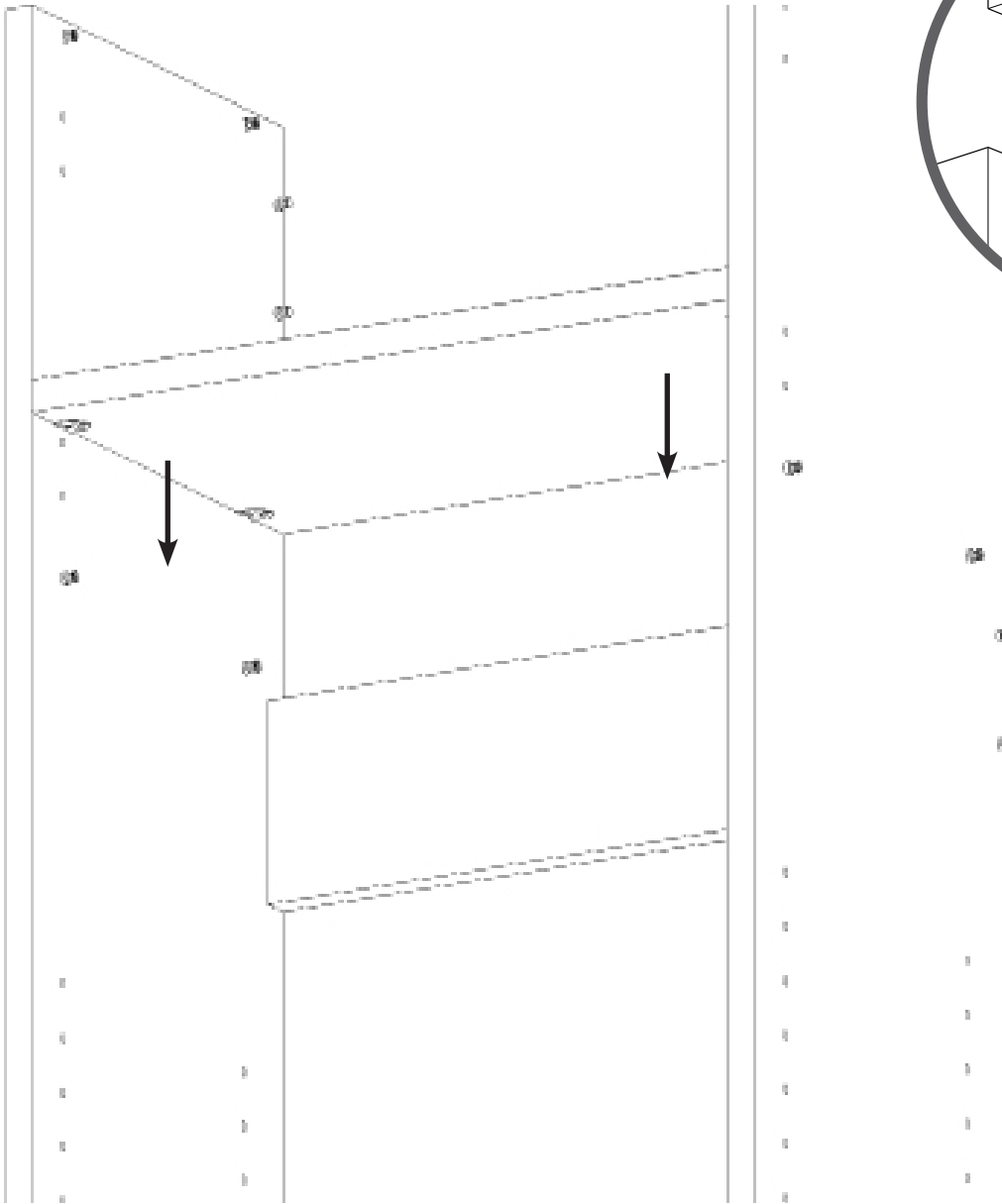




2 Person  
Recommended

### Step 6

Connect the fixed shelf above the four lower screw dowels directly above the cleat.



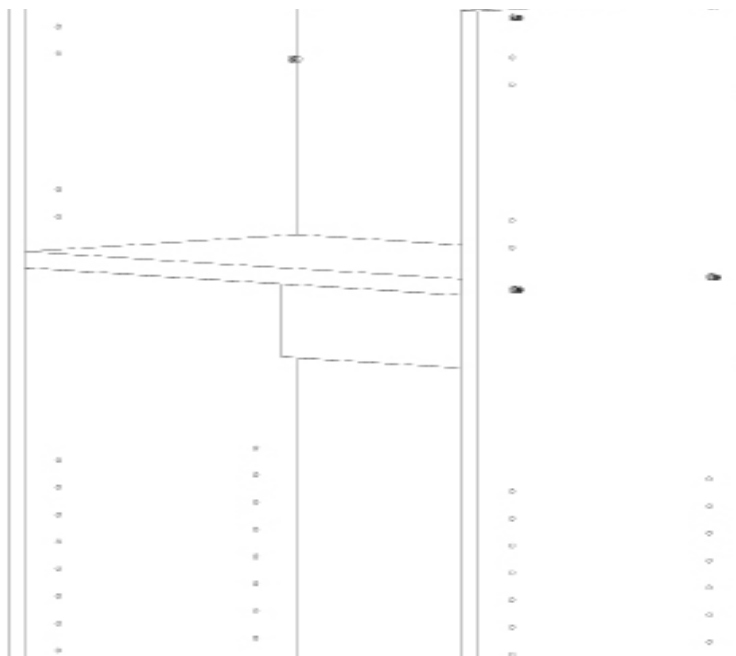
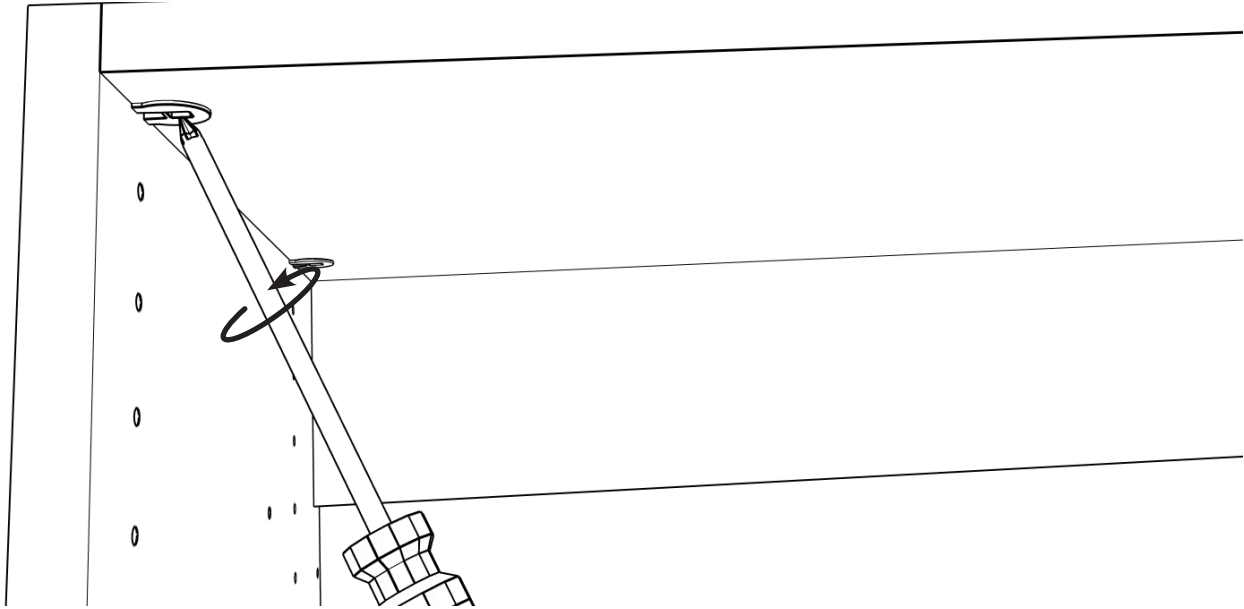


### Step 7

Using a Philips screw driver, tighten and secure all 4 rafxes



2 Person  
Recommended



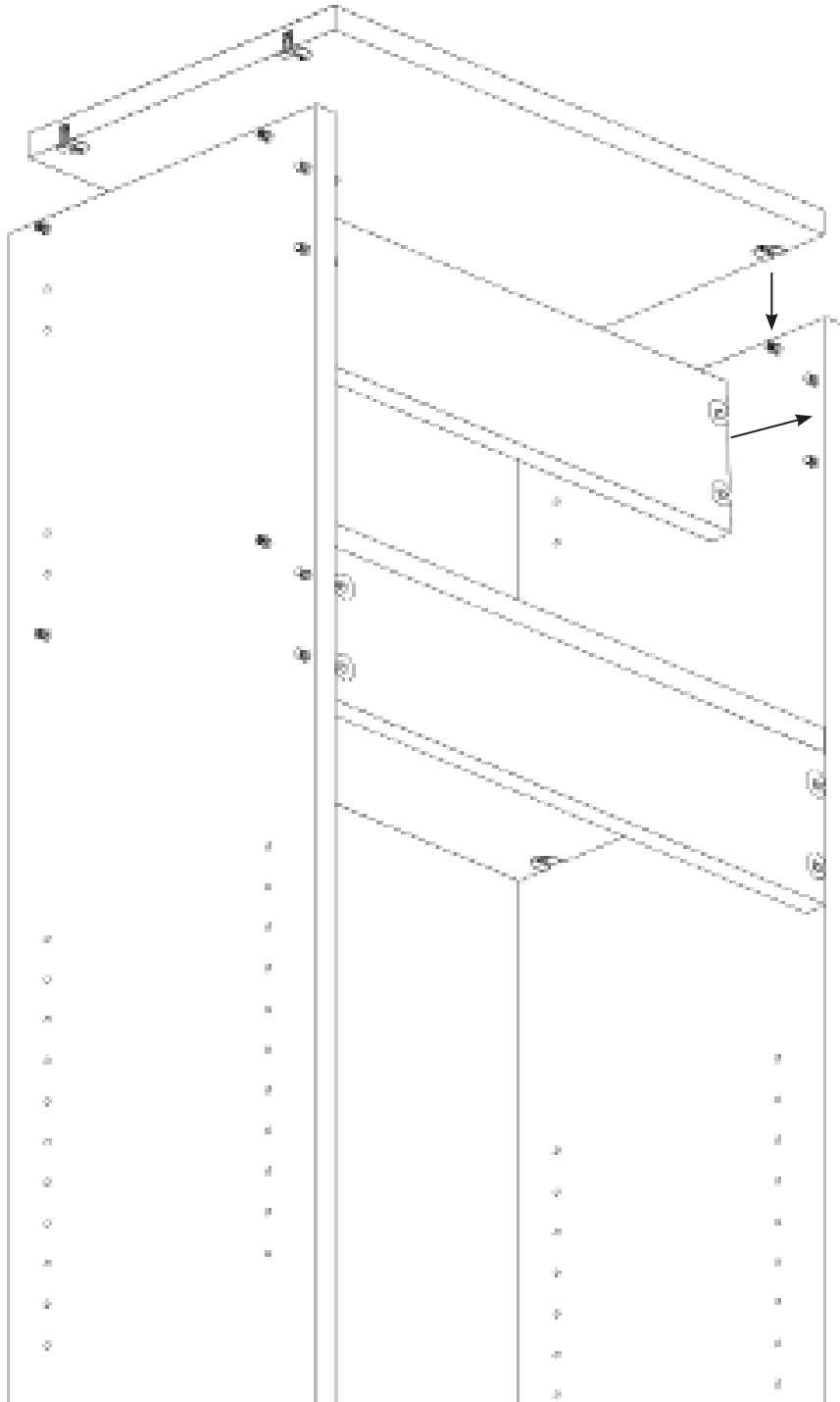


### Step 8

Repeat steps 4-7 for the upper fixed shelf and cleat between the two side/center panels.



2 Person Recommended



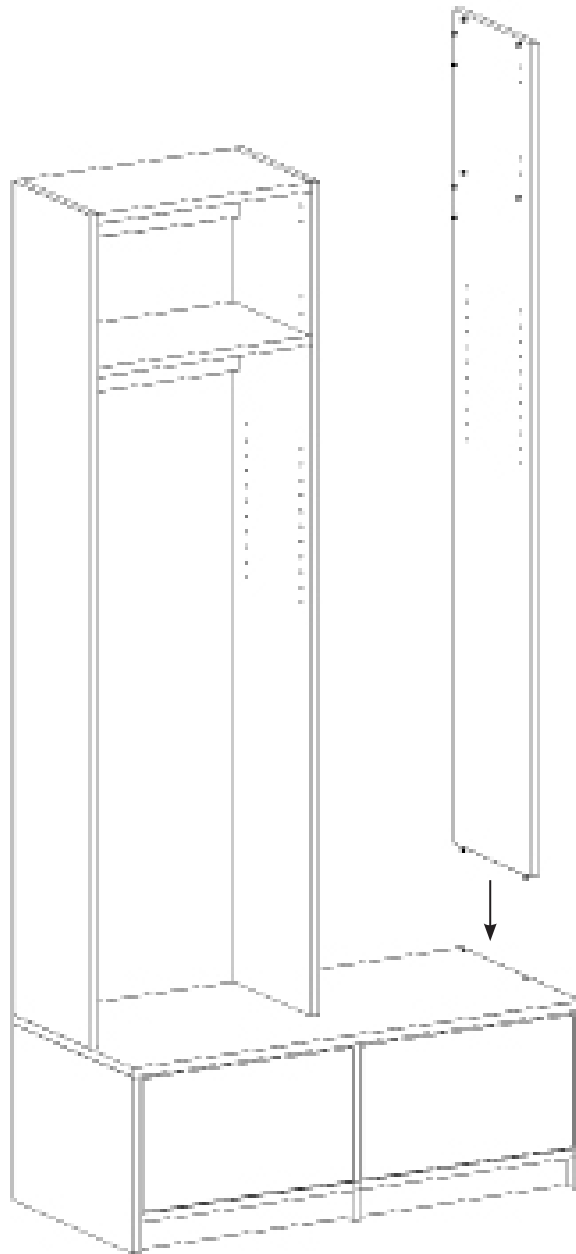


### Step 9

Connect next center/side panel on top of the bench (all center panels should be used before the remaining side panel).



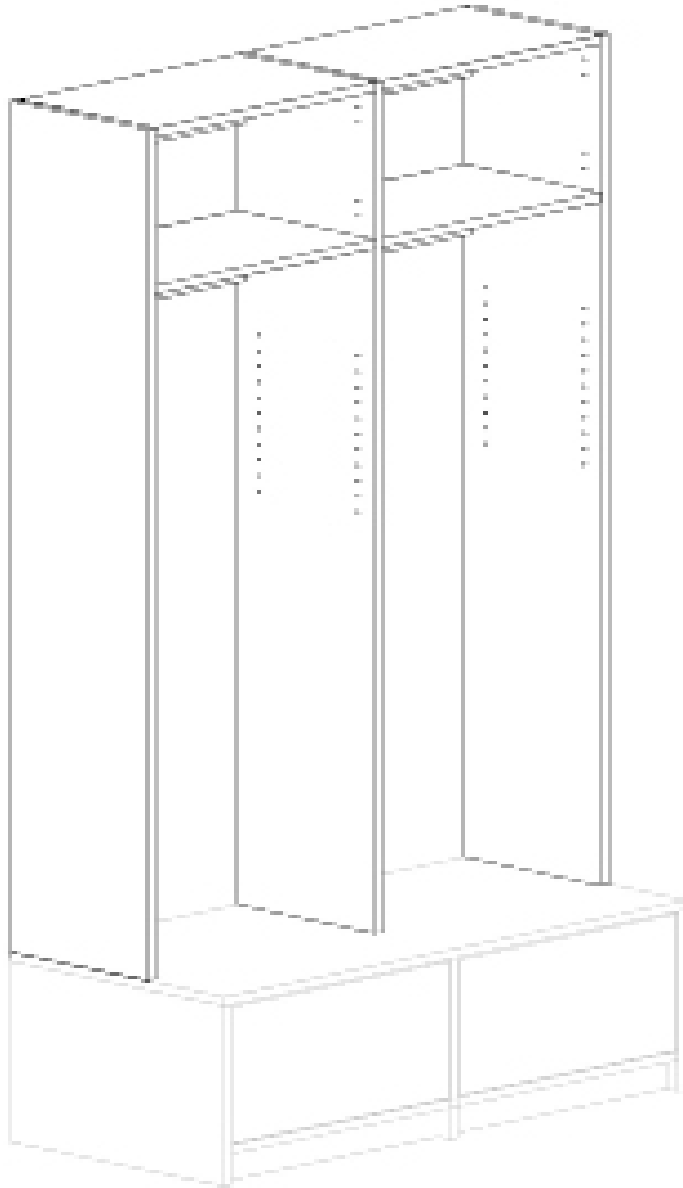
2 Person  
Recommended



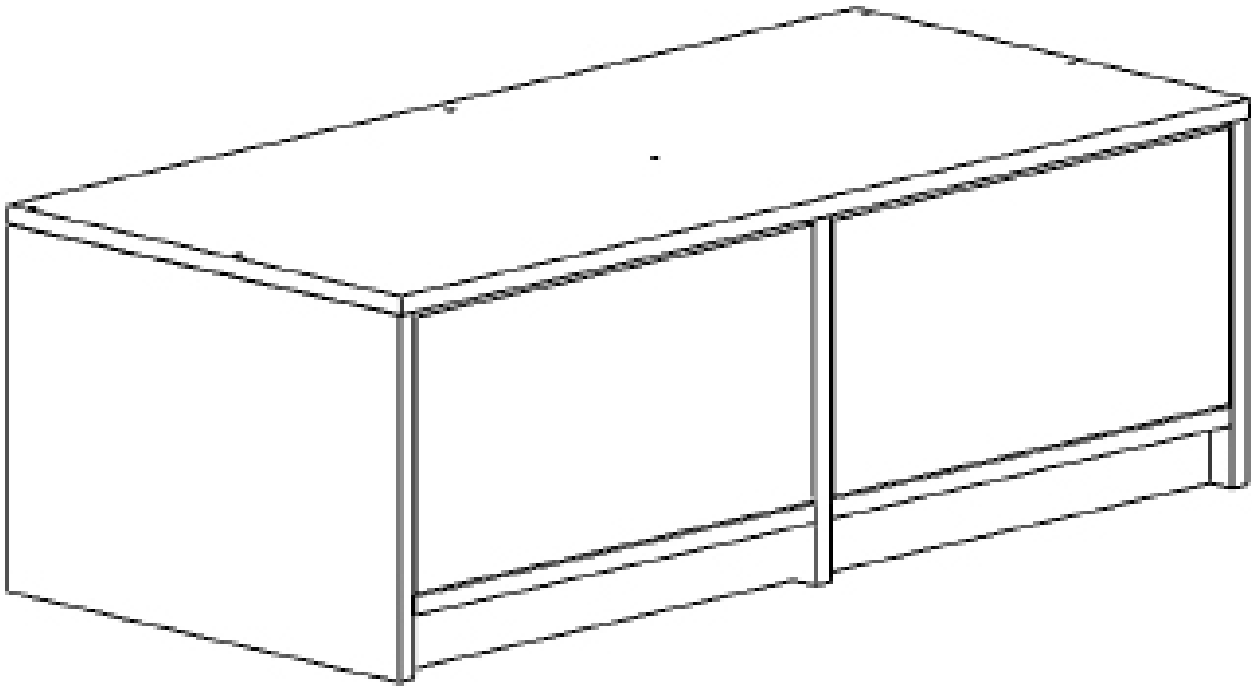


## Step 10

Repeat steps 5-9 for all remaining sections.



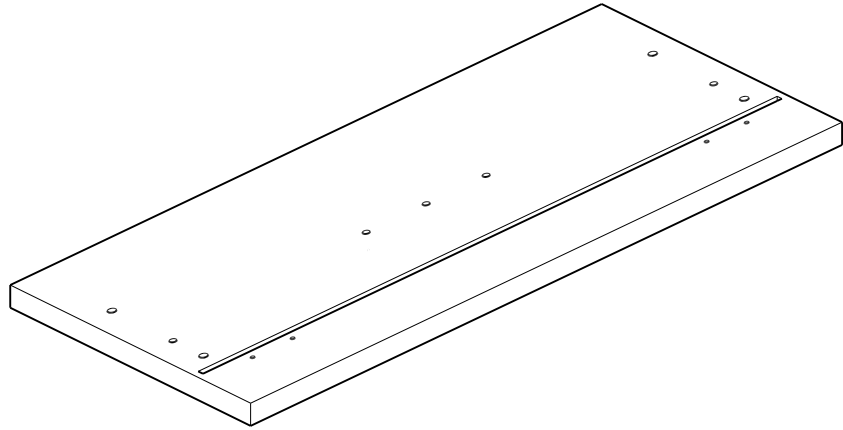
The drawer boxes will be built next.



## Drawer assembly Boxes Needed

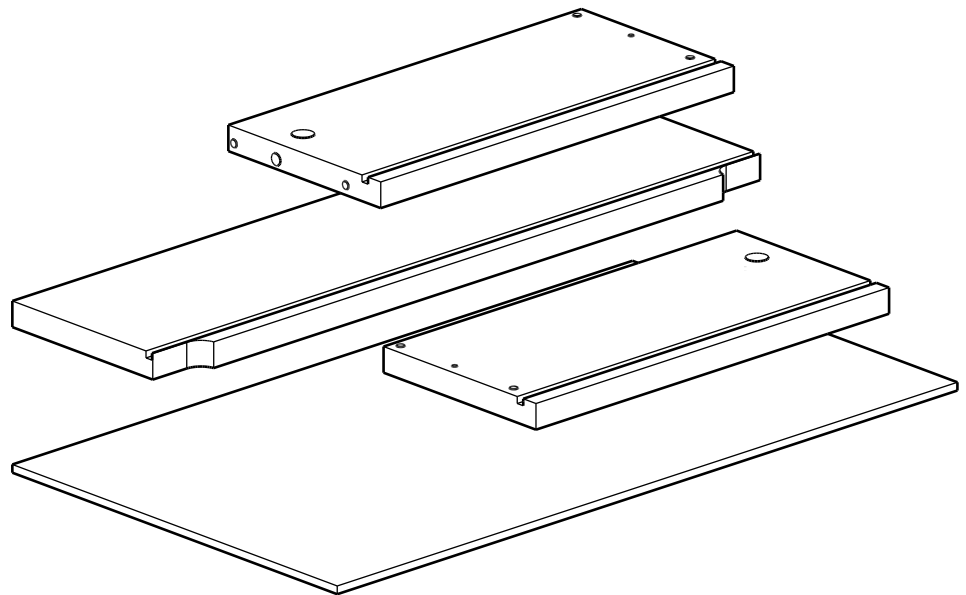
**MDR-DF**  
Mudroom Drawer Front

*(There is a 1 per pack and 2 per pack box)*



**MDR-DRB**  
Mudroom Drawer Boxes

*(There is a 1 per pack and 2 per pack box)*



### Tools needed

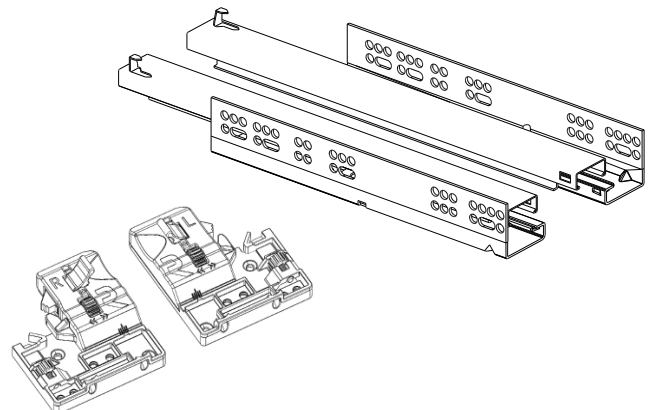
Philips screw driver



Rubber mallet

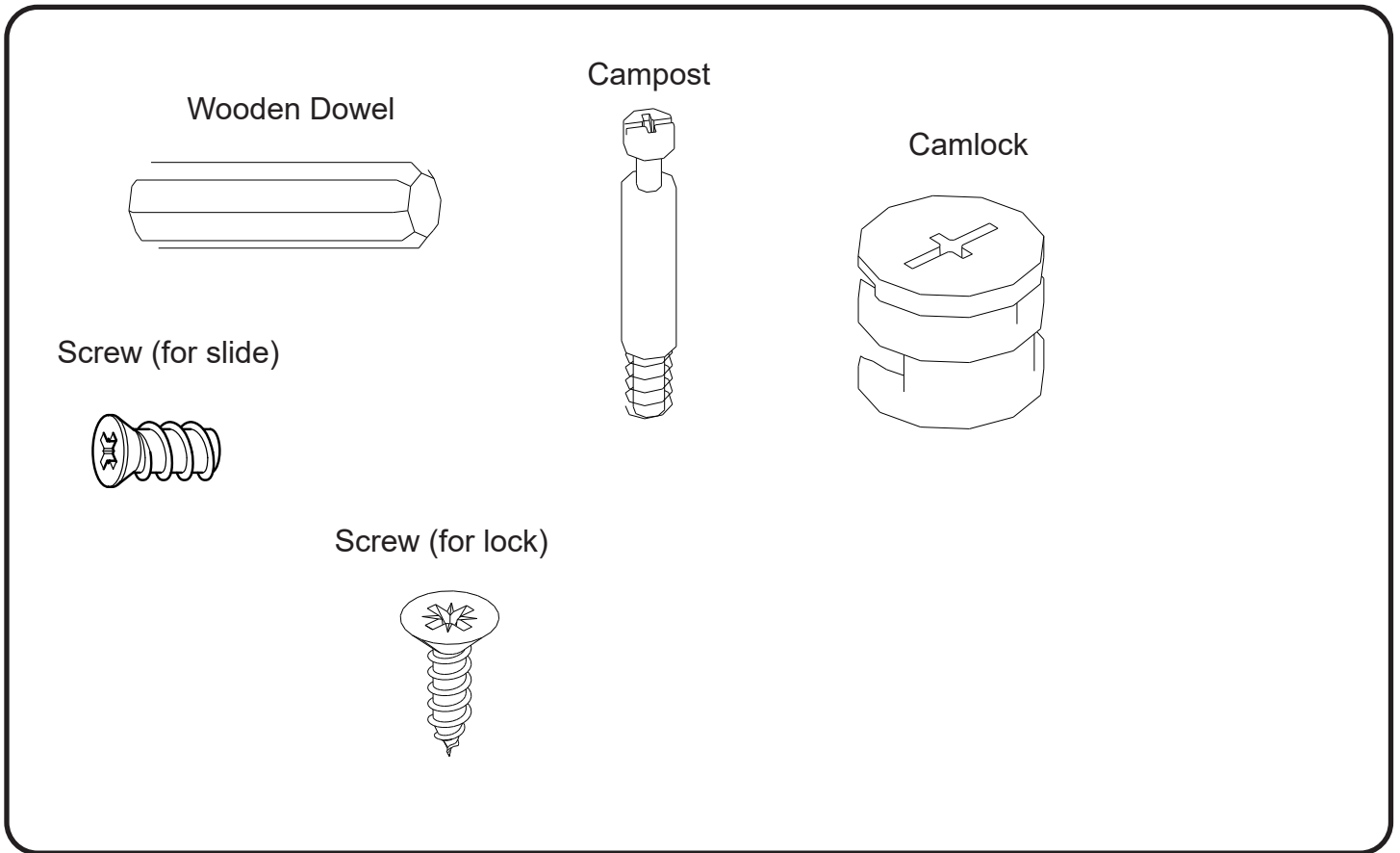


### Drawer Locks and Slides (separate box)

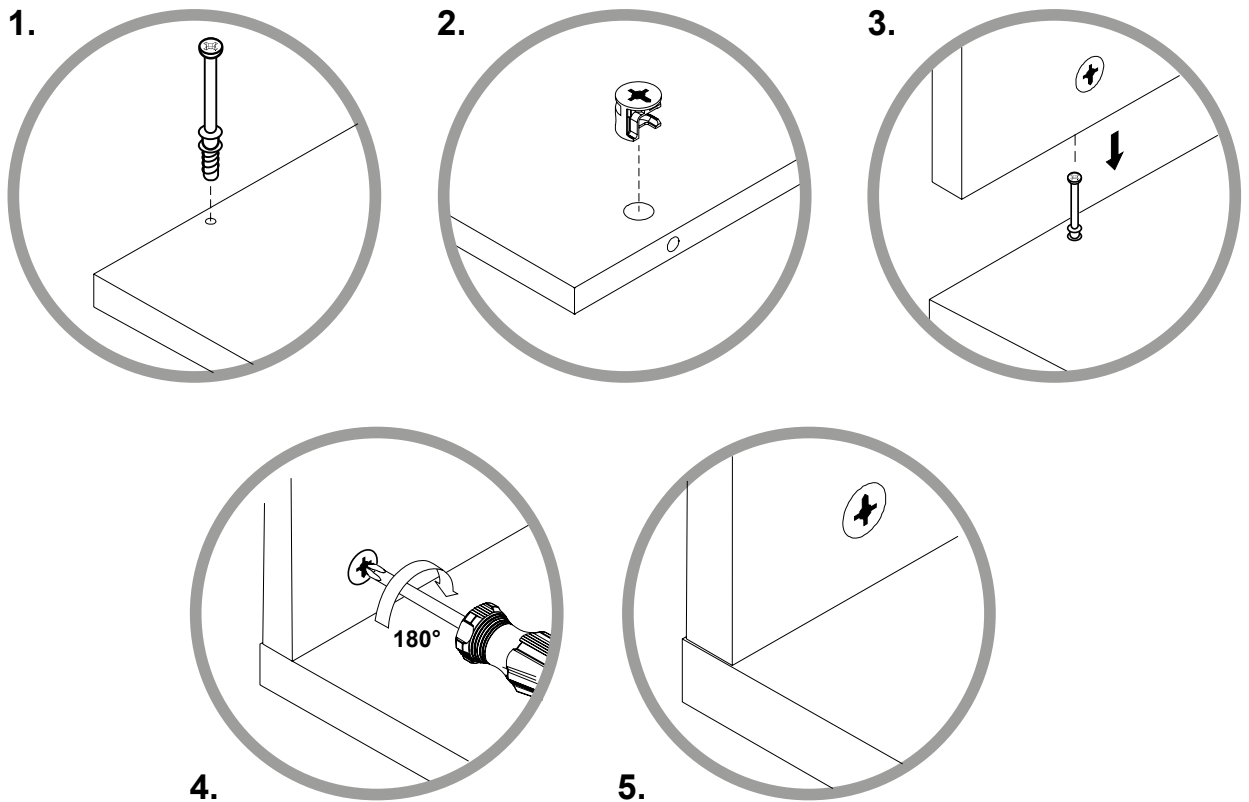




### Hardware Packs Needed HRDP-MDRDW

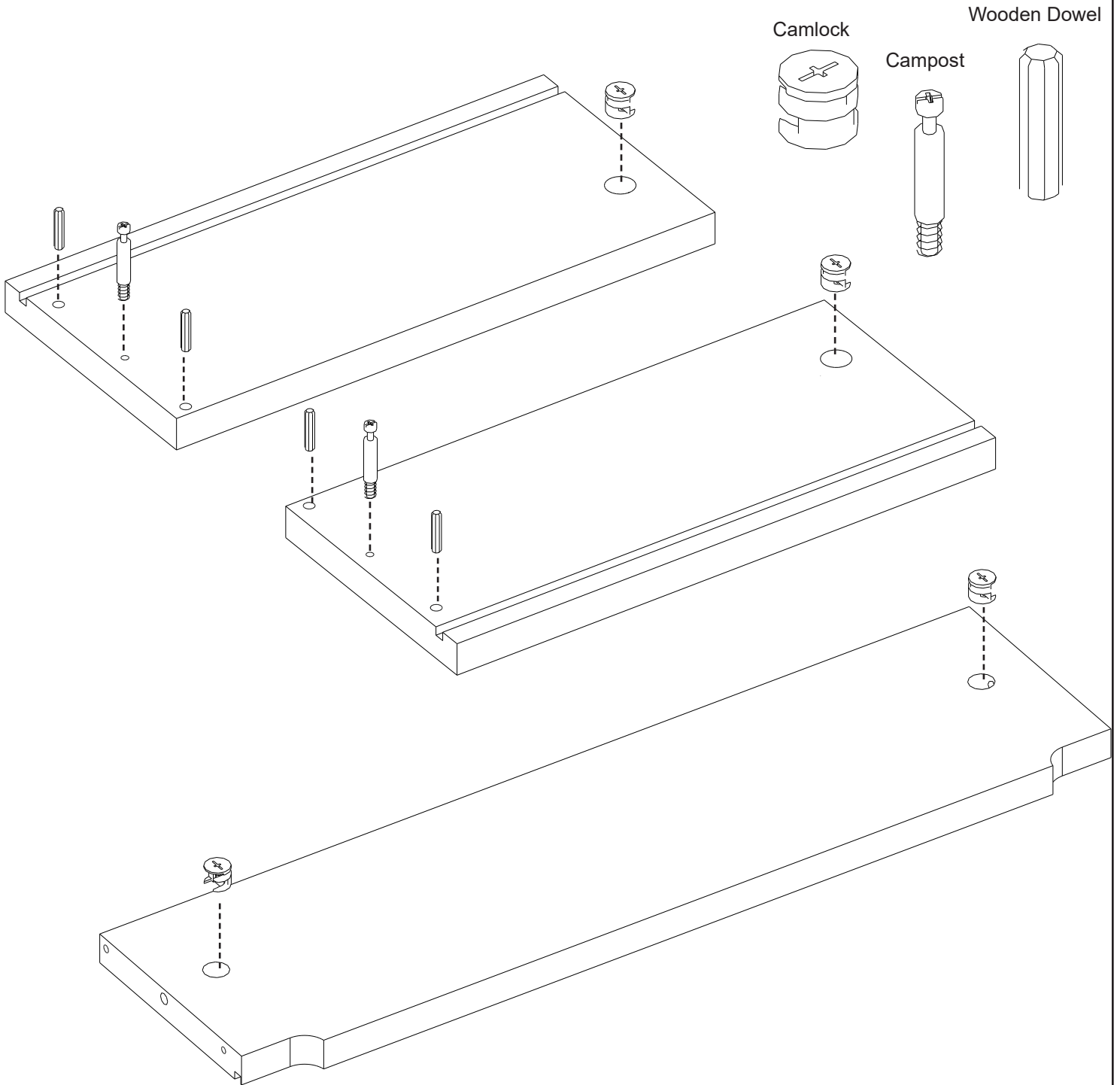


How to use the  
Cam lock system



## Step 1

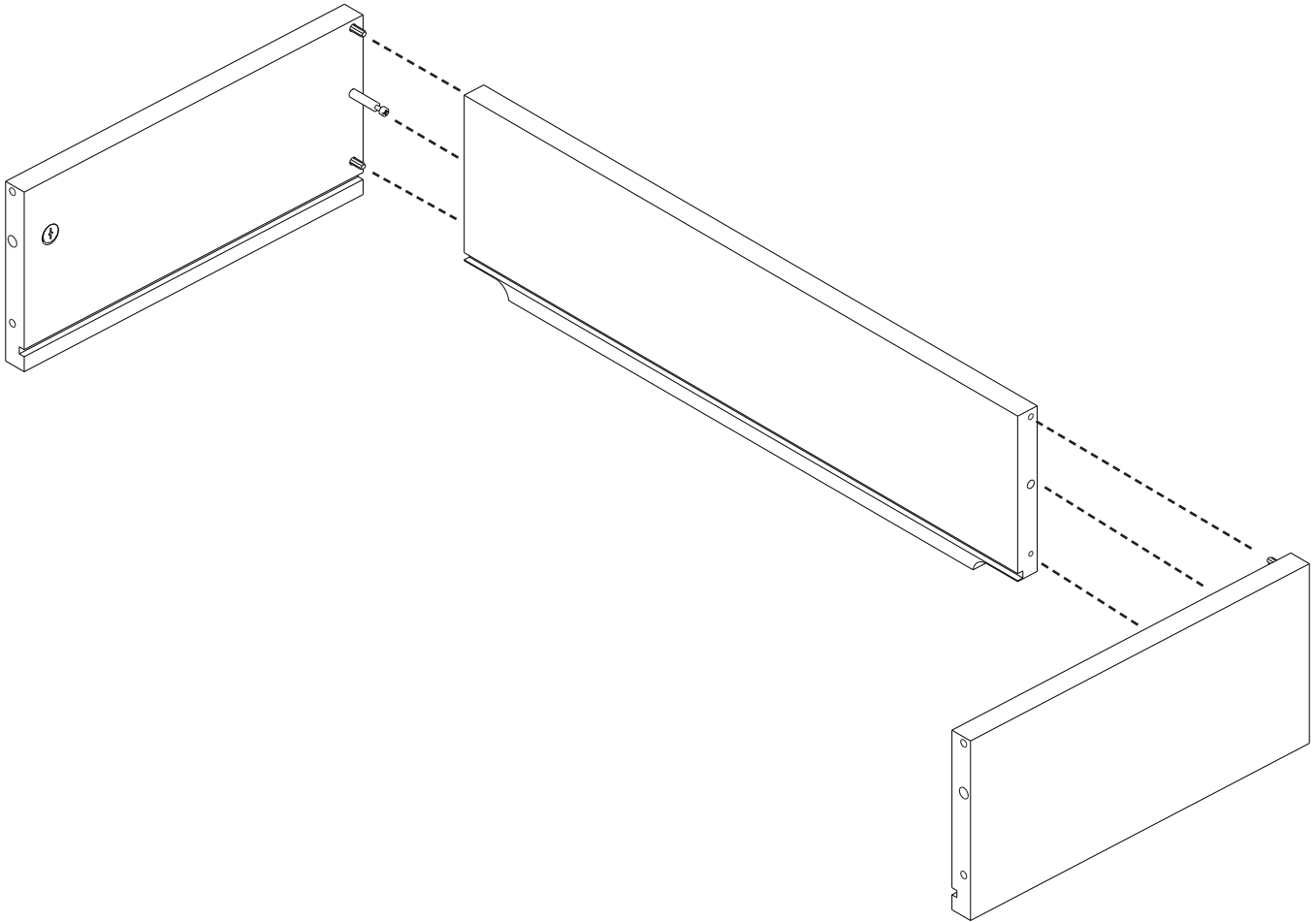
Removing the parts from MDR-DRB(s), insert cam locks, cam posts and wooden dowels in the drawer sides and back as shown below.





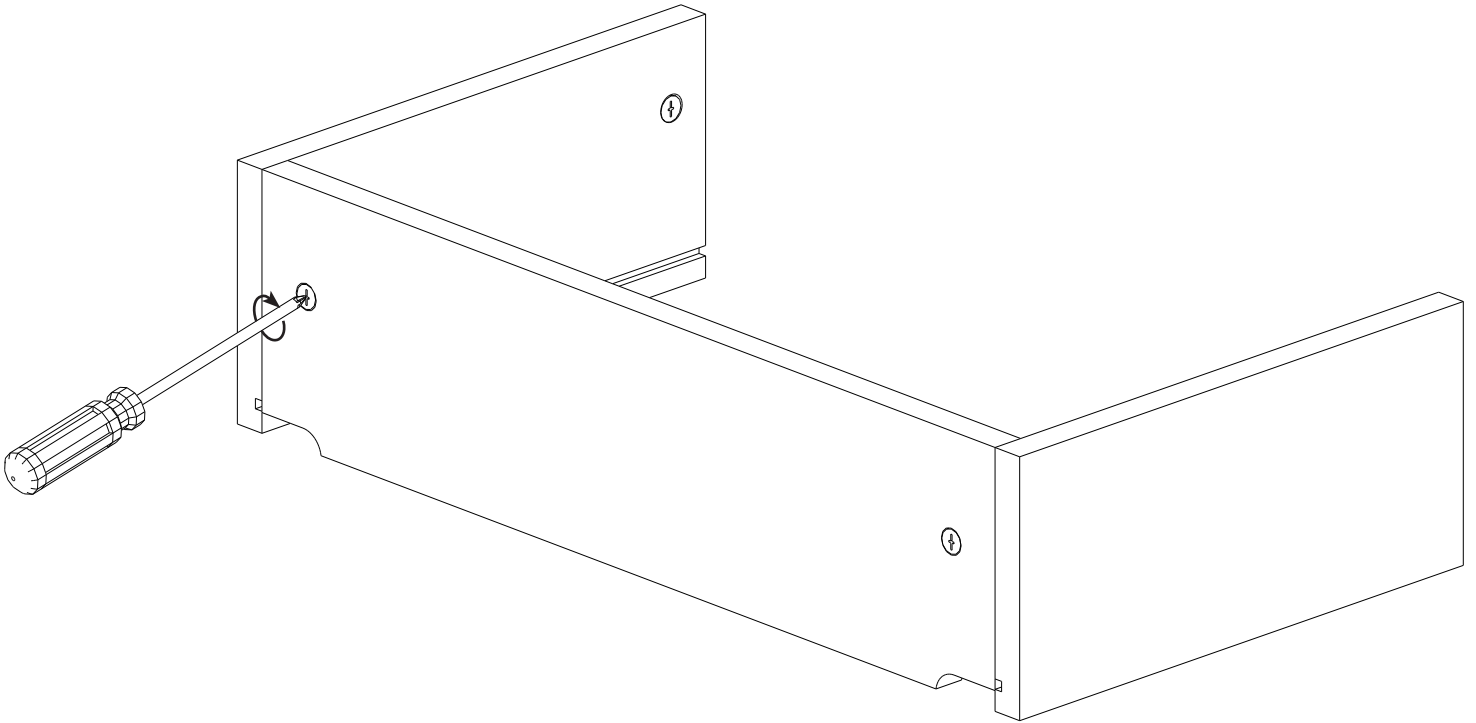
## Step 2

Connect the side panels to the back.



### Step 3

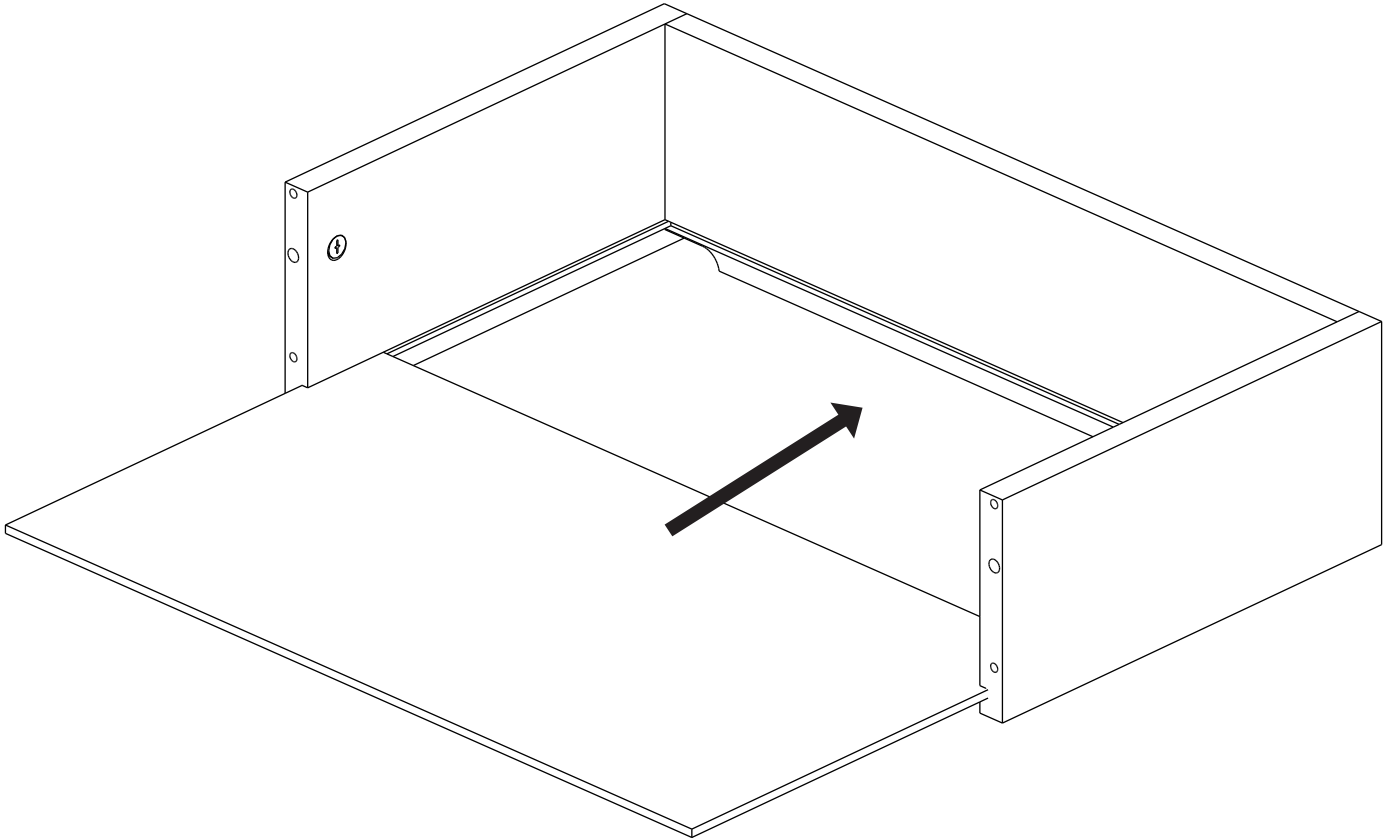
Tighten both cam locks by turning them 180°





### Step 4

Slide the drawer bottom in





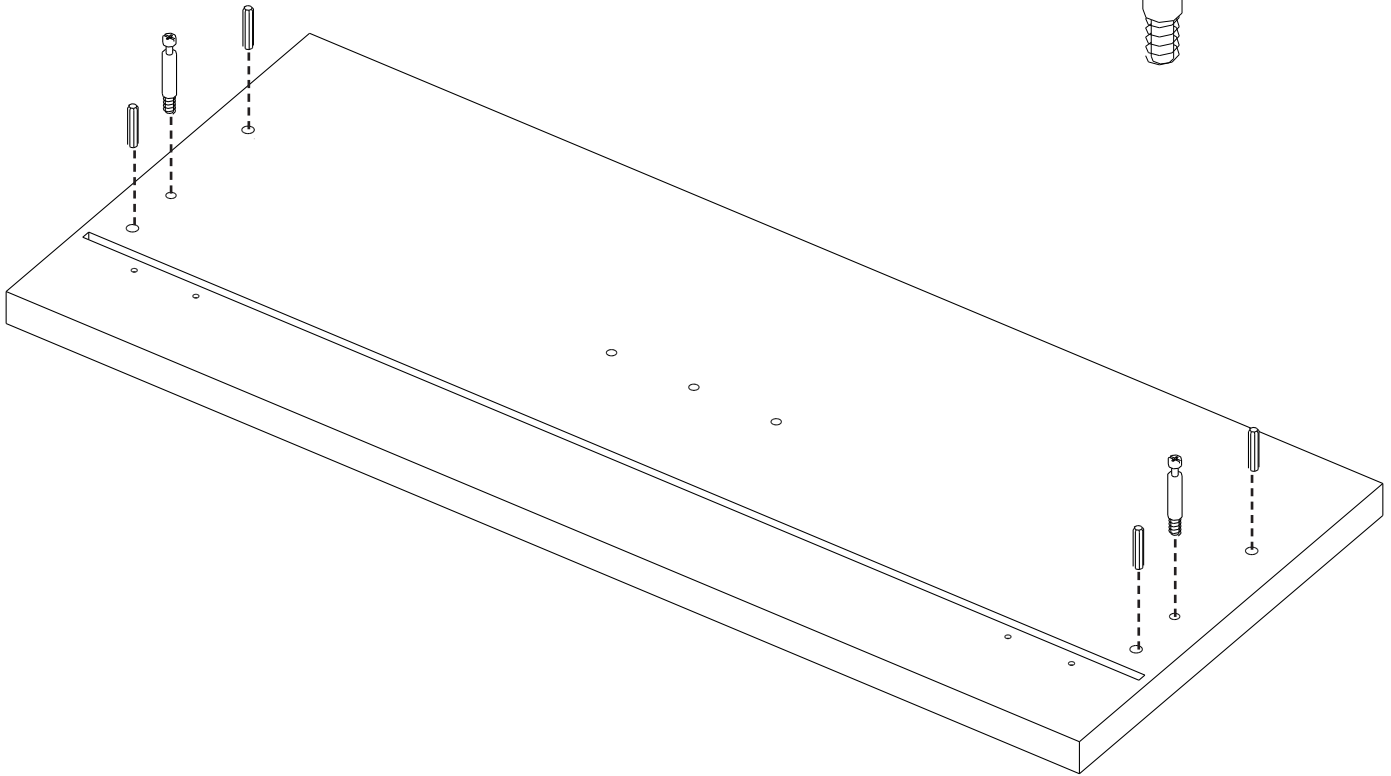
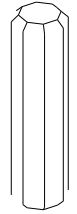


### Step 5

Insert cam locks and camposts into drawer front as shown below.

Campost

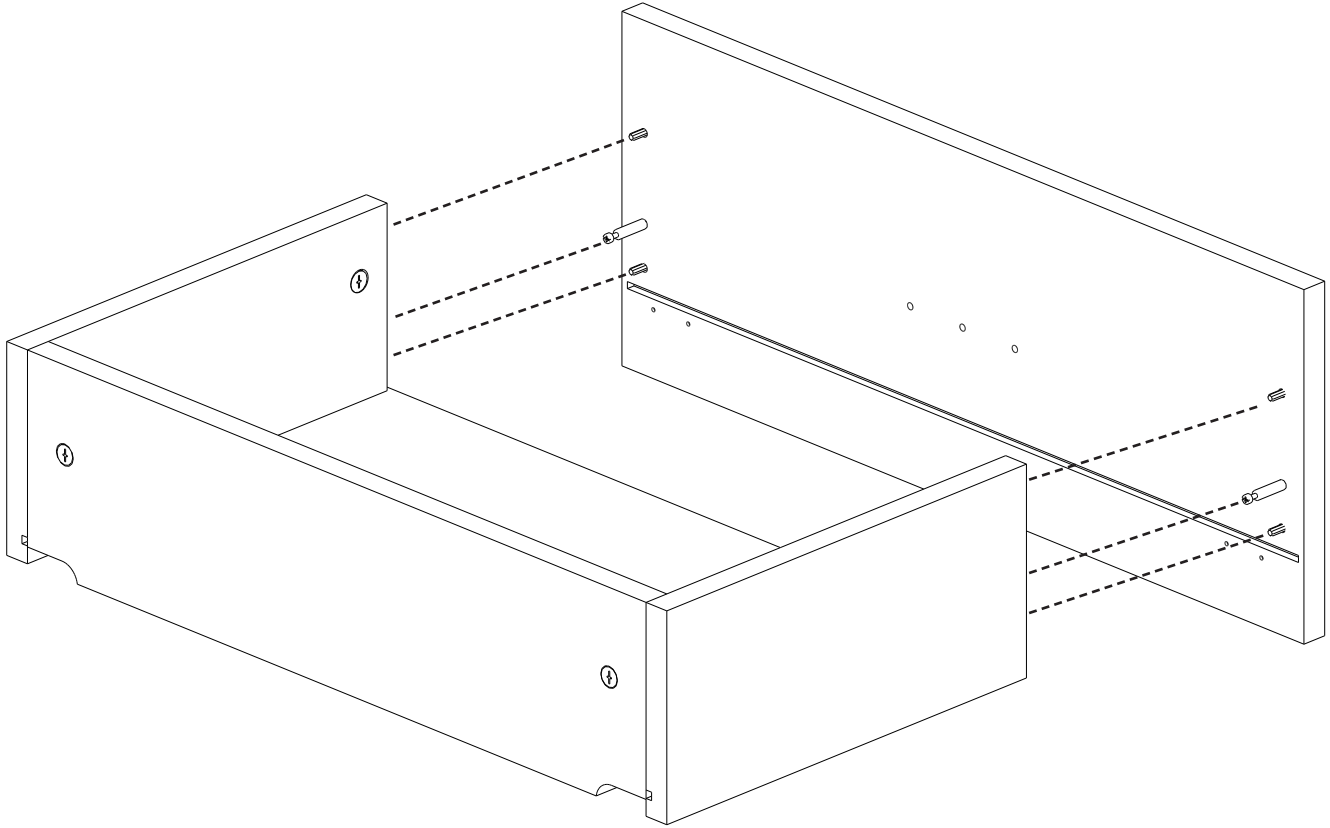
Wooden Dowel





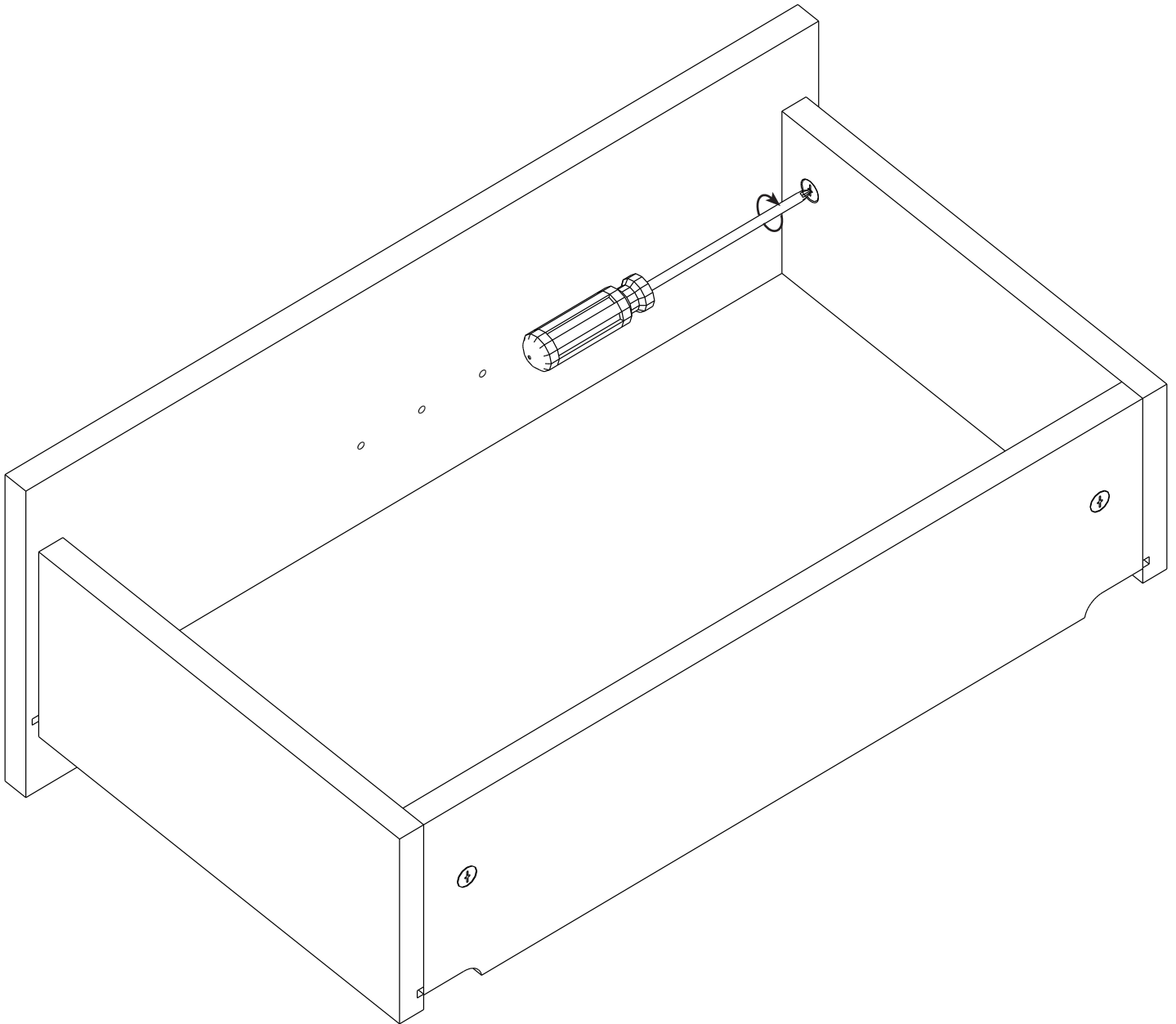
### Step 6

Connect drawer front to drawer box.



## Step 7

Tighten cam locks on both sides.



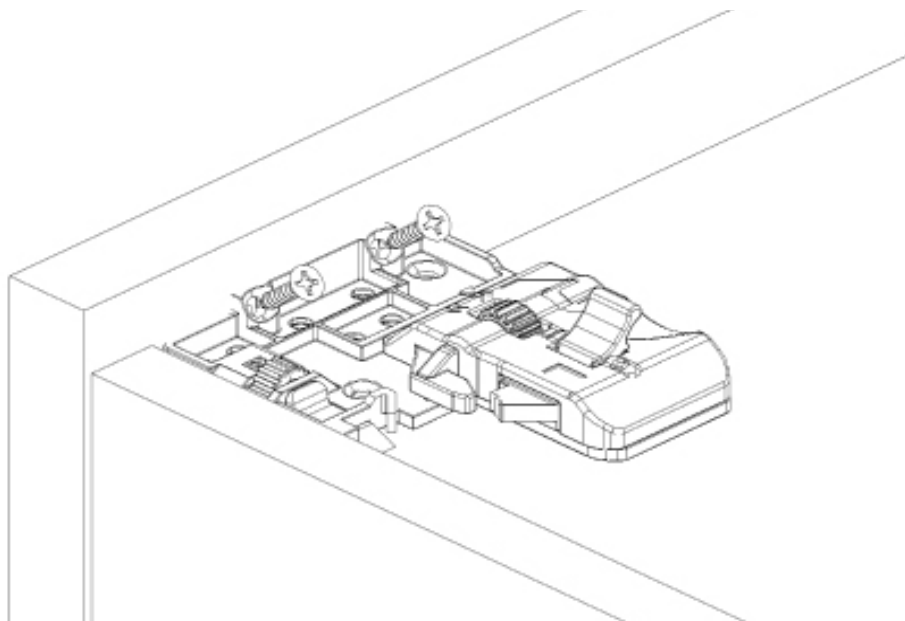
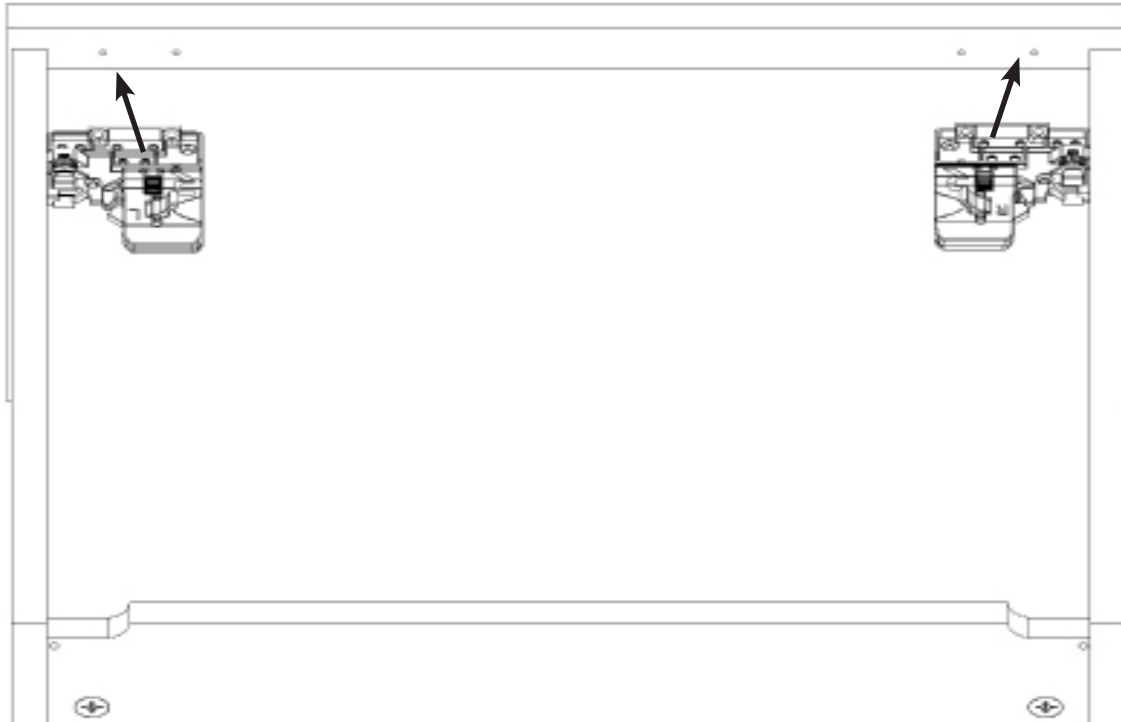
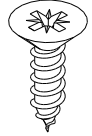
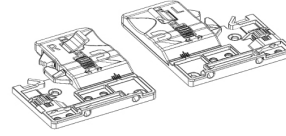


### Step 8

Flip over the drawer and put the lock for slides in each corner and screw in as shown. Repeat steps 2 - 9 for all drawers.

Lock for slides R,x1, L,x1

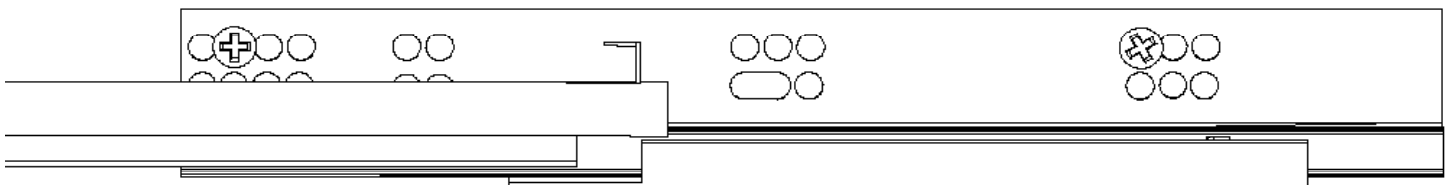
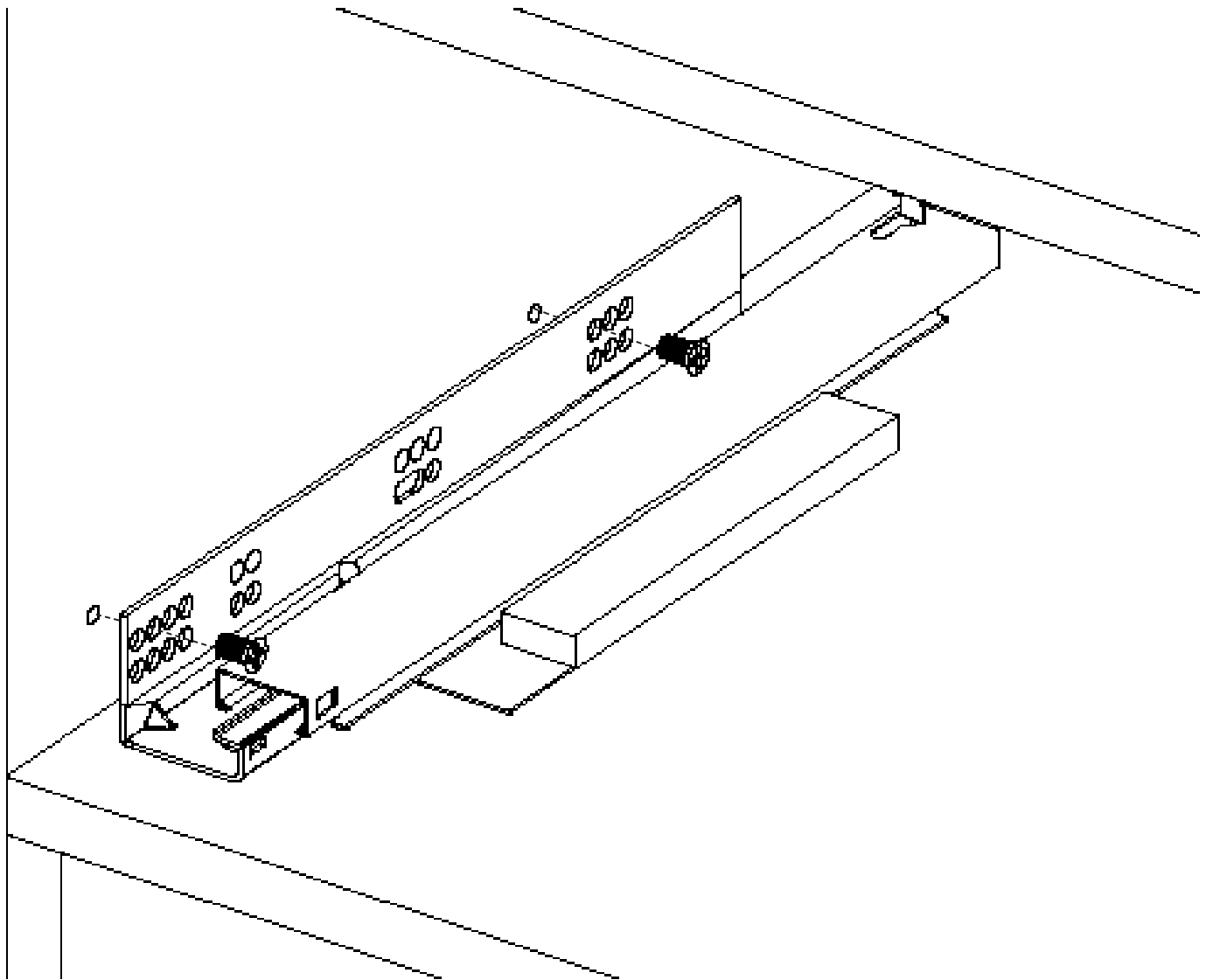
Screw for lock



### Step 9

Attach the drawer slides to the lower half on both sides in each open cubby of the bench. Use the diagram below to match the screws to the correct opening.

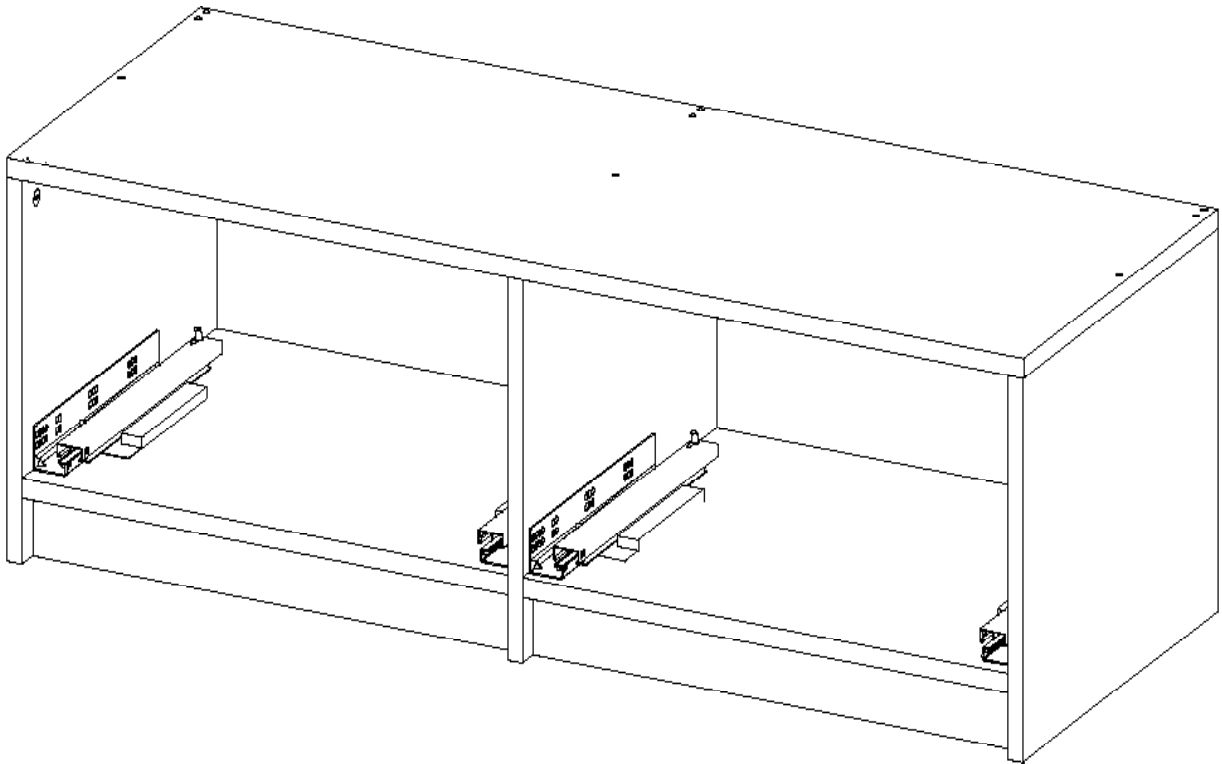
Screw (for slide)





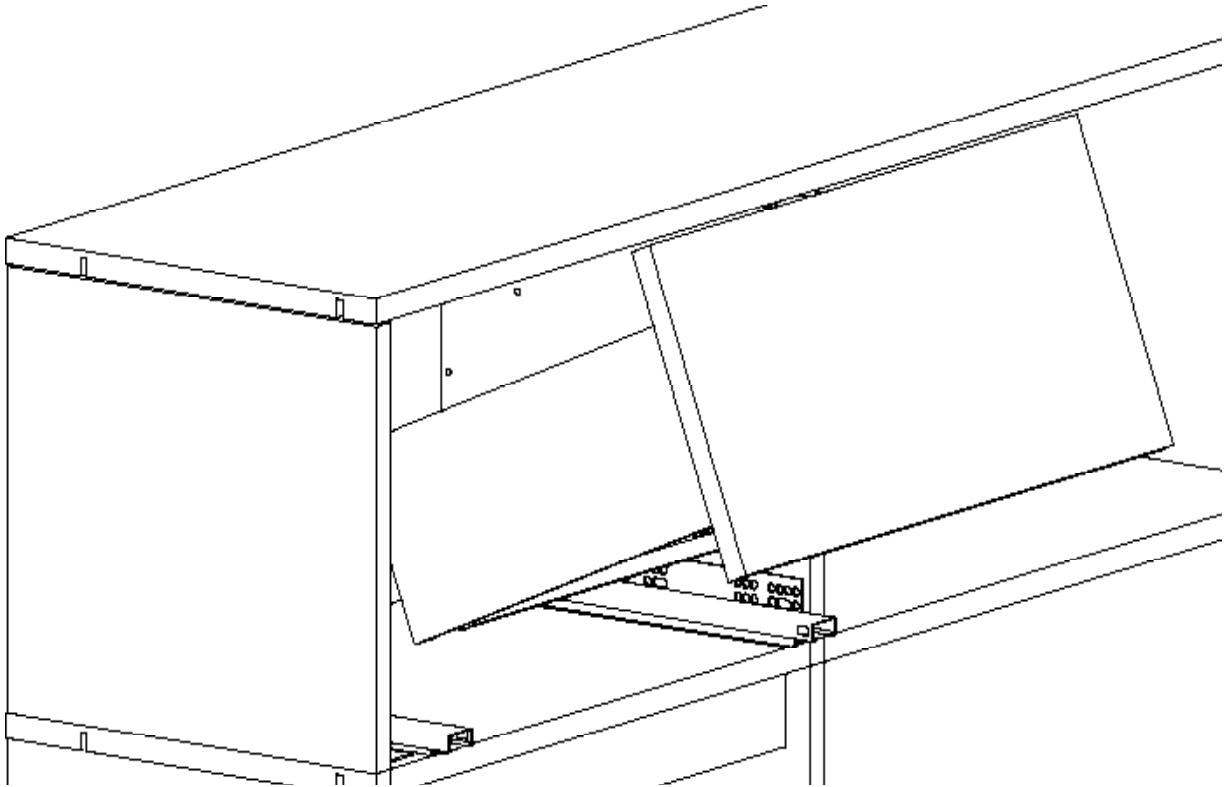
### Step 10

Repeat for all remaining drawer slides on each open section.



**Step 11**

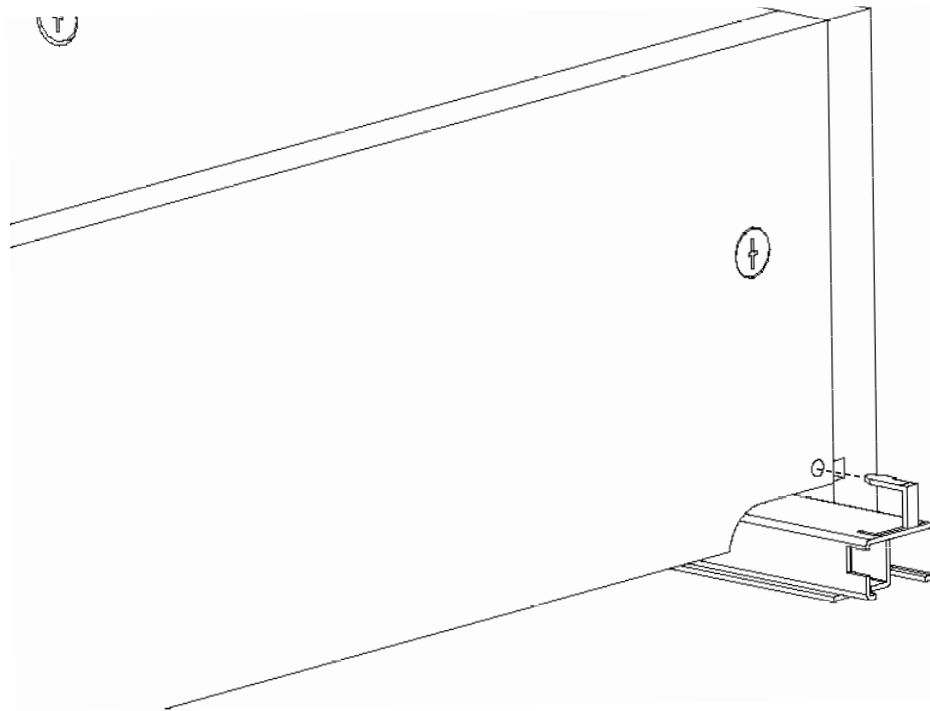
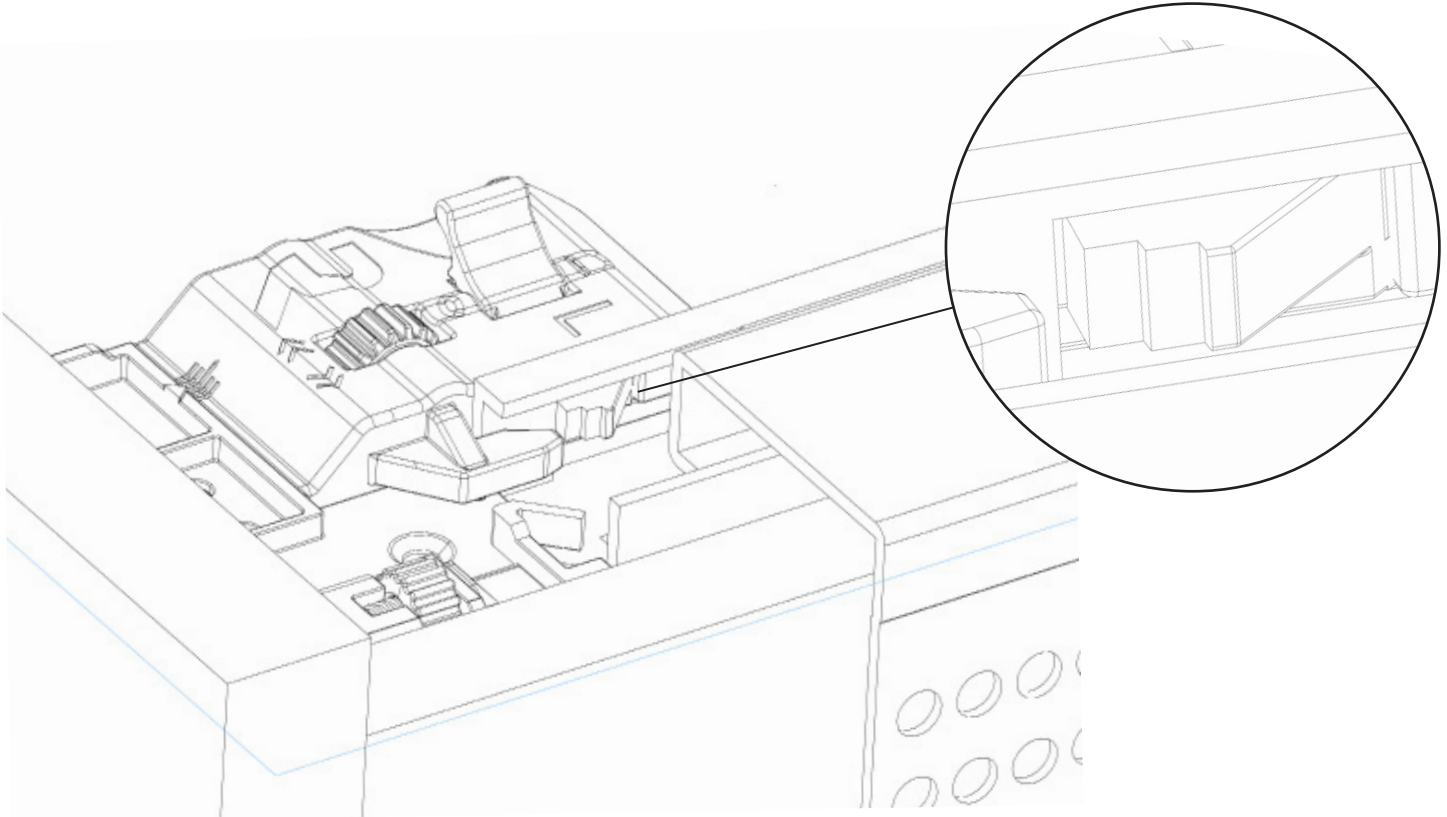
Attaching drawer boxes to the rails is as simple as placing the drawer box into its correct place. Simply keep the rails retracted, take the drawer and slide it into the bench opening. It should connect automatically. If not see the step below.





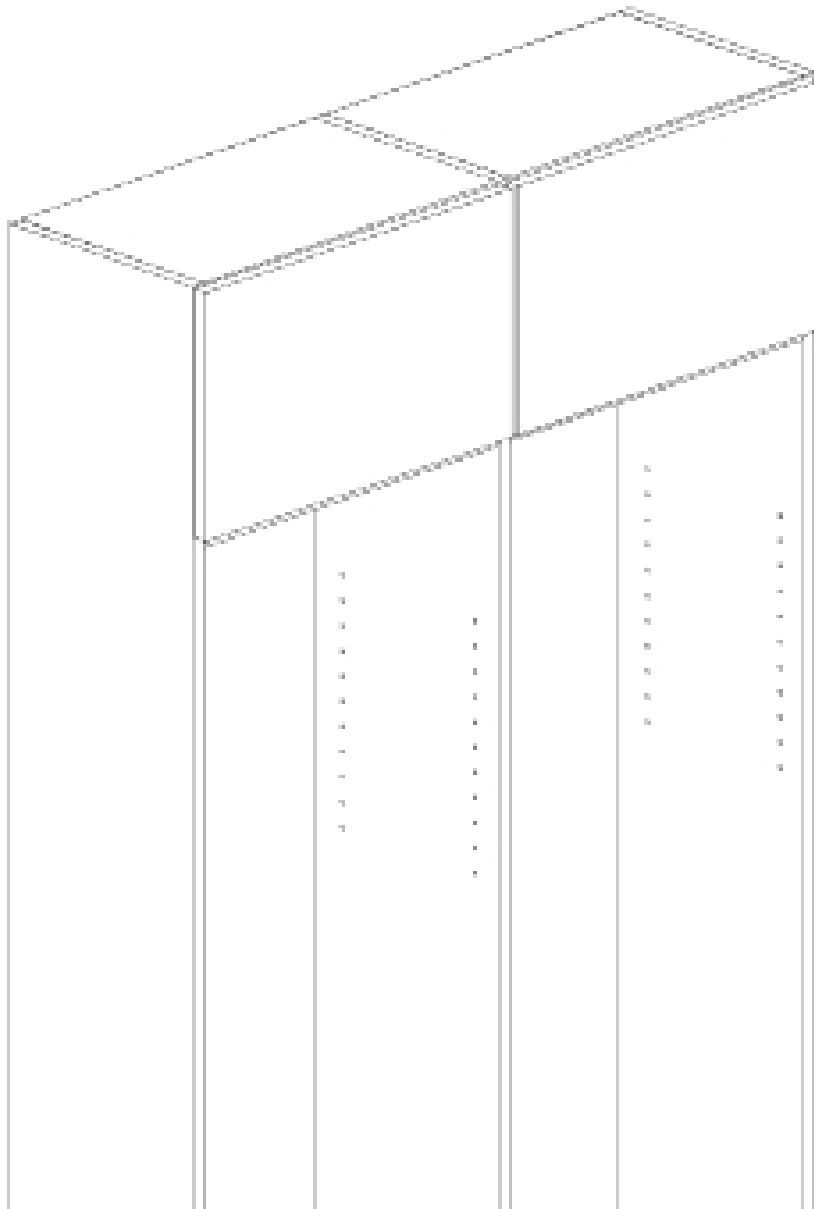
### Step 11b

If the slides did not catch, here is what to look for. On the drawer locks, the lever operated hinge should catch on the open slot of the extendable portion of the drawer slide shown below. The slide should also hook on to the back side of the drawer.



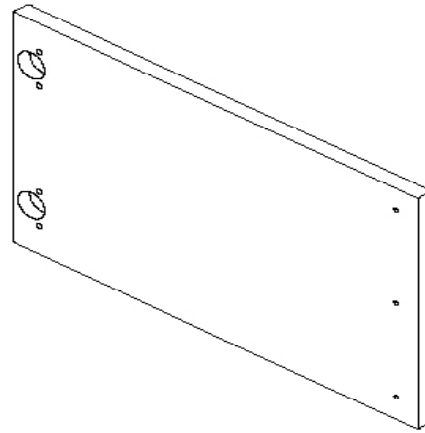


The door assembly on the top shelves will be built next.





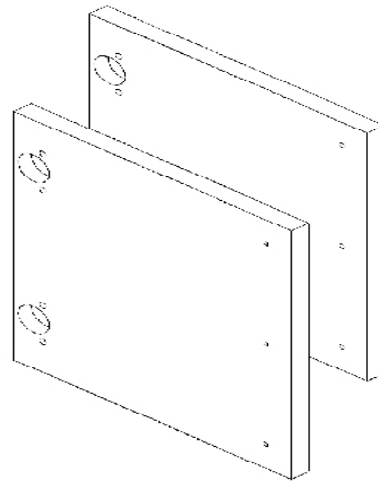
### Door Assembly Boxes Needed



MDR-DO



*(19.5" has 1 per pack and  
24" has 2 per pack)*



### Tools needed

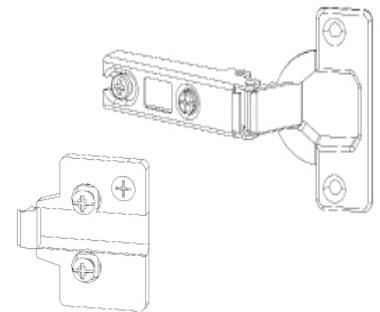
Philips screw driver



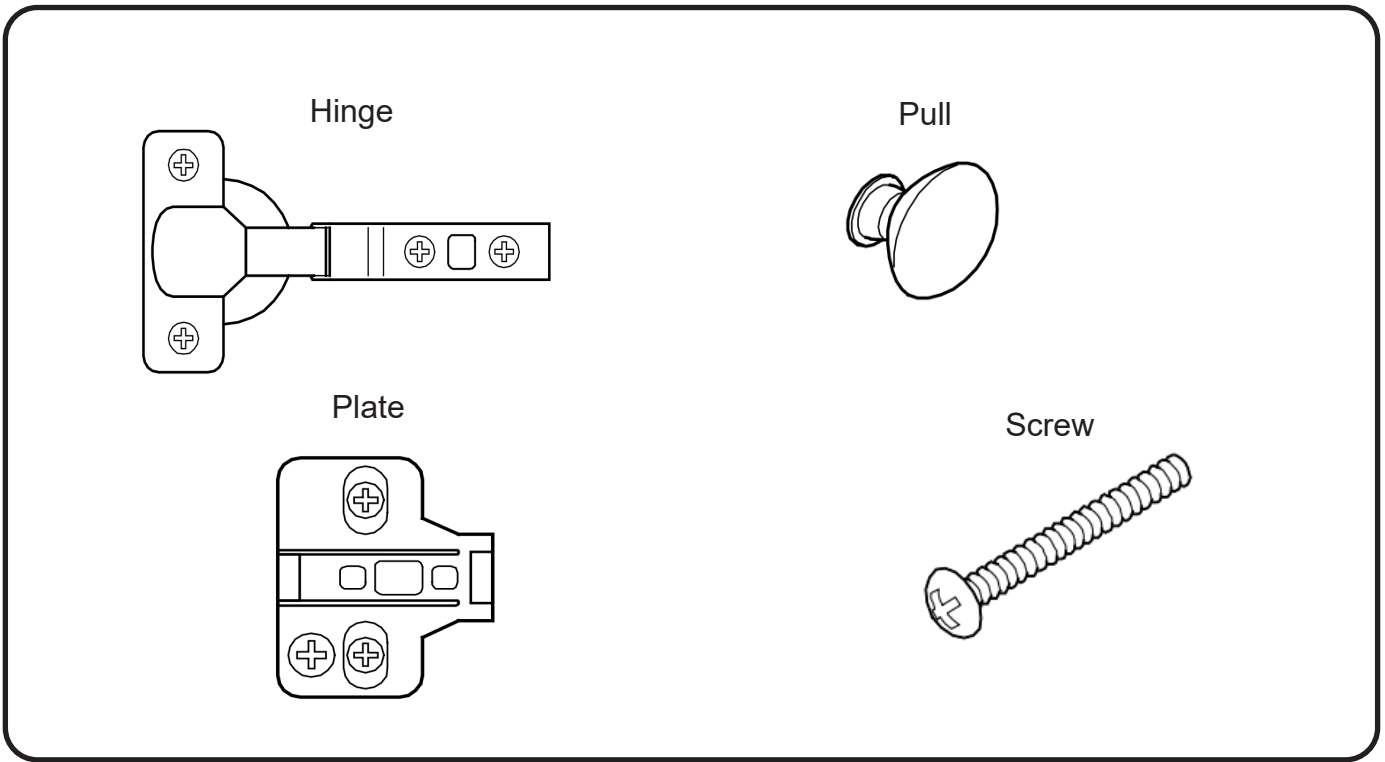
Rubber mallet



### Door Hinges/Plates (*Hardware Pack*)



Hardware Packs Needed  
ALT-HRDP-DO

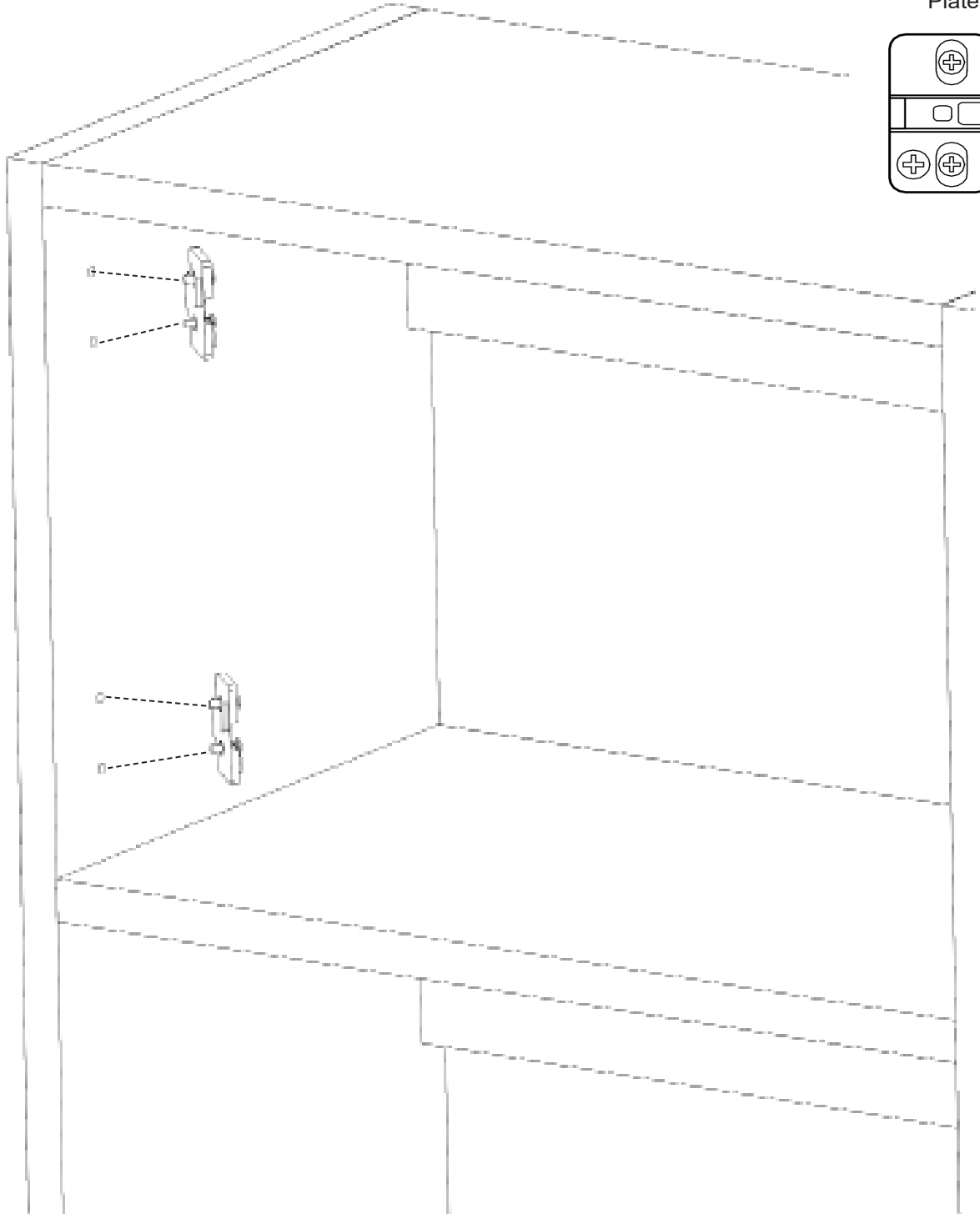
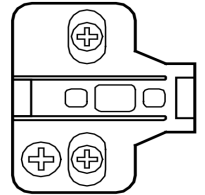




### Step 1

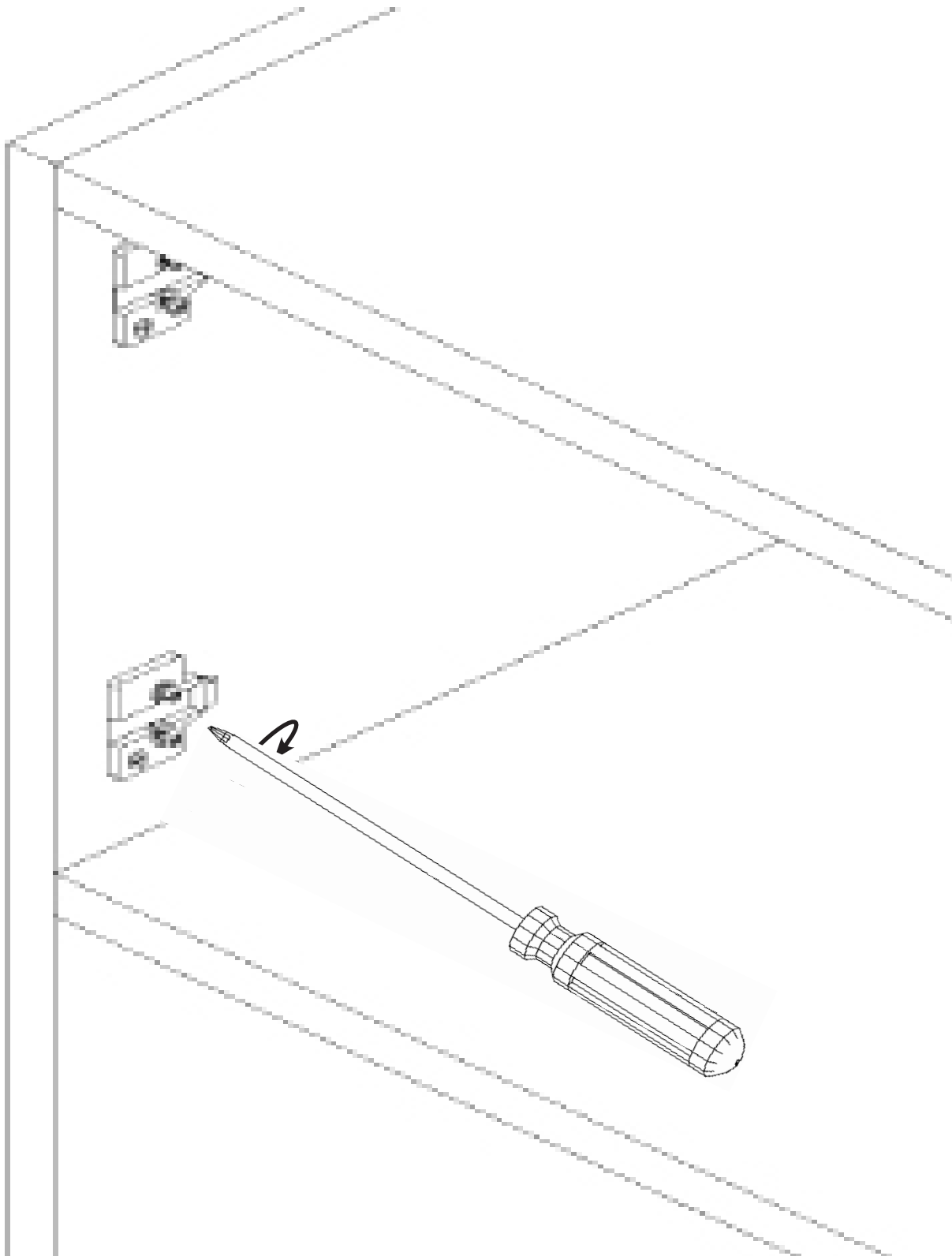
Take the hinge plate in the provided door hardware and line up the plate screws to fit into the top section of your choice.

Plate



## Step 2

Use screw driver to tighten hinge plates into the panel. Do not use a drill.

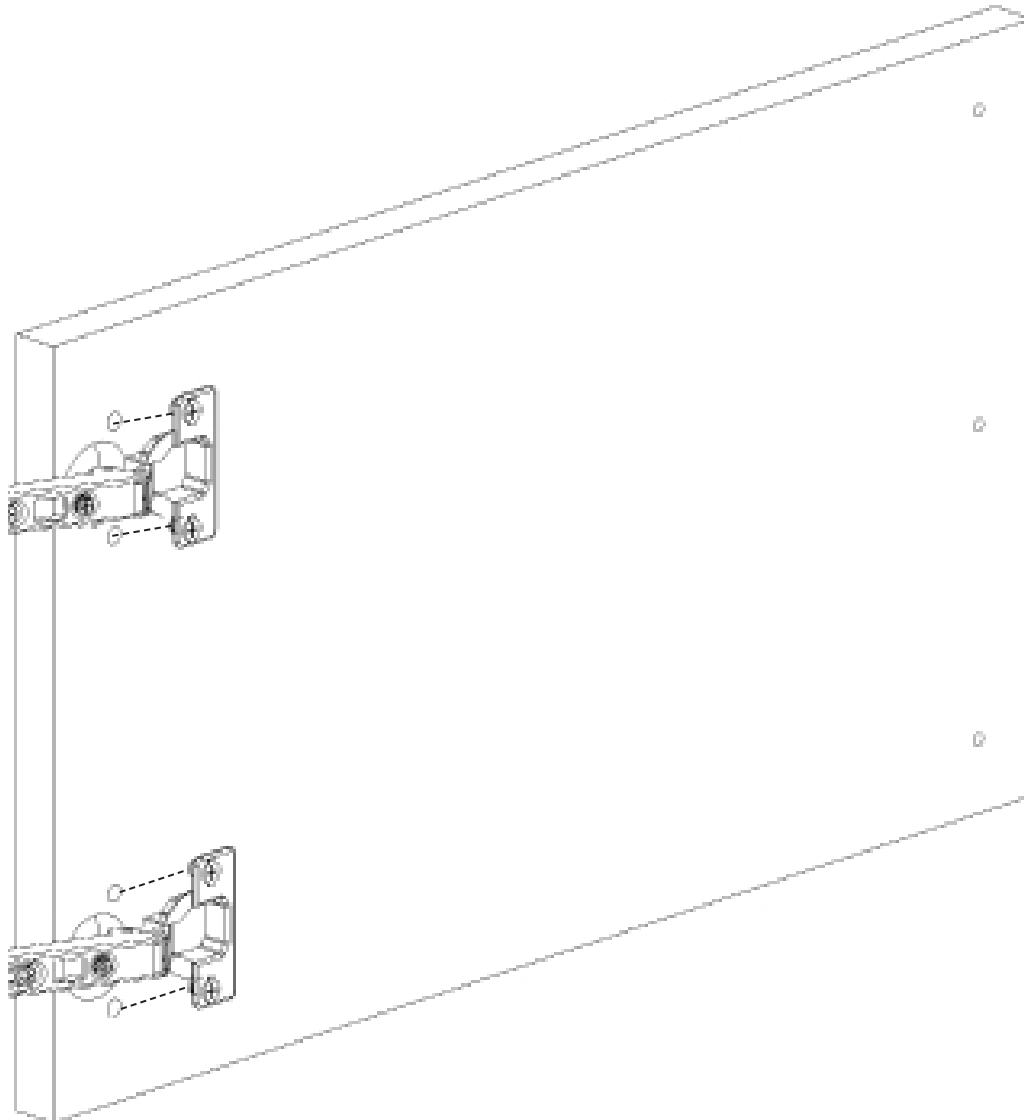
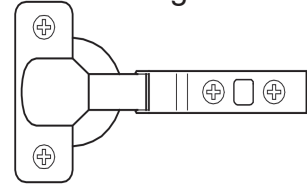




### Step 3

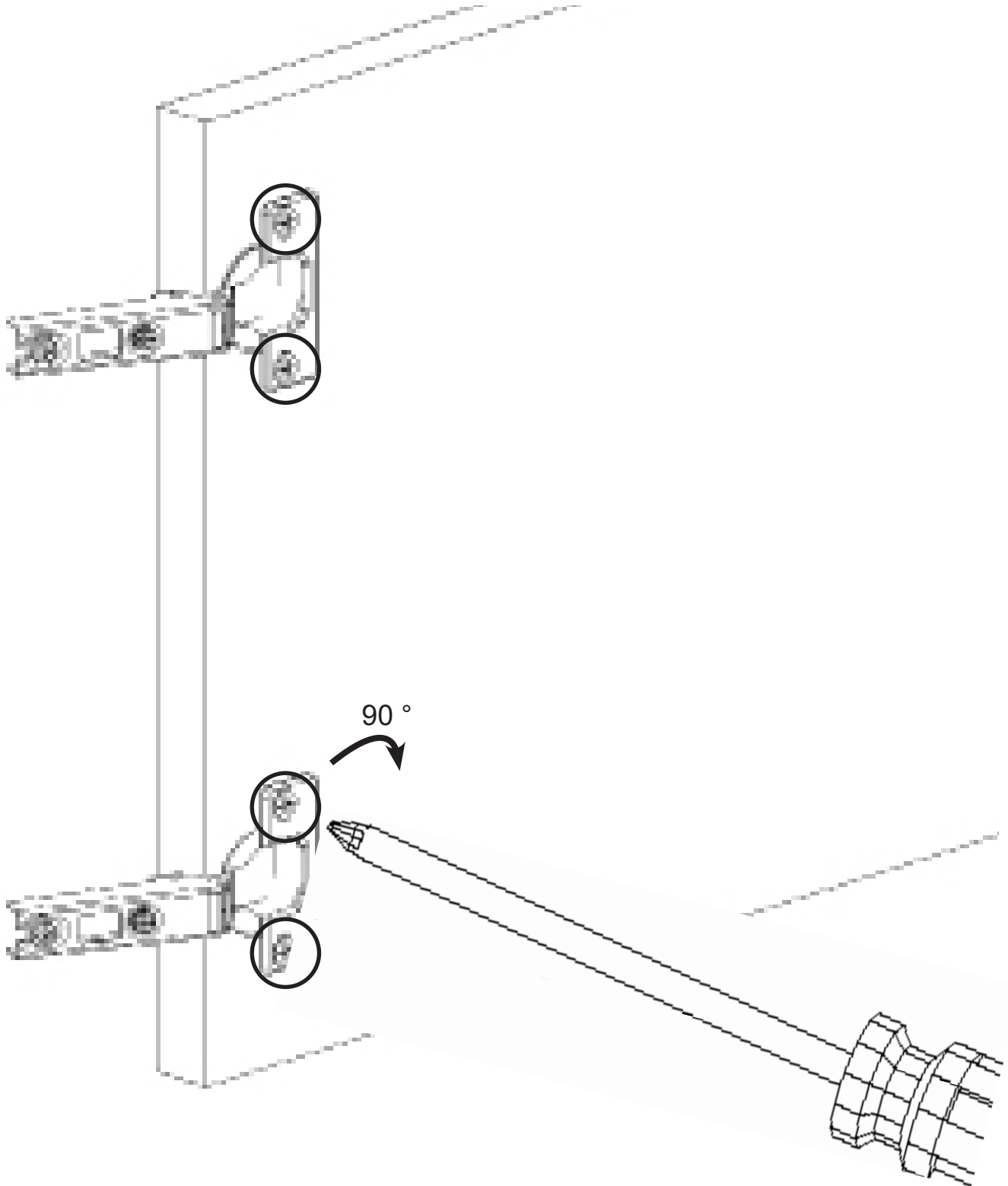
Slide door hinges from provided door hardware into the open slots of the doors.

Hinge



### Step 4

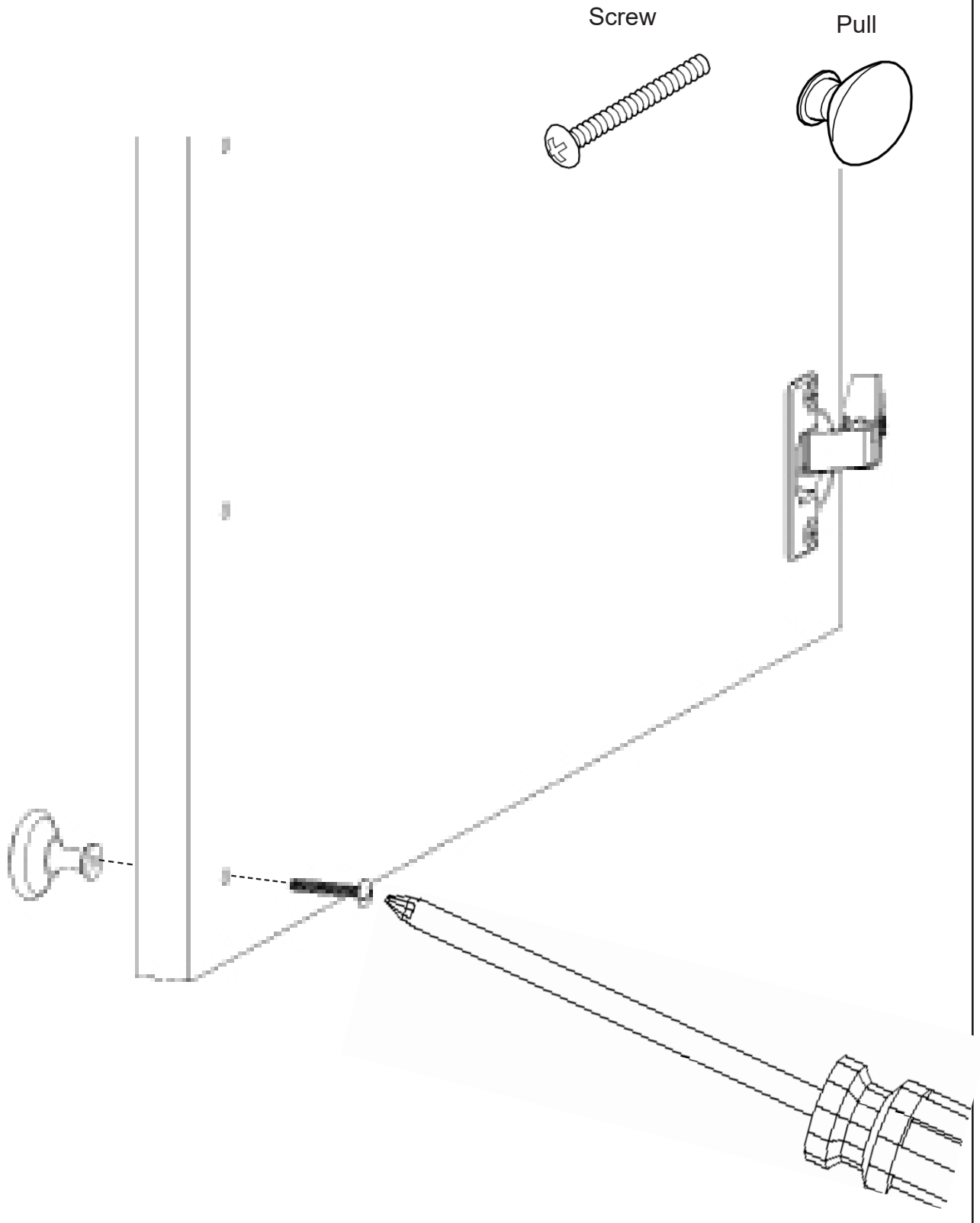
Using a screwdriver tighten only the highlighted captive screws on the door hinges 90 ° clockwise to lock them in place. Do not use a drill.





### Step 4b (optional)

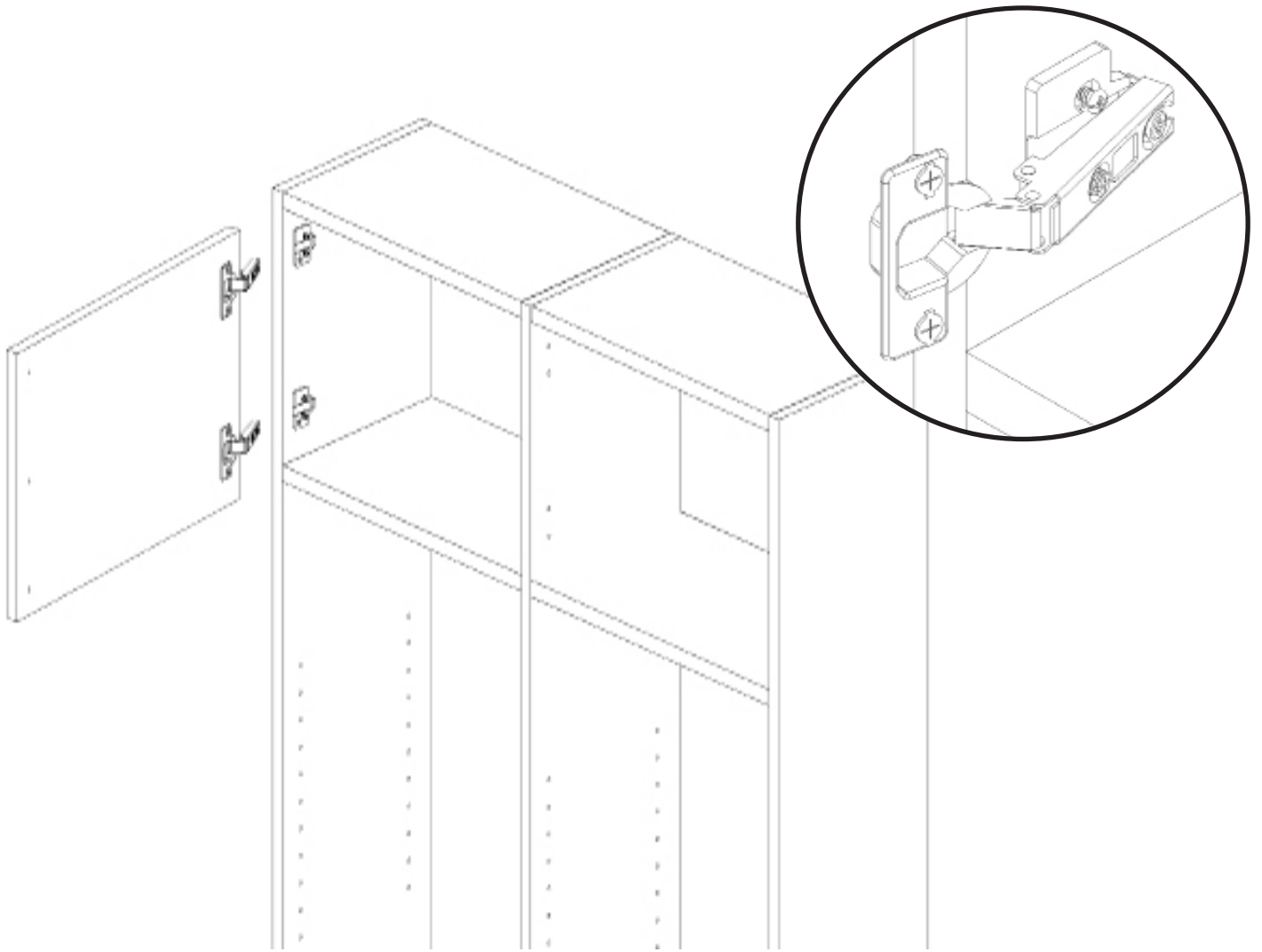
Install Door Knob by securing 1" screw into any of the pilot screws on the back of the door. You may have to use a drill bit to punch through hole.





### Step 5

Snap the door hinge into the installed plate hinge on the side panel.

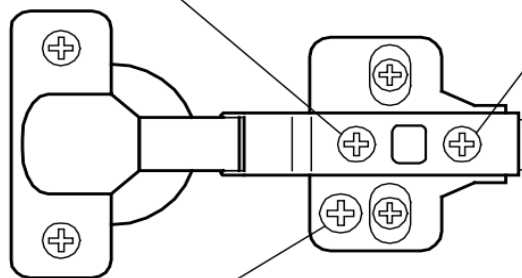


ADJUSTS POSITION OF HINGE  
IN OR OUT (DEPTH)

ADJUSTS POSITION OF  
HINGE SIDE TO SIDE

PRESS TO RELEASE HINGE  
FROM HINGE PLATE

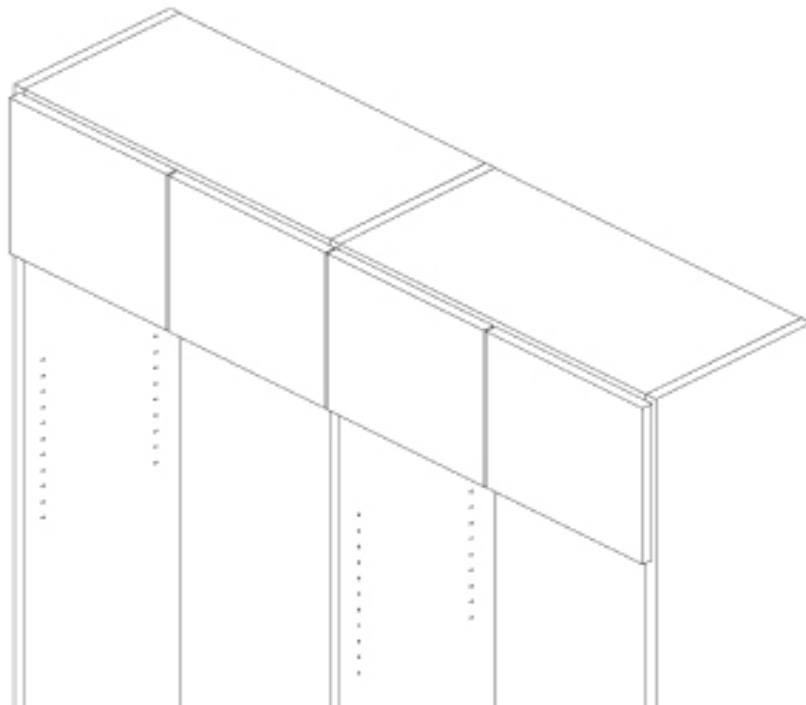
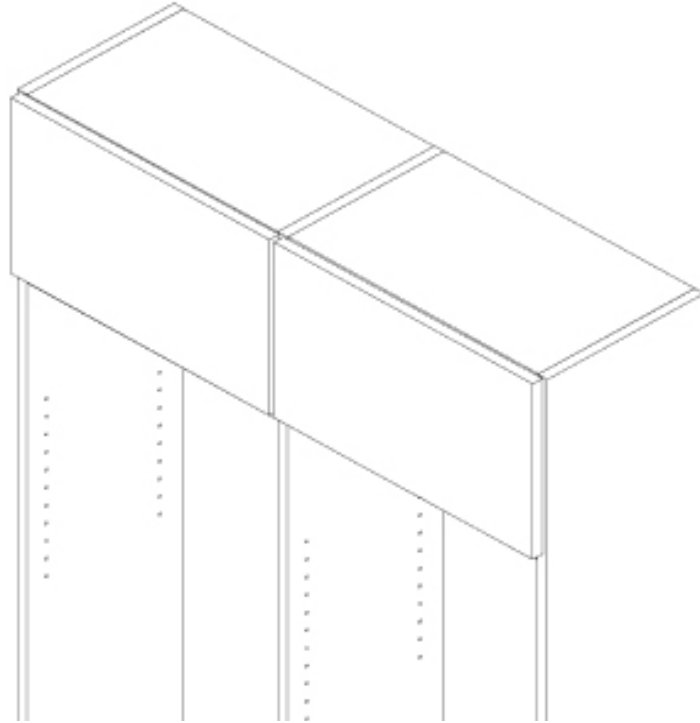
ADJUSTS POSITION OF  
HINGE UP AND DOWN





### Step 6

Repeat steps 1-5 for all remaining doors. Please note larger variants of the mudroom will use double doors for each top cubby.





To install supplied rod cups please use this printed sheet as a guide. Line up this paper's printed stencil holes, labeled A and B, to the vertical bores on the upper assembly panels. Use the center pilot line to accurately drill in the rod cups to the appropriate side/center panels.

A



Rod Cup Pilot Line



Rod Cup Pilot Line



Measurement Guide  
(Please turn paper horizontally.)

B

