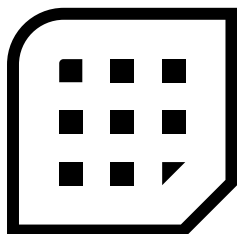
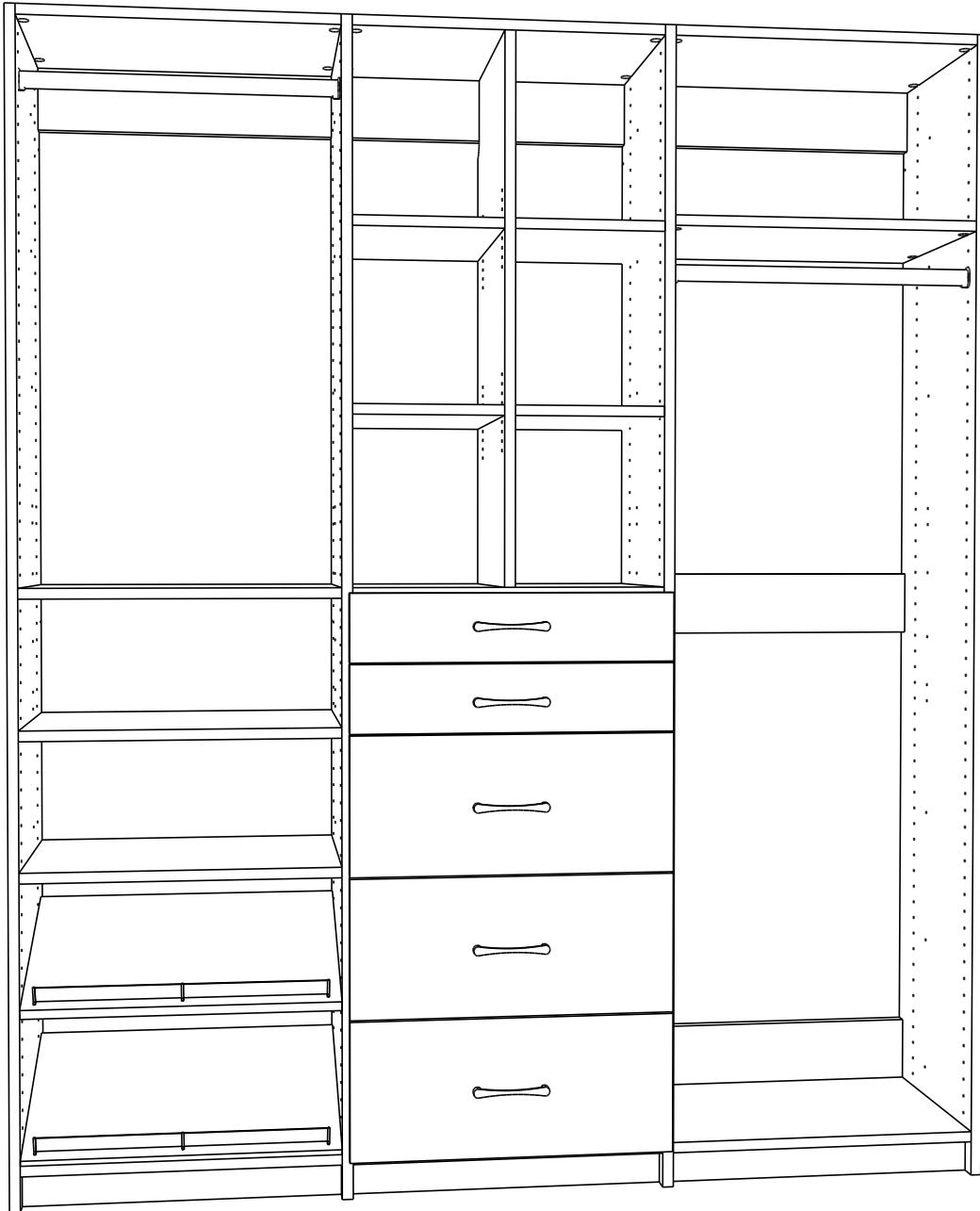


ALTO

ASSEMBLY INSTRUCTIONS



**modular
closets.**



Congratulations on your purchase!

For any questions reach out to support@modularclosets.com or call 844-969-4247

Thank you for choosing Modular Closets and our Alto closet system!

We are committed to providing you with a seamless and efficient storage solution that enhances the organization and functionality of your space. Before you embark on assembling your new Alto closet system, we want to emphasize a crucial step to ensure a smooth and successful installation.

Important: Understanding Your Components

Before you begin the assembly process, it is essential to familiarize yourself with the components provided in your package. Our Alto closet system includes various boxes containing different parts designated for specific towers. Properly identifying and organizing these components will prevent confusion and streamline the installation.

What You Need to Do

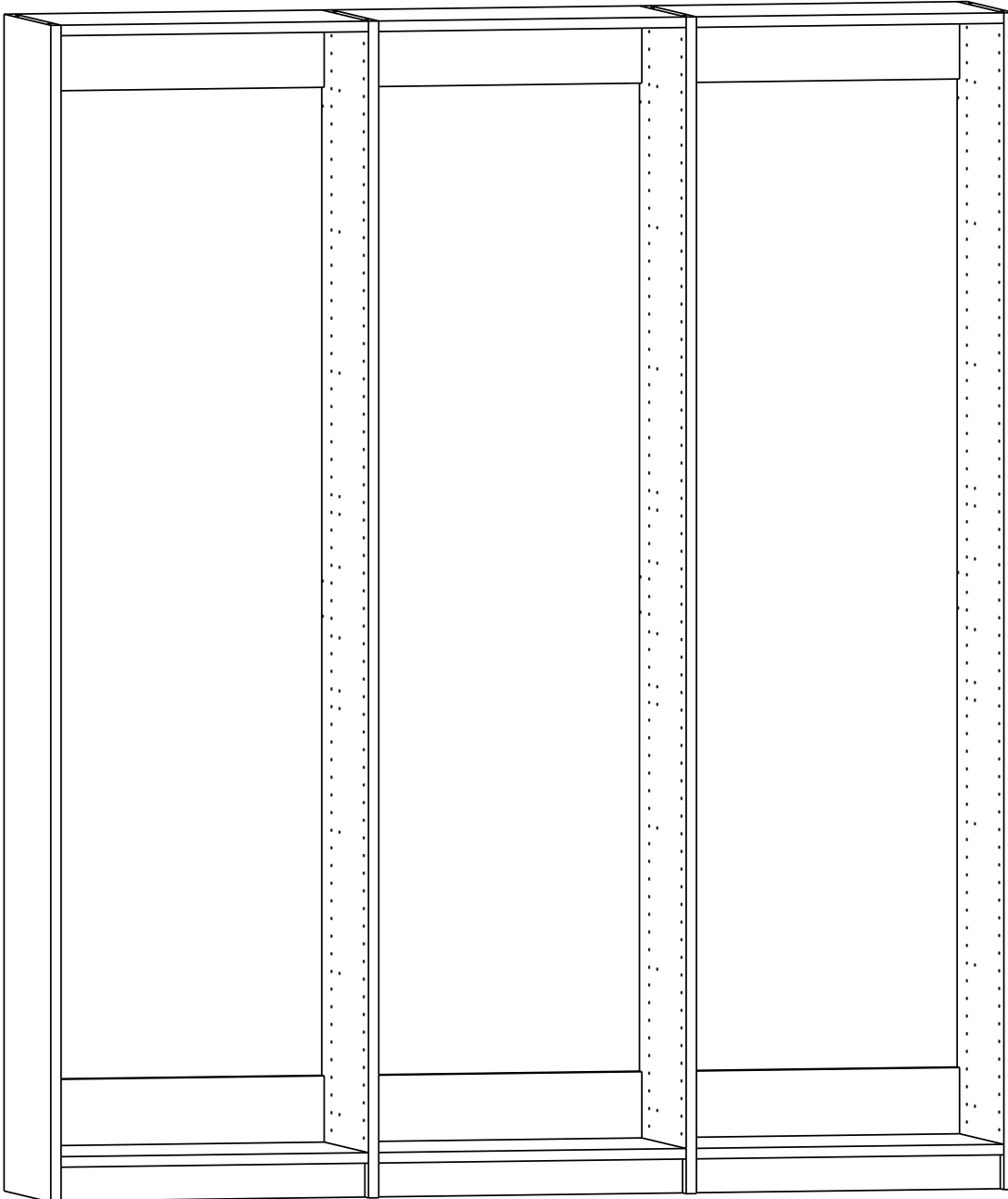
- 1. Inventory Check:** Begin by unpacking all the boxes and verifying the contents against the parts list provided. Ensure that you have all the necessary components and hardware.
- 2. Label and Sort:** Carefully read the labels on each box and sort the components according to the designated towers. This step is critical as it will help you avoid mixing parts that belong to different sections of the closet system.
- 3. Check Sizes:** Verify the sizes of the components against the measurements specified in your design PDF. Ensuring that each part matches the intended dimensions is crucial for a proper fit and installation.
- 4. Reference Your Design PDF:** Use the design PDF provided with your order to map out the correct placement of each component. This document will guide you in matching the parts to their specific locations within the closet system.
- 5. Read the Instructions:** Thoroughly read through the entire instruction manual before starting the assembly. Understanding the overall process and the sequence of steps will save you time and effort.

By taking the time to carefully organize, understand your components, and reference your design PDF, you set the stage for a successful and stress-free installation. We are confident that with a little preparation, you will find the assembly process straightforward and rewarding.

Thank you for your attention to these important details.

Now, let's get started on transforming your space with your new Alto closet system from Modular Closets!

The base units will be built and installed first in the following steps, and on page 24 starts the interior components assembly

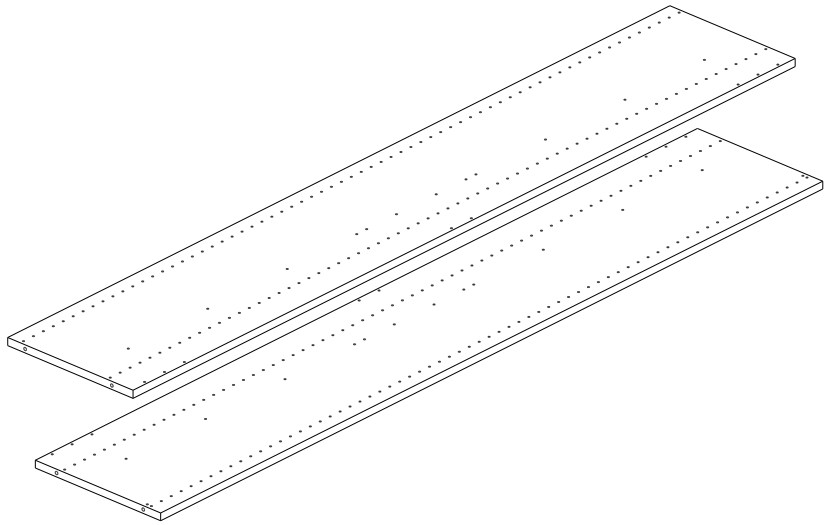




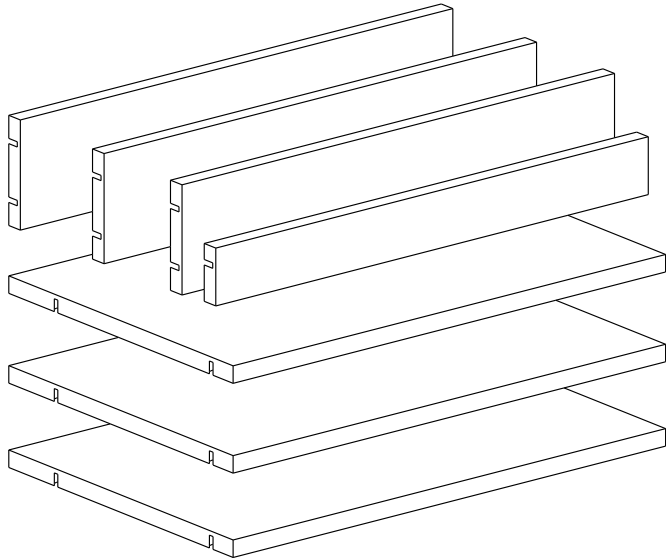
Boxes Needed

ALT-SP
Alto Side Panel Pack

There are no Right and Left as each panel is built to be able to go on either side.



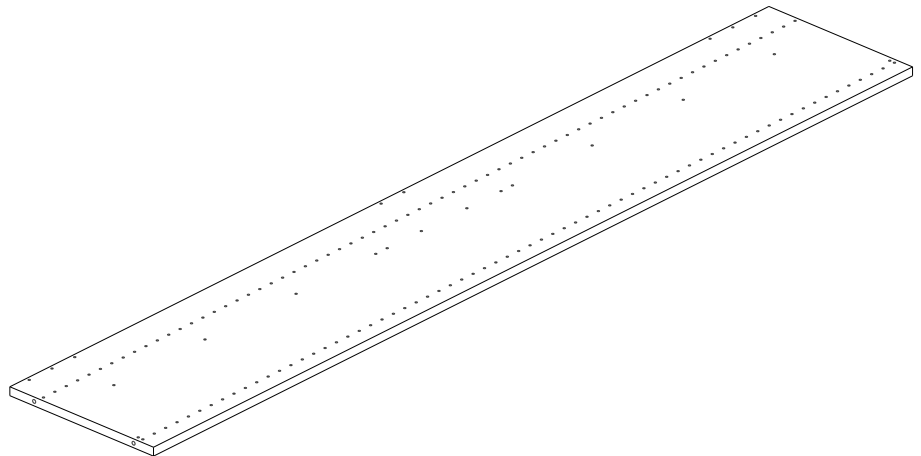
ALT-FS
Alto Fixed Shelf Pack



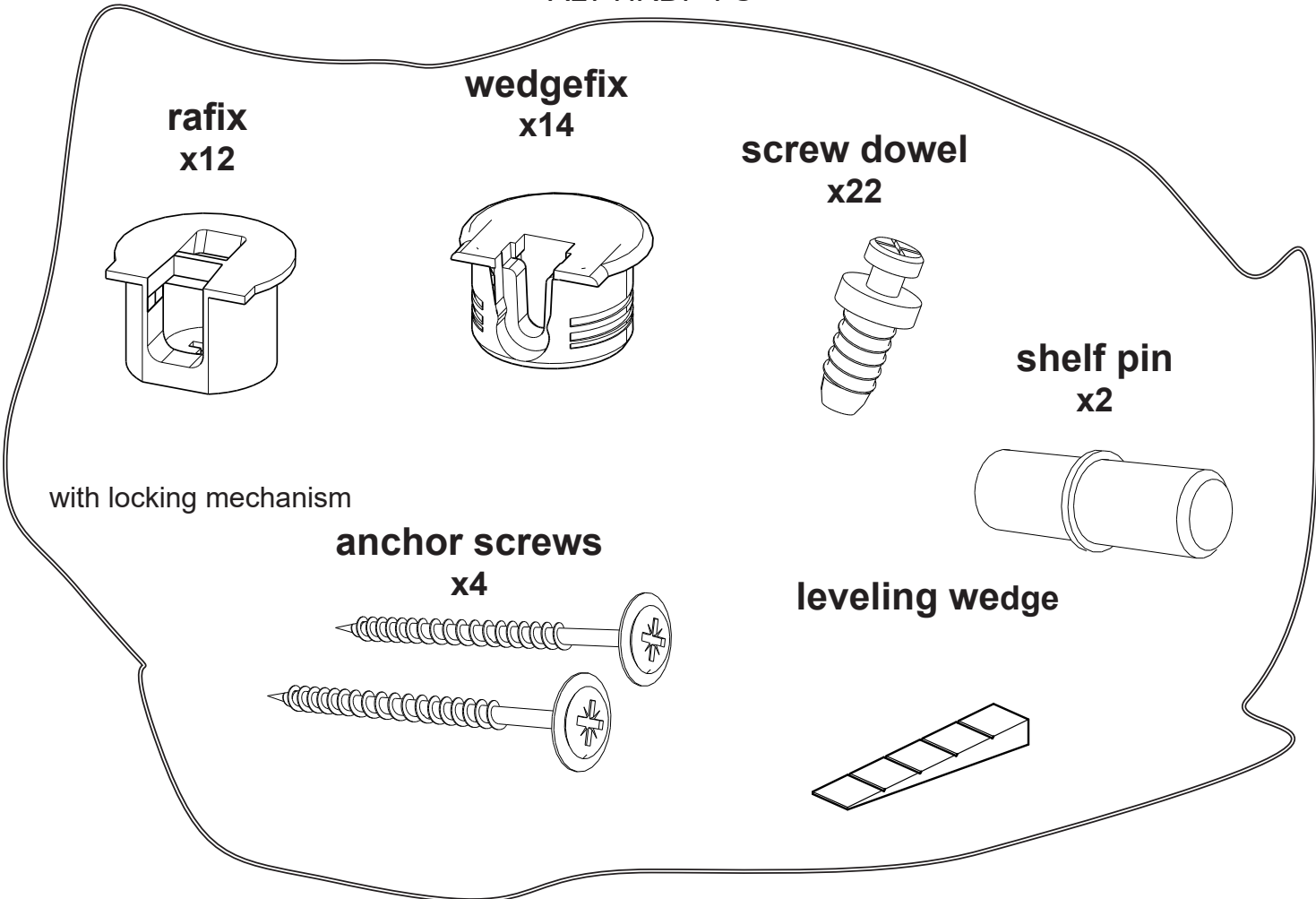
For combined units



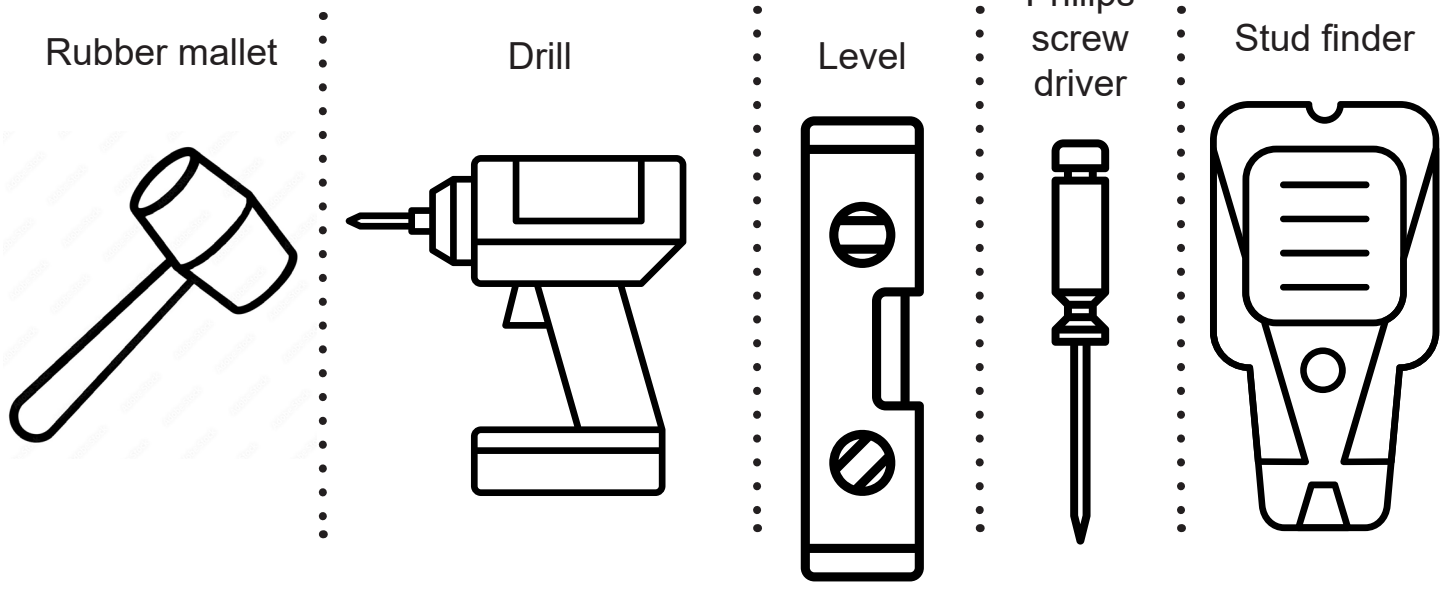
ALT-CP
Alto Center Panel
(1 or 2 Pack)



Hardware Packs Needed
ALT-HRDP-FS



Tools needed



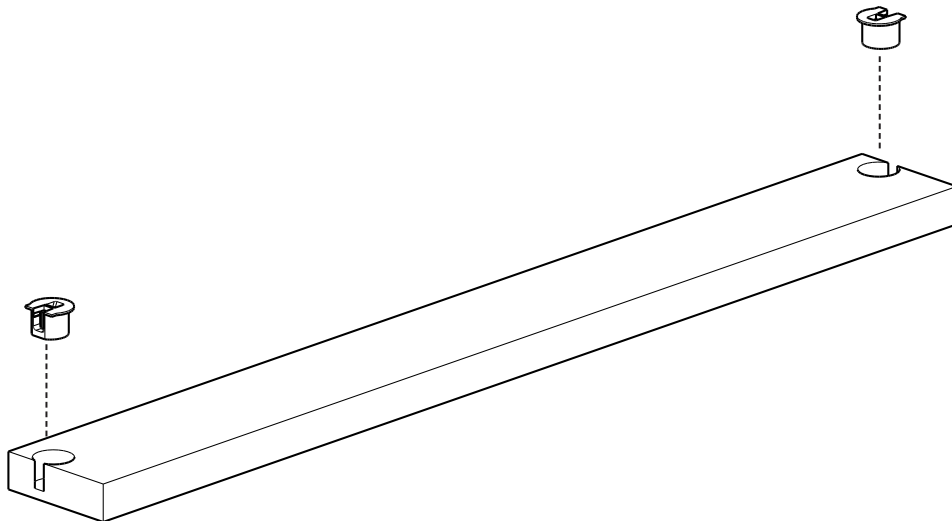
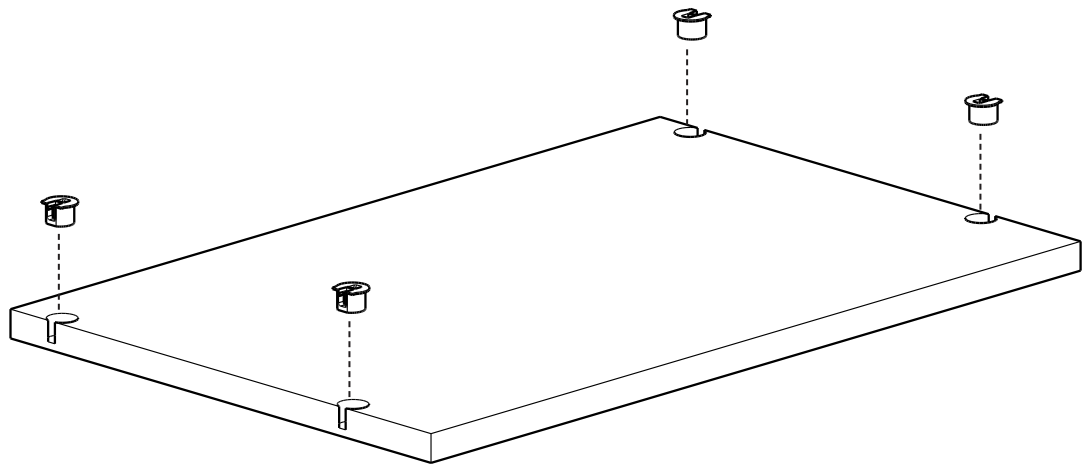
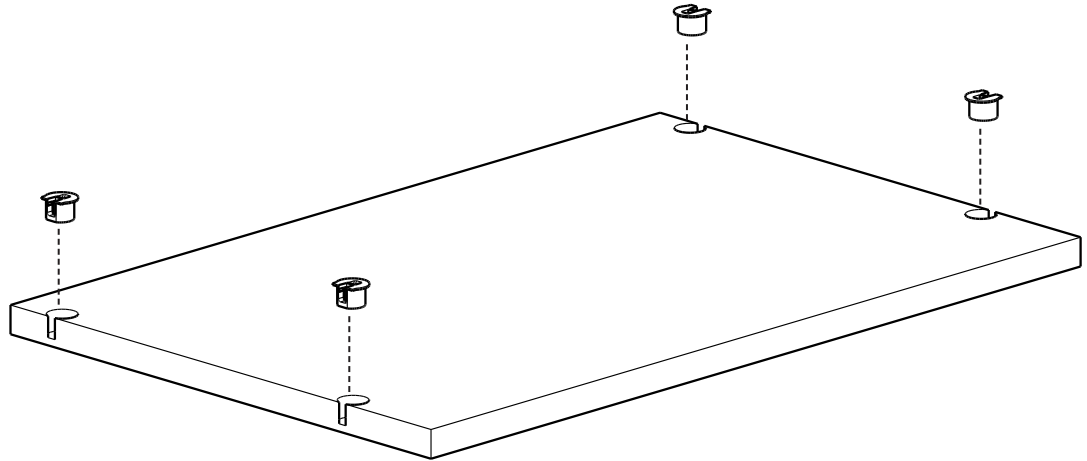
2 person assembly suggested



Step 1

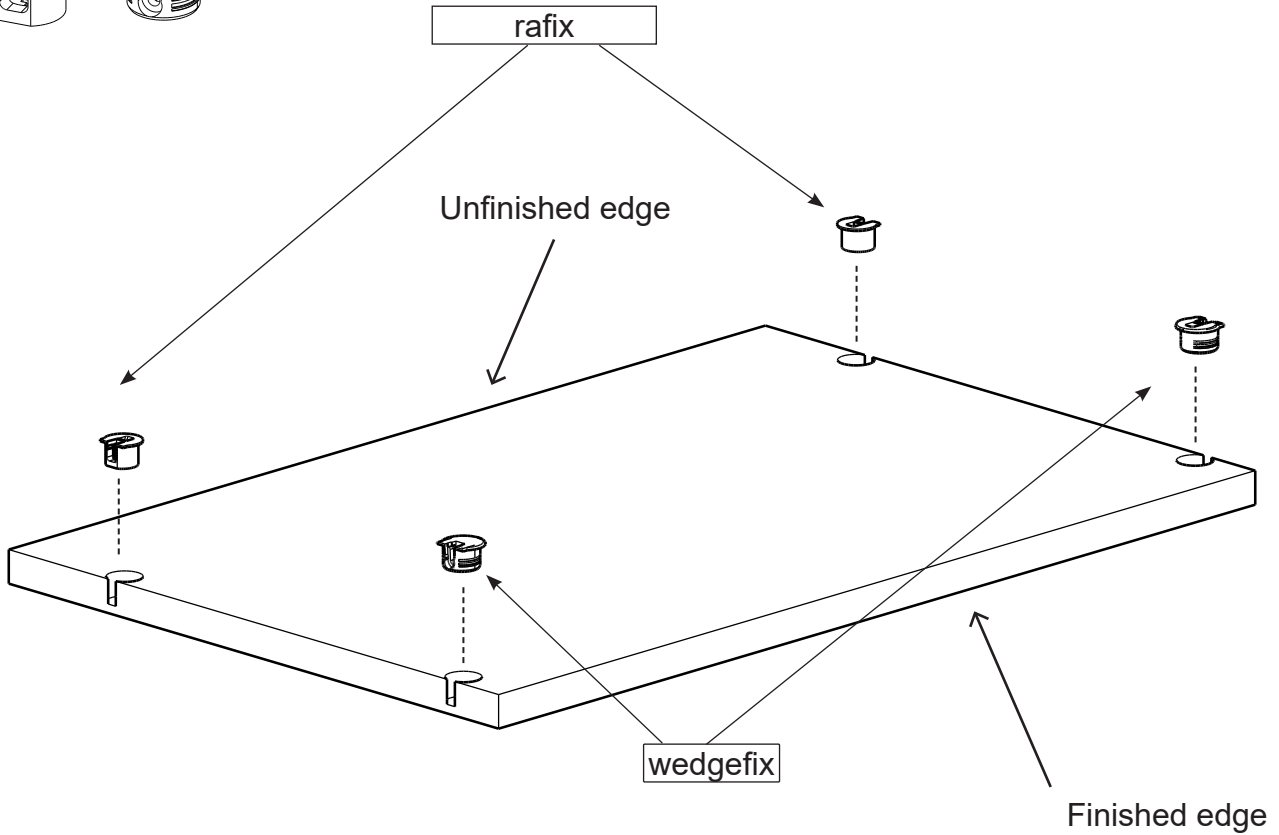
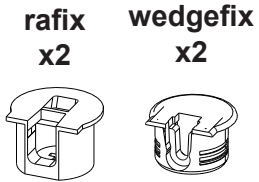
From Box ALT-FS take 2 shelves and the toe kick and insert the rafixes as shown below.

rafix
x10



Step 2

For the 3rd fixed shelf, insert 2 rafxes in the holes closer to the unfinished edge, and 2 wedgefixes in the holes closer to the finished edge.



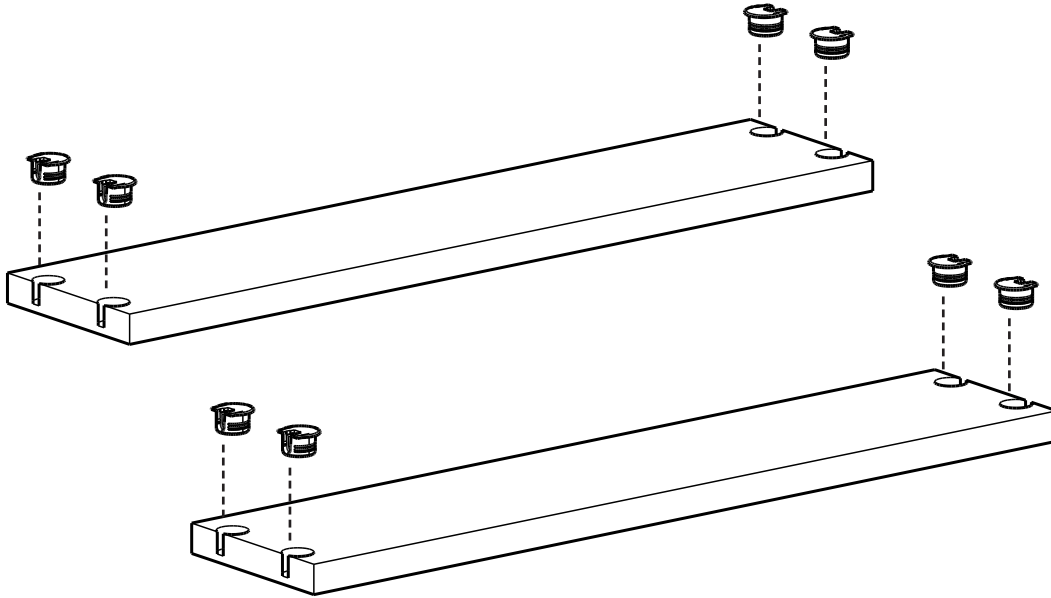
This will be used as the bottom fixed shelf



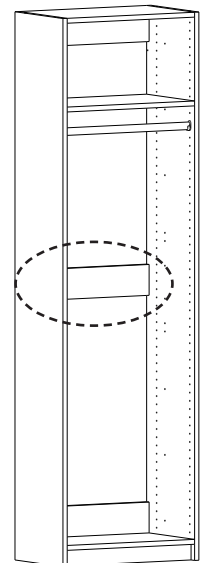
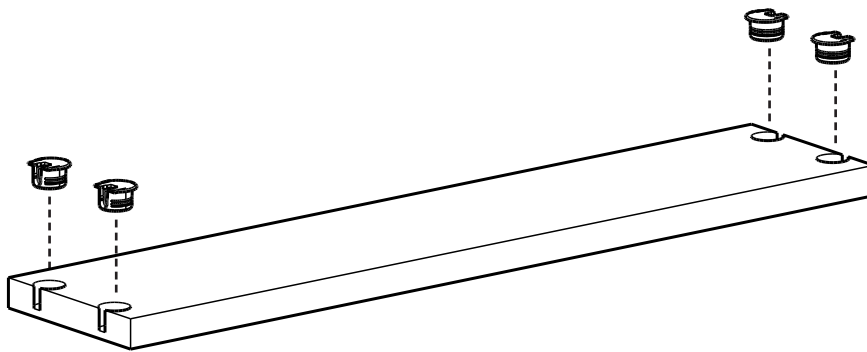
Step 3

Insert wedgefixes into 2 (or for tall hanging, 3) cleats.

wedgefix
x12



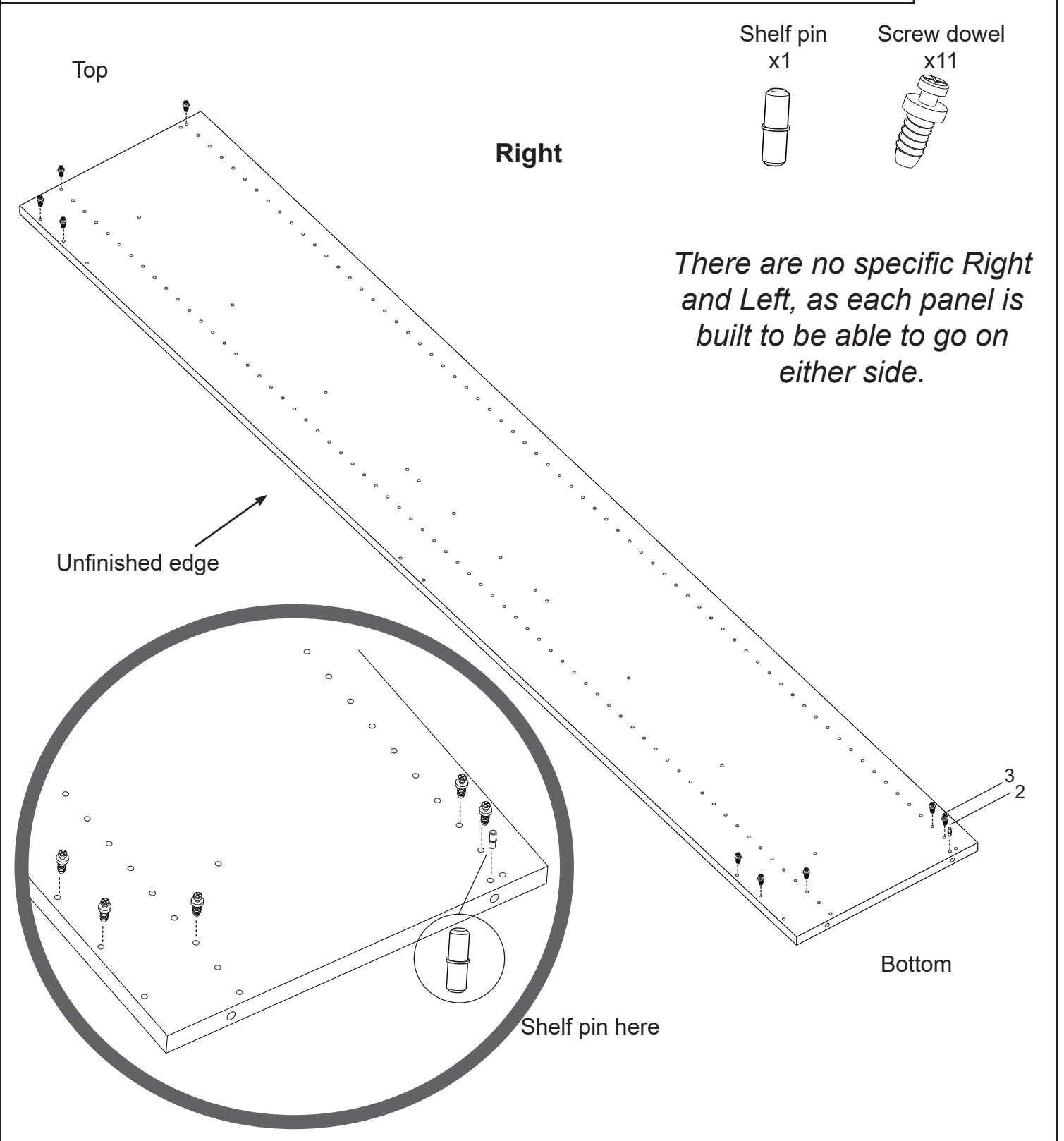
The third cleat will only be used in a tall hanging configuration



Repeat the above 3 steps for all the fixed shelf packs

Step 4

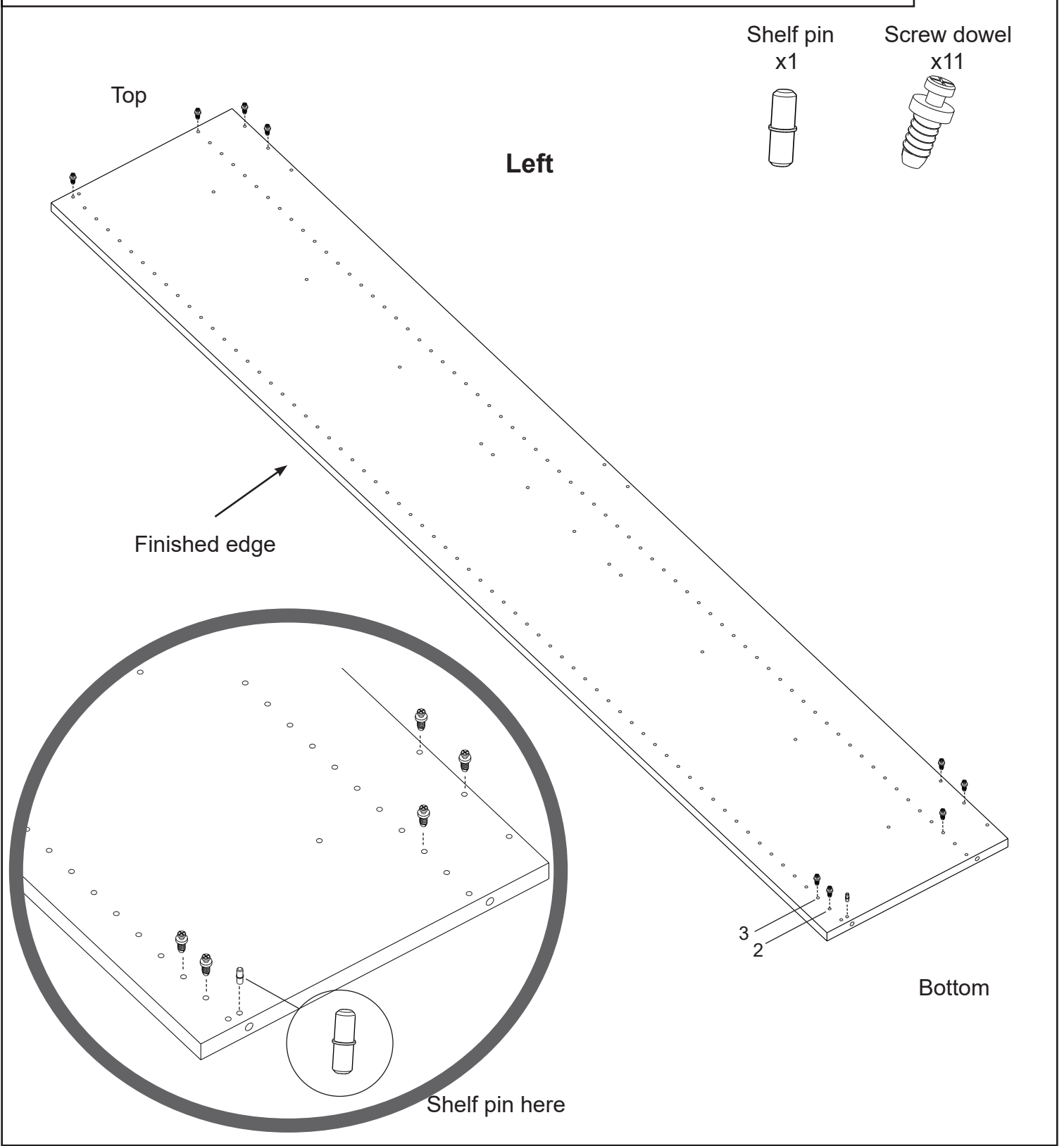
Next, open the side panel pack ALT-SP and insert the screws on the first panel as shown below.





Step 5

Insert the screws into the second panel as shown below.



Step 6

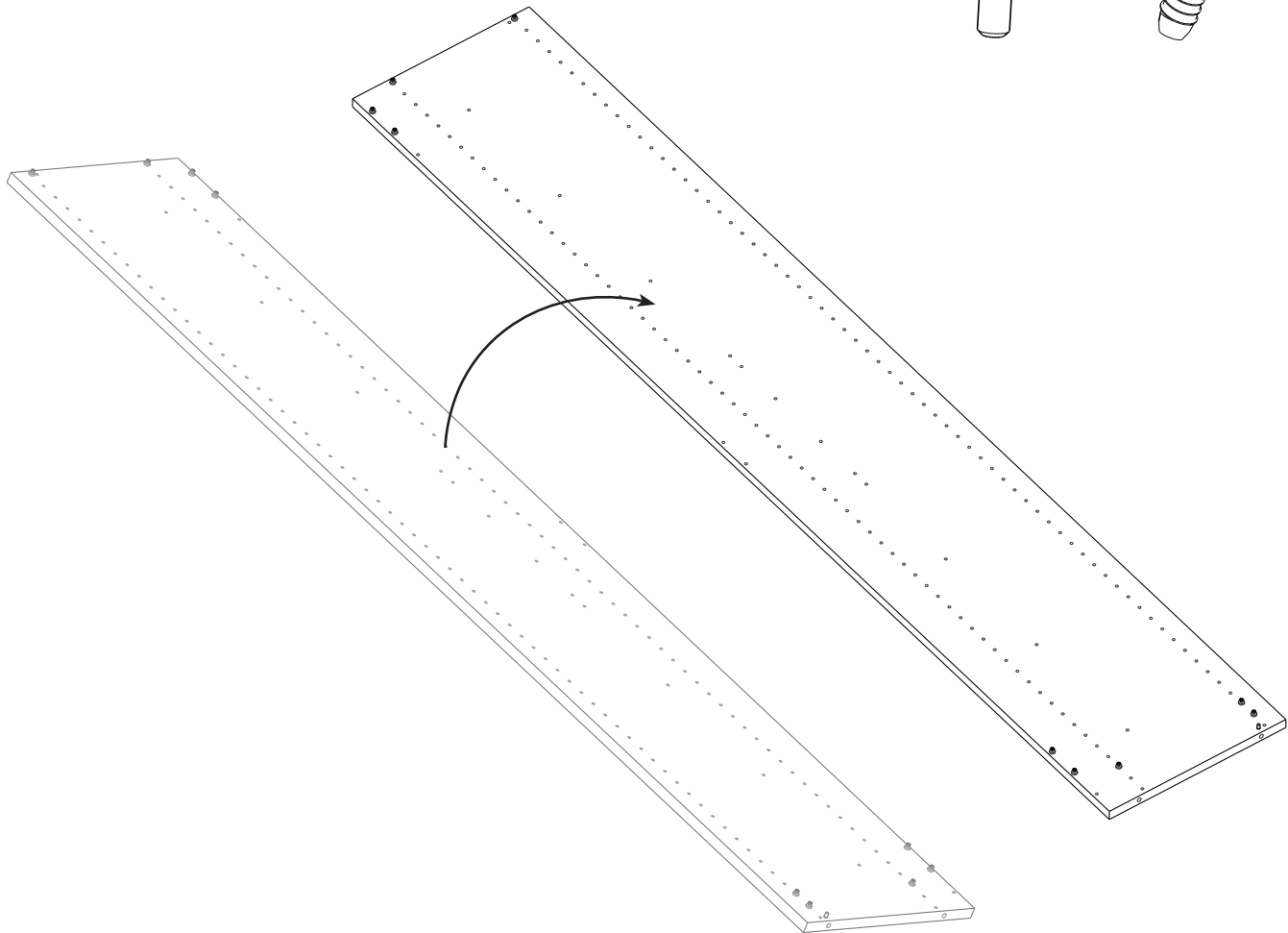
If using Center Panels:

From box ALT-CP take the side panel and insert screw dowel as shown in step 4. Then flip it over, and insert dowels as shown in step 5.

Shelf pin
x2



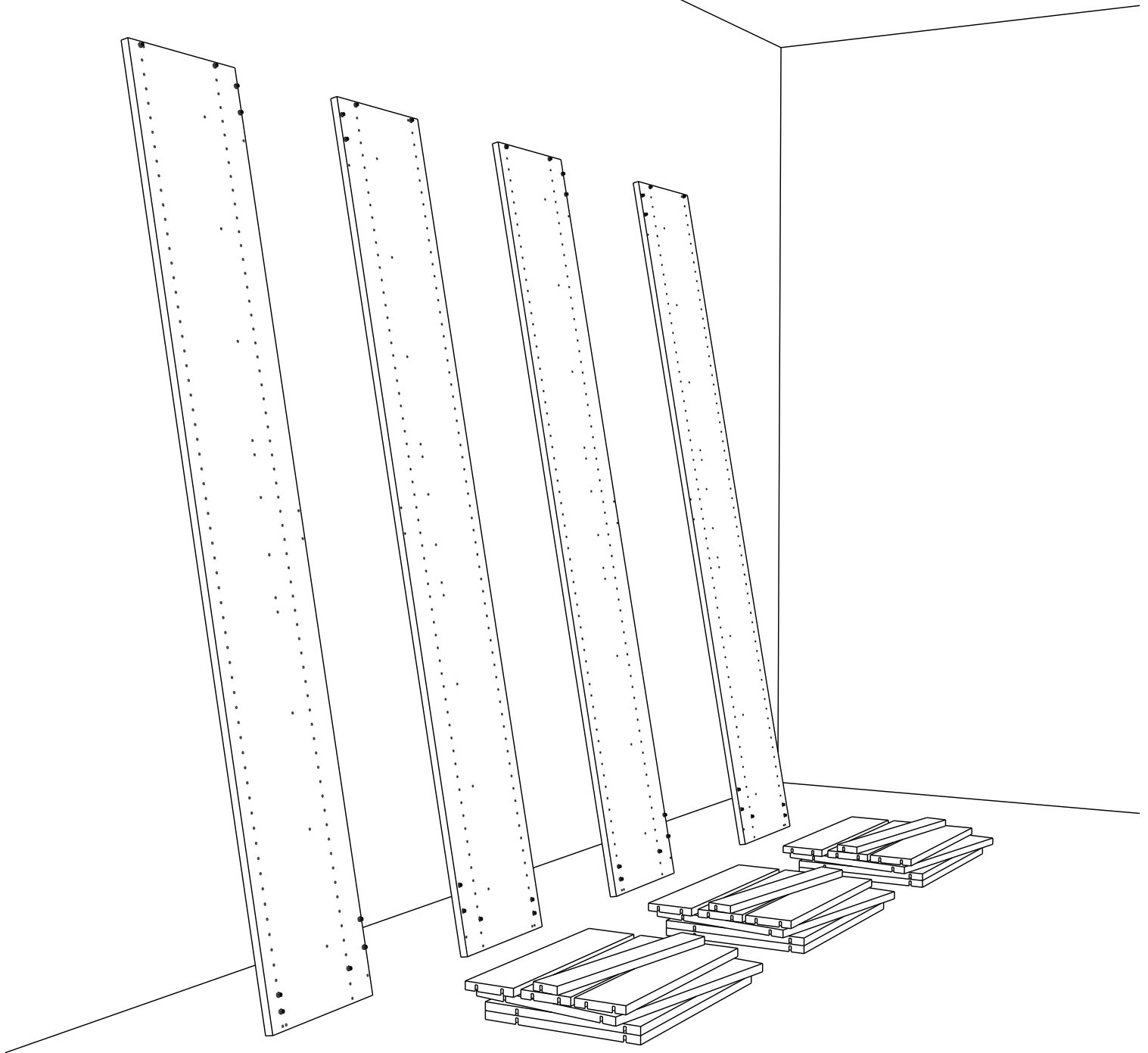
Screw dowel
x22





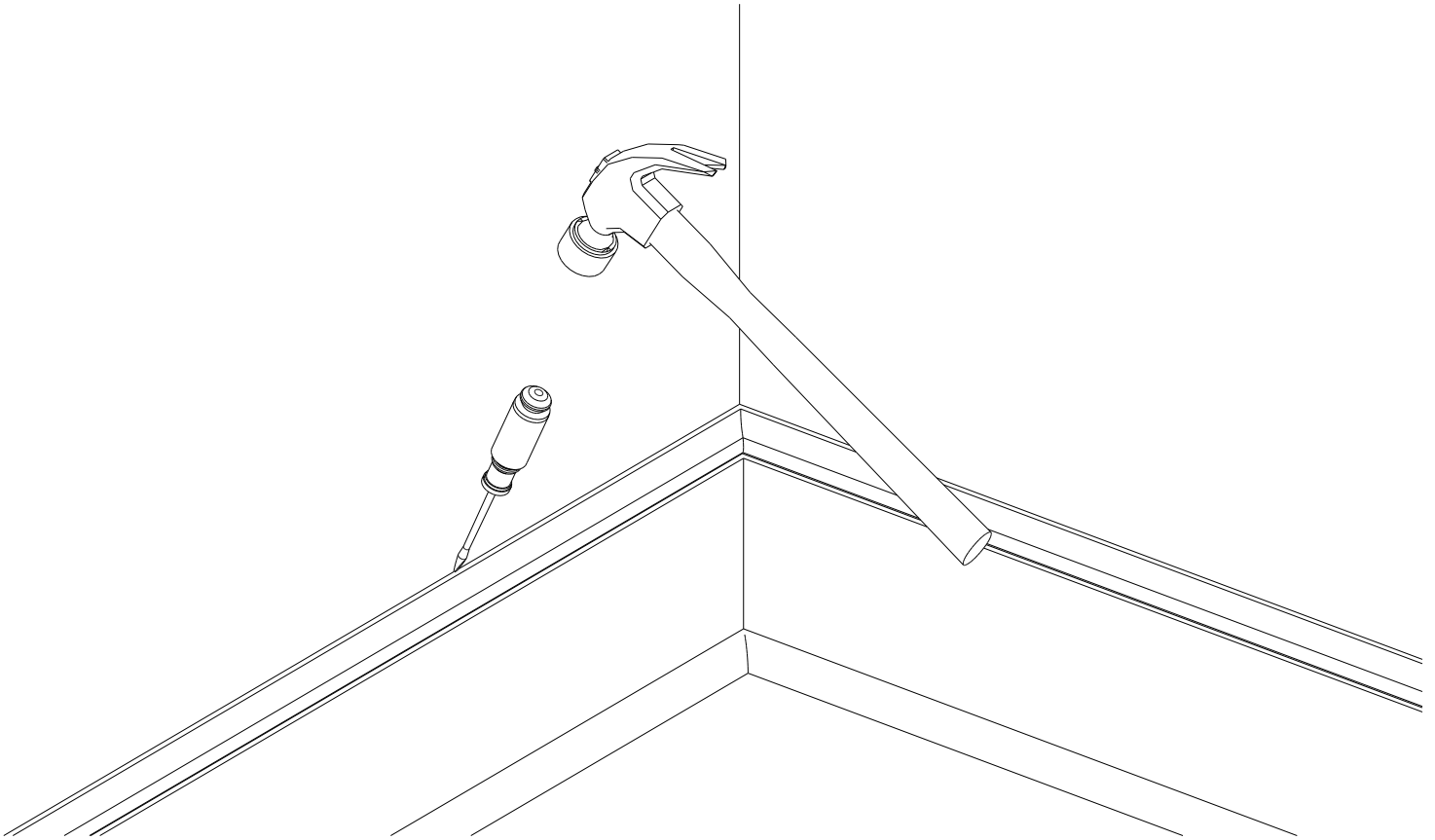
Step 7

Line up the panels along the wall in the order that the panels will be installed. Side panels will be on each end with center panels in the middle. Set up piles with the fixed shelves and cleats in between the panels, in order to have them on hand during the installation. Ensure that you have the correct sizes in the correct spots.



Step 7b

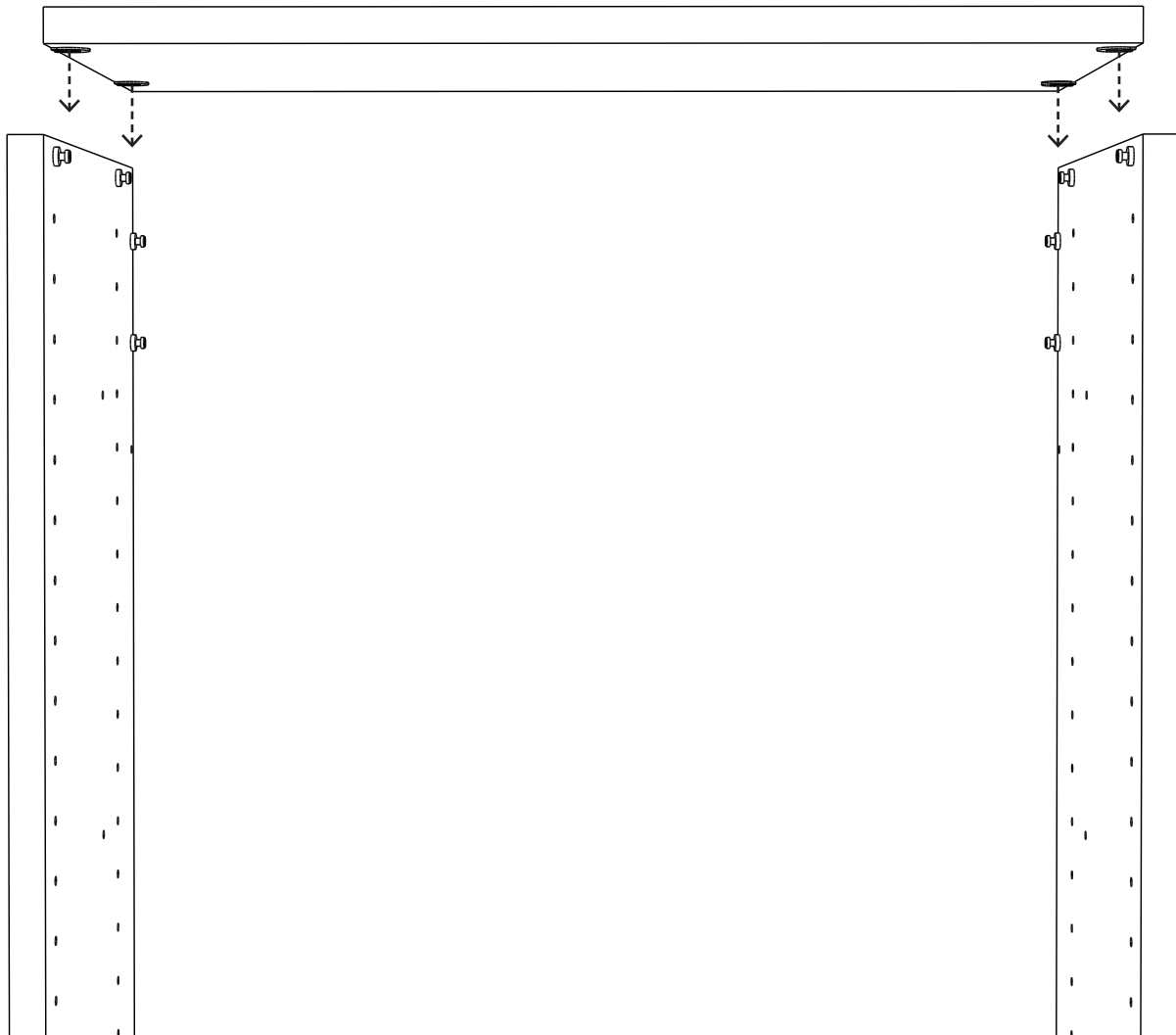
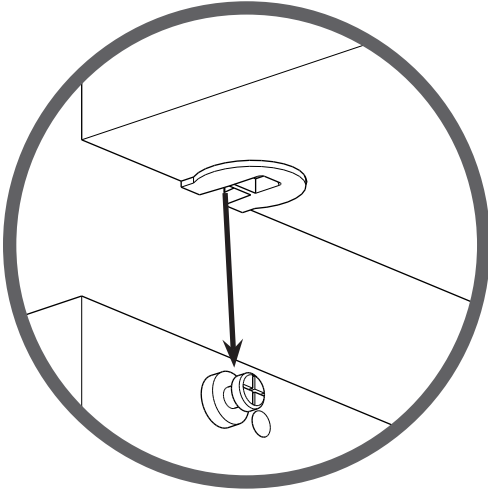
Remove the moldings from your space so the closet should be flush against the wall, this can be done with a hammer and flat head screw driver as shown.





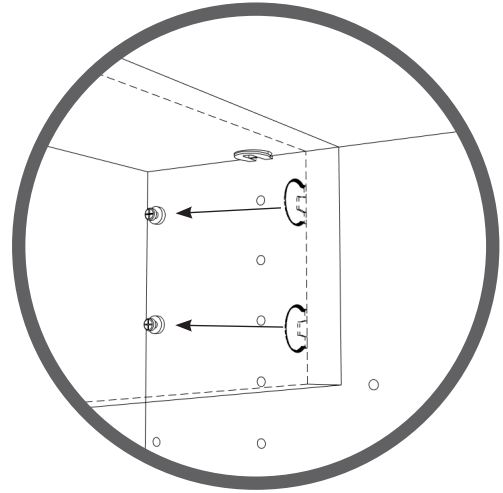
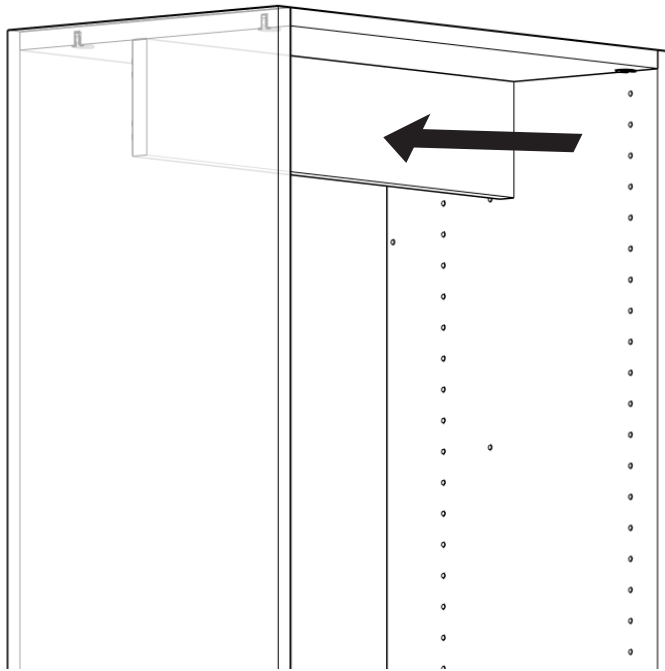
Step 8

Connect the left-most side panel to the adjacent center panel by attaching 1 of the fixed shelves (rafixes only) onto the top of the panels, as shown below. (refer to your closet plan to ensure the correct shelf size)



Step 9

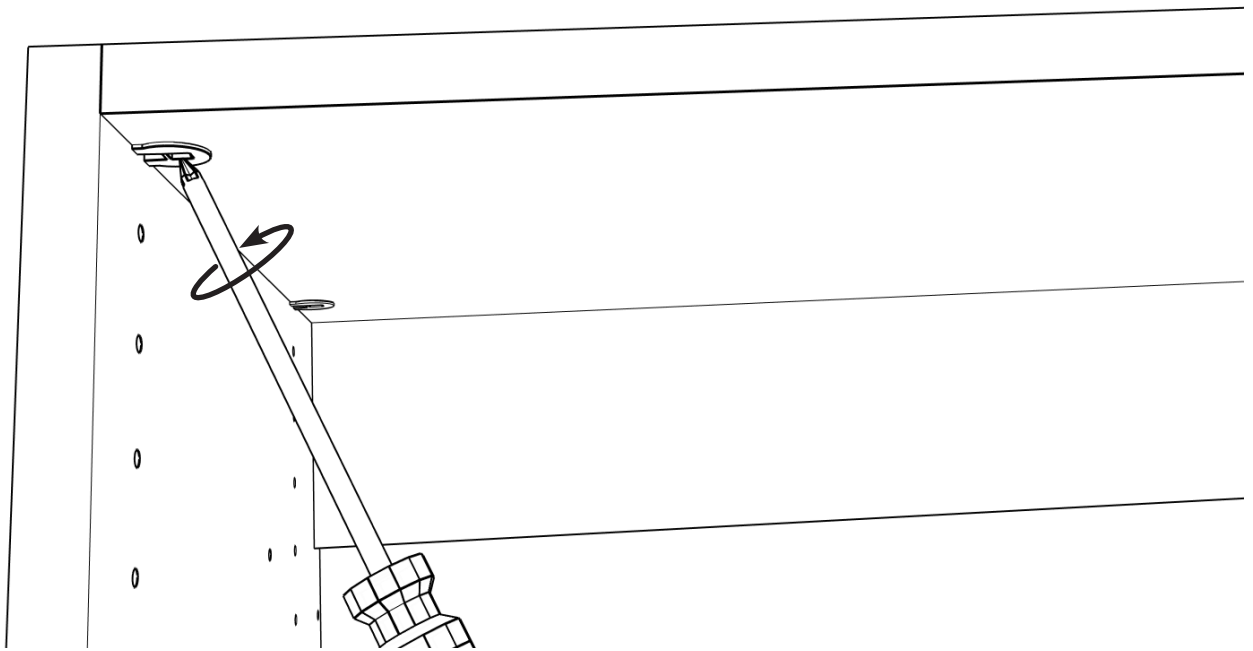
Hold steady and connect the cleat to the panels by simply clicking the wedgfixes into the screw dowels on each side.





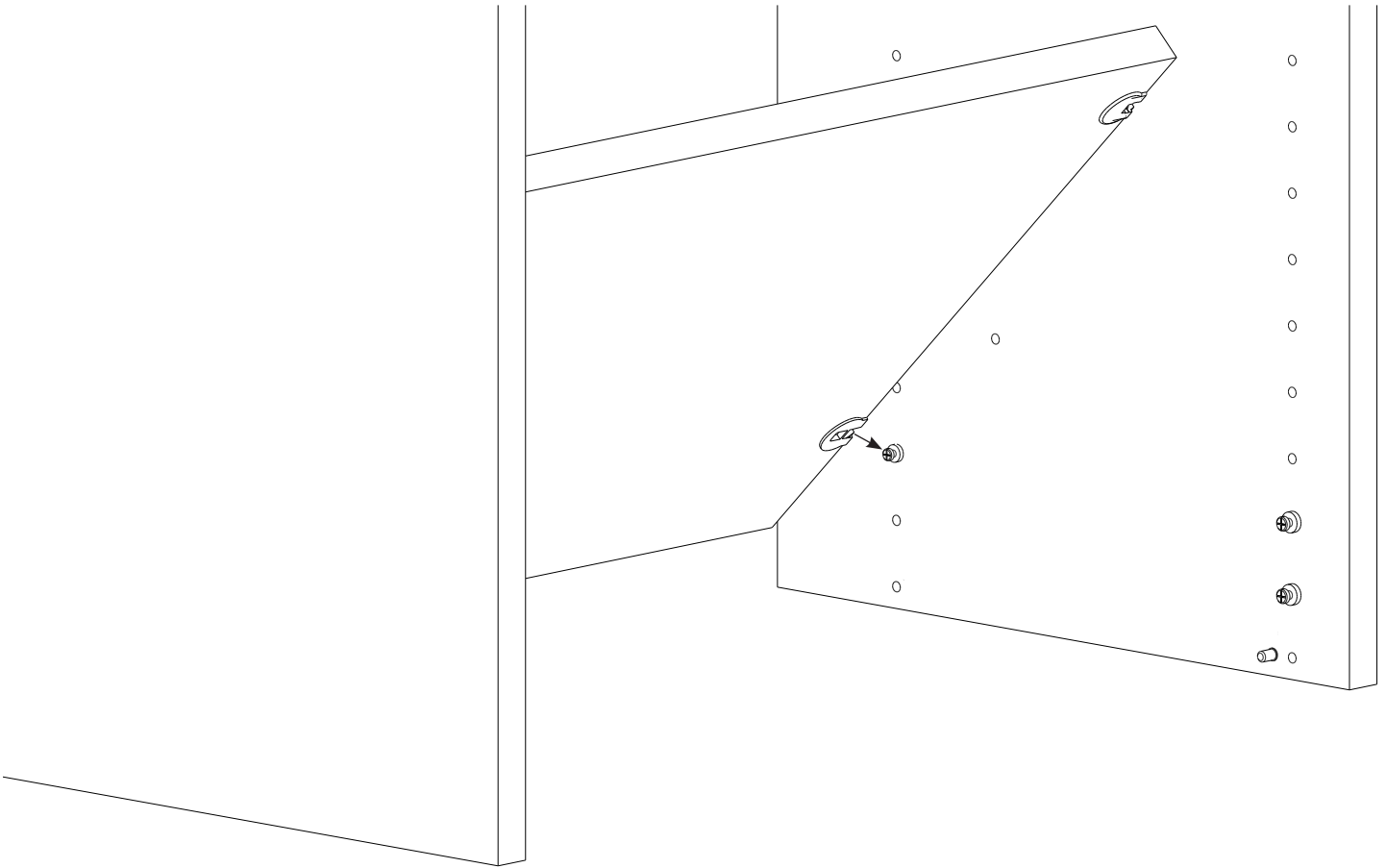
Step 10

Using a Philips screw driver, tighten and secure all 4 rafixes



Step 11

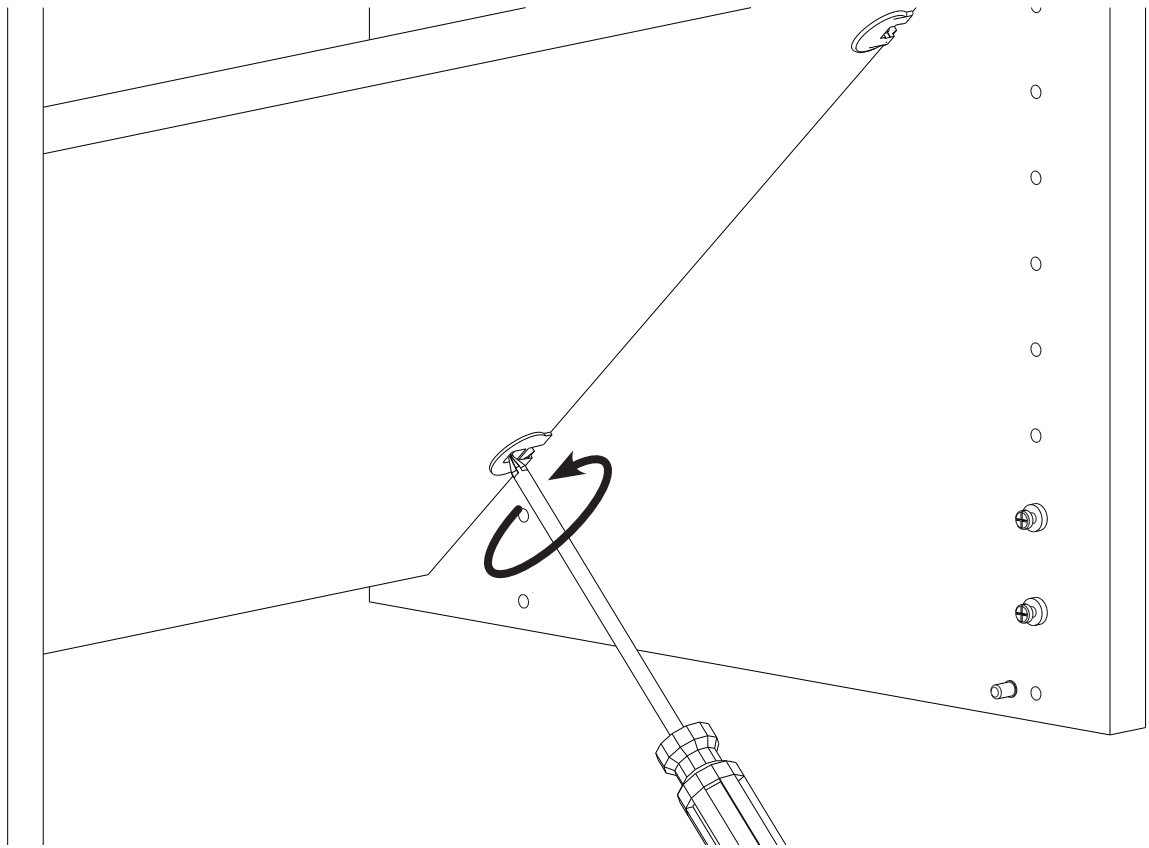
Insert the bottom fixed shelf (with 2 rafixes and 2 wedgexes from step 2) and insert the back 2 rafixes into the screw dowels as shown below.





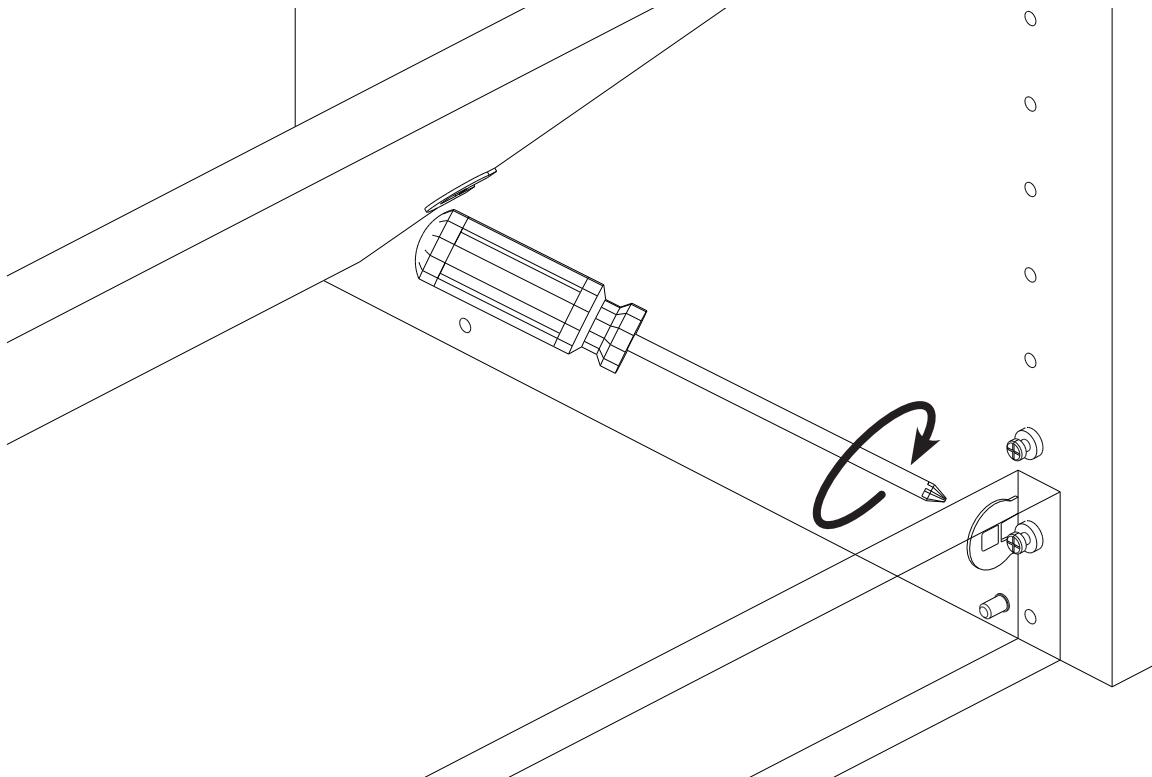
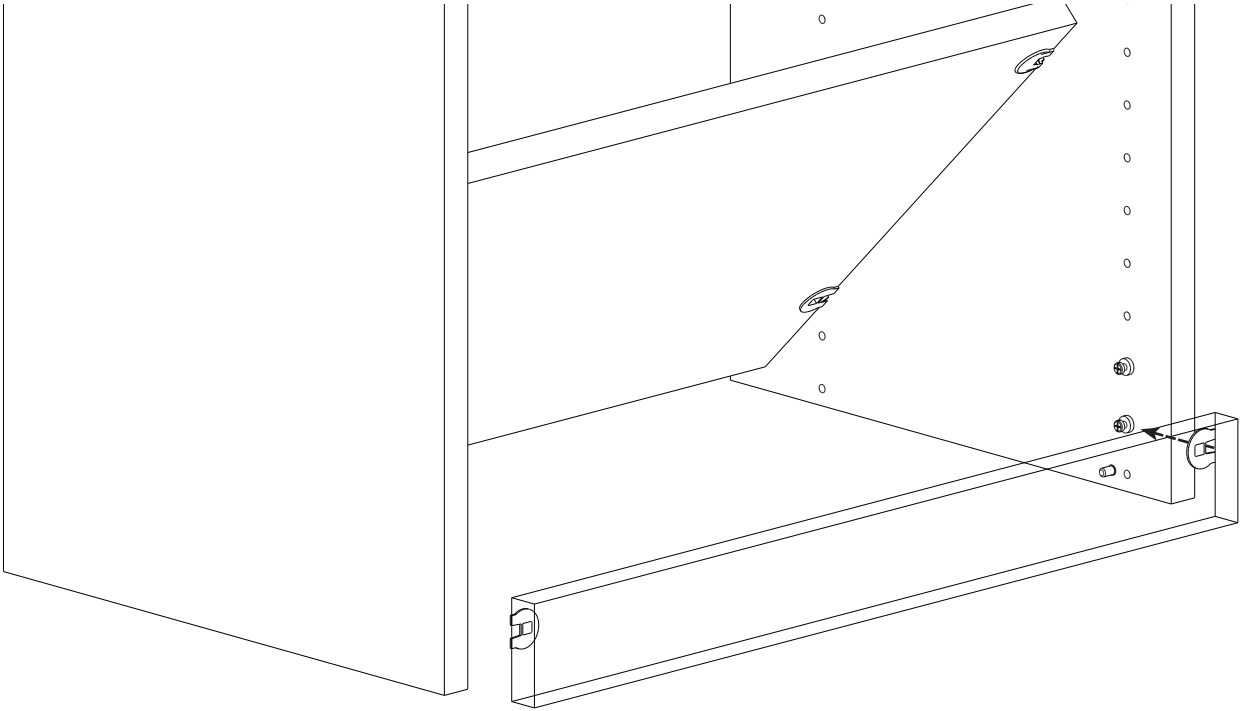
Step 12

Hold the shelf at an angle and tighten and secure the raxifes on either side



Step 13

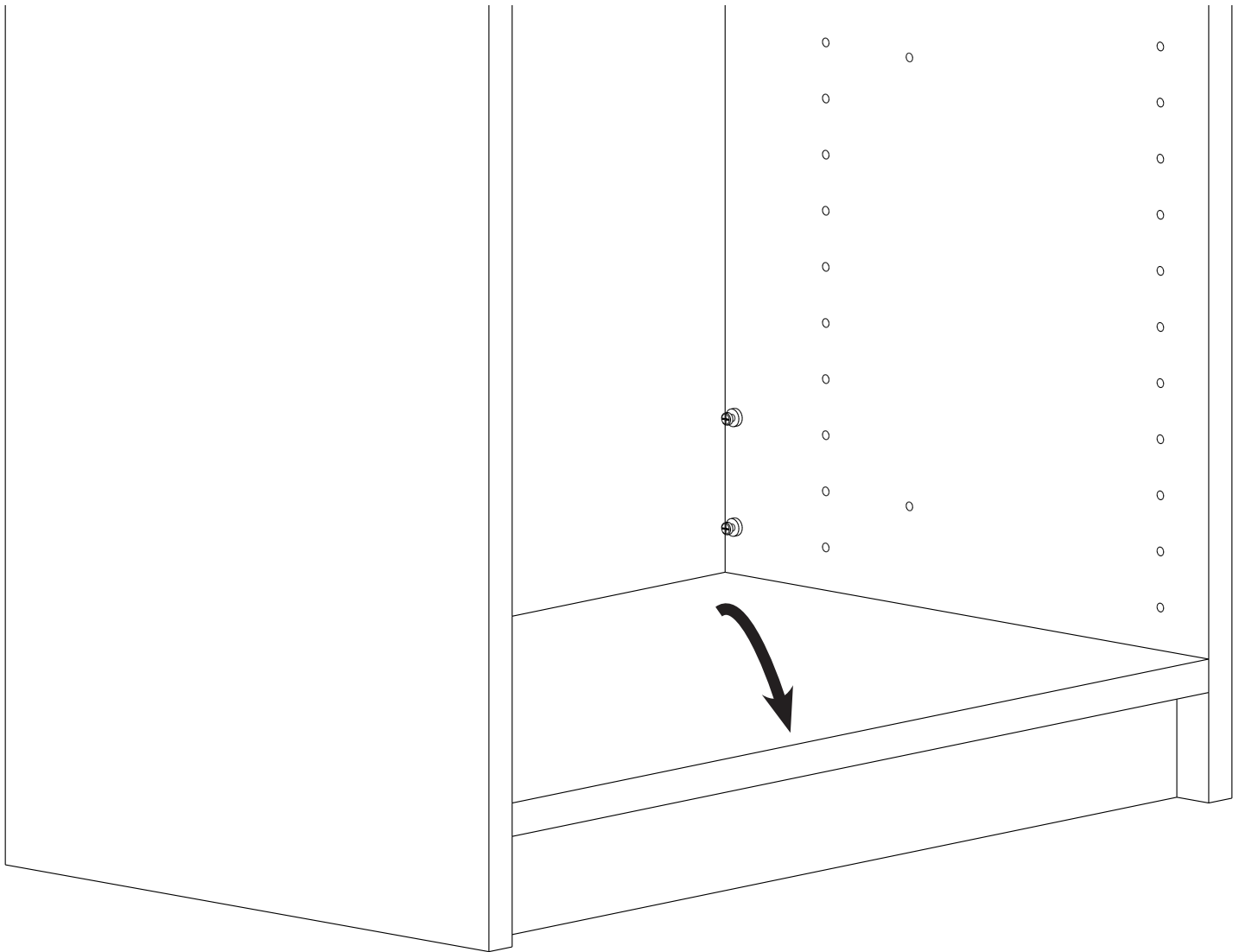
Insert the toe kick by securing then tightening the rafixes.





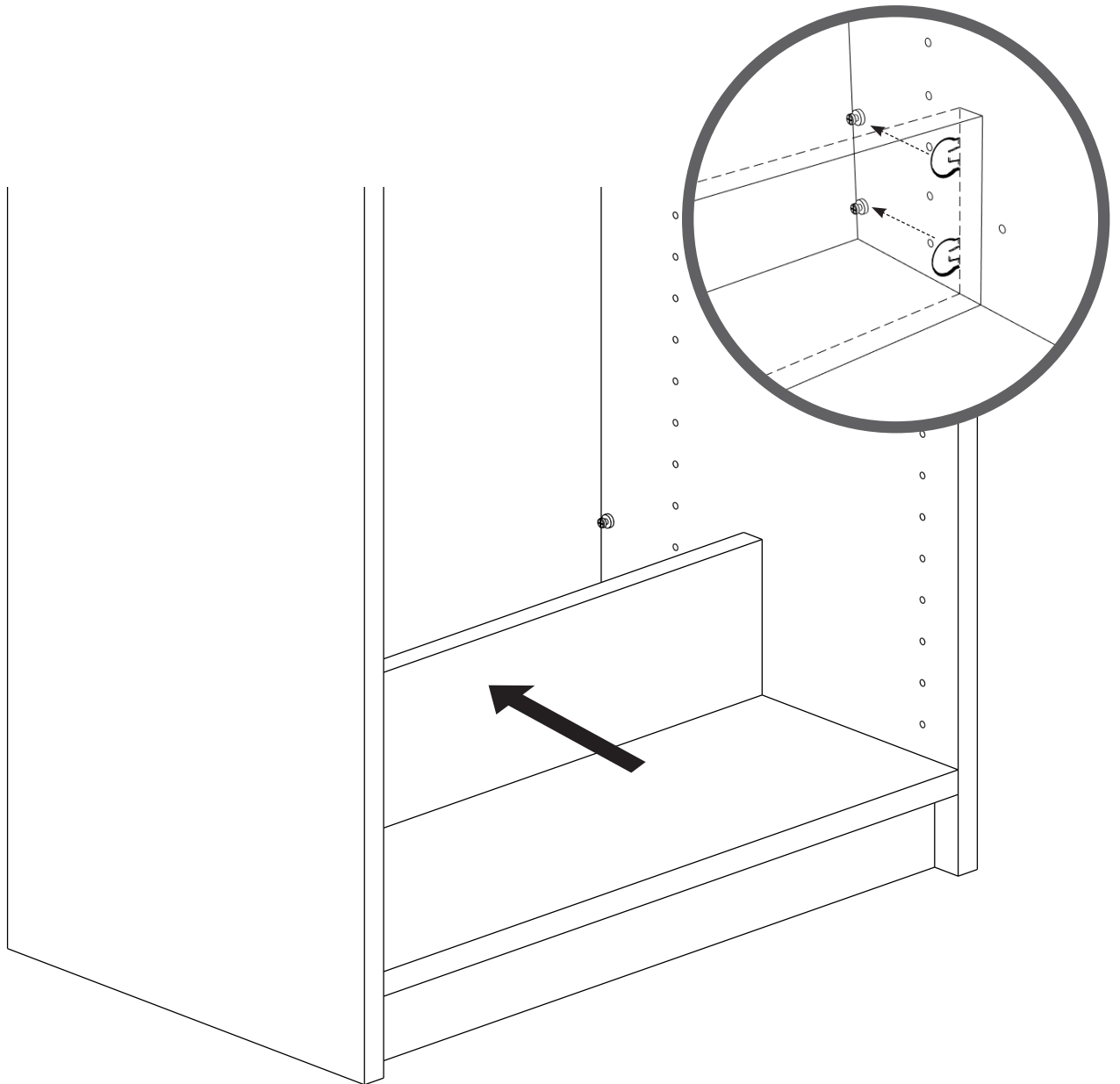
Step 14

Swing down the shelf to rest on the front 2 screw dowels.



Step 15

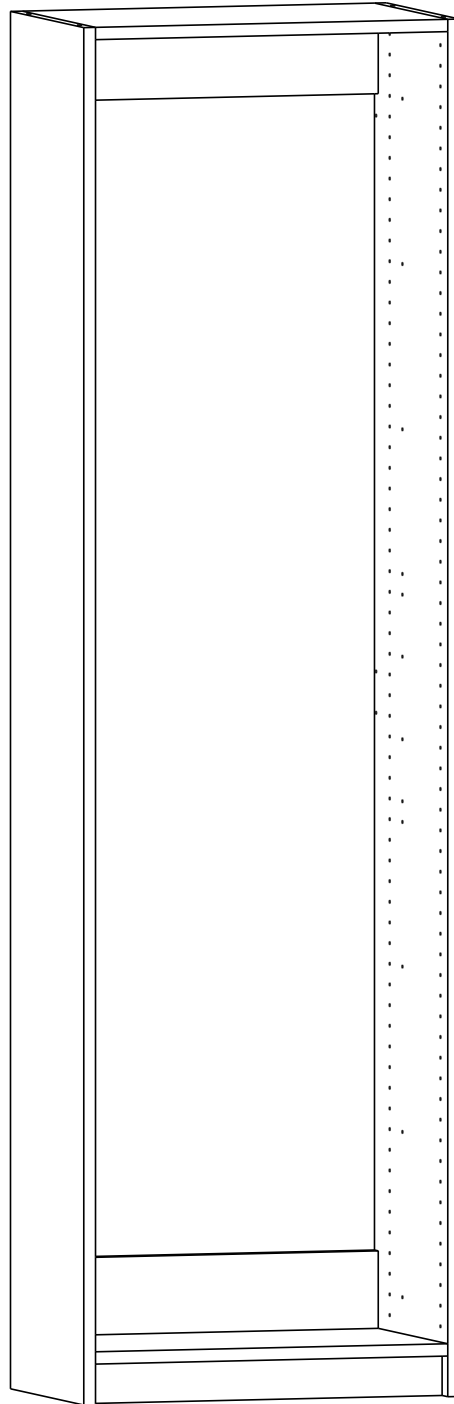
Connect Bottom cleat by simply clicking the wedgfixes into the screw dowels on each side.





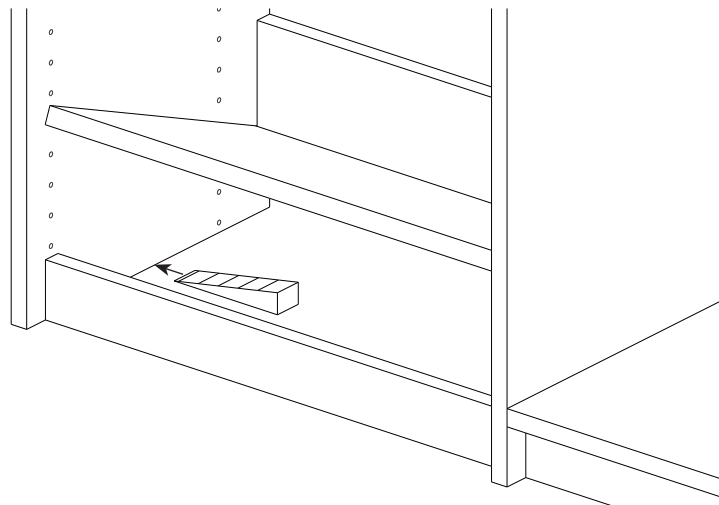
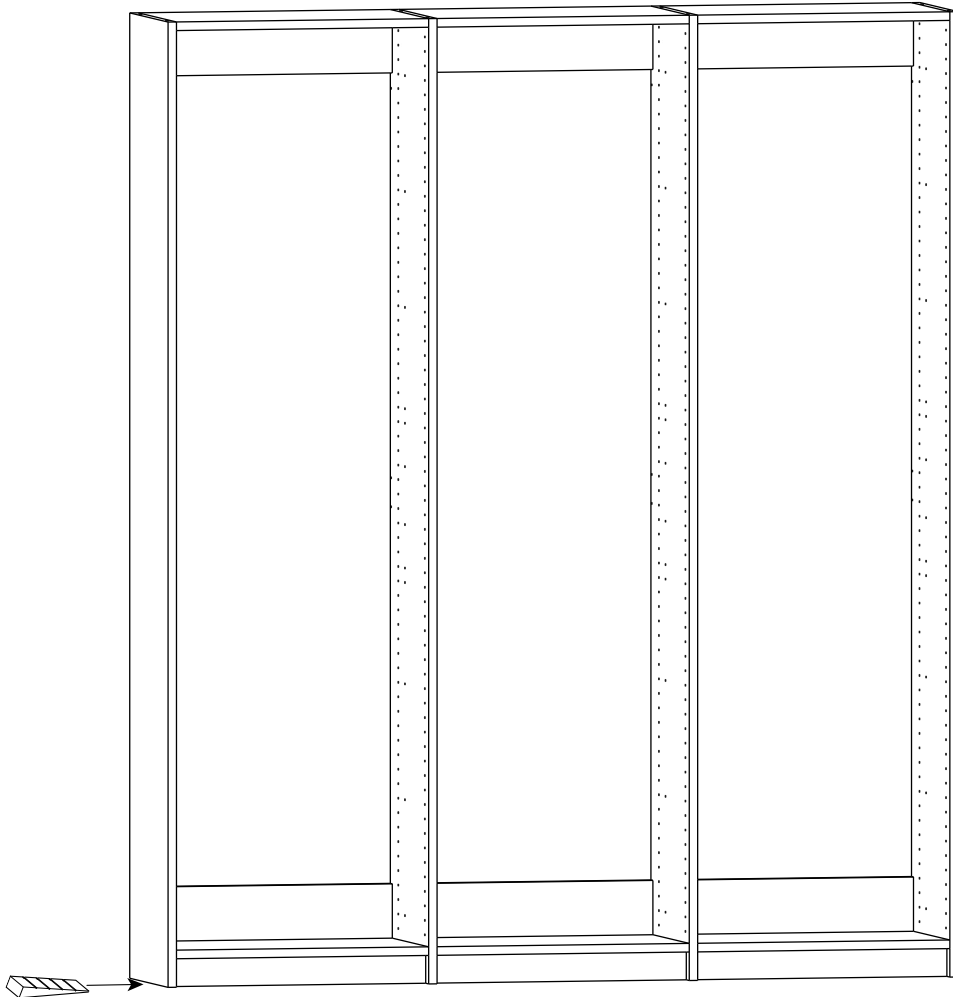
Step 16

You have now completed the first base unit! Simply repeat steps 8-15 for the remaining units.



Step 17

Ensure that the base units are in their final place and leveled.
You can also swing open the bottom shelf to place wedges.

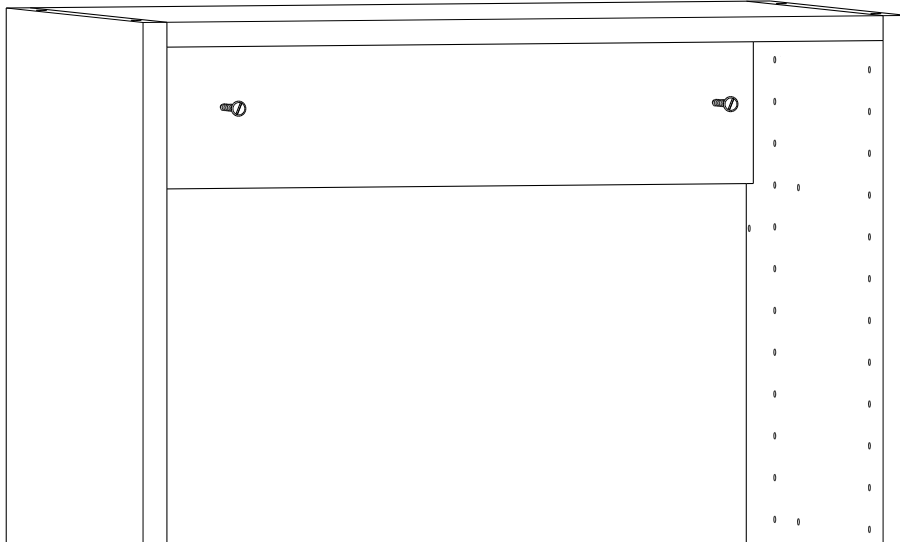
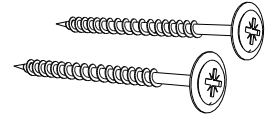




Step 18

Using a stud finder, search for the studs in the wall and drill the screws through the top and bottom cleats in each unit into the studs. If there is only one stud, drill two screws into each cleat, one on top of the other.

install screws
x4





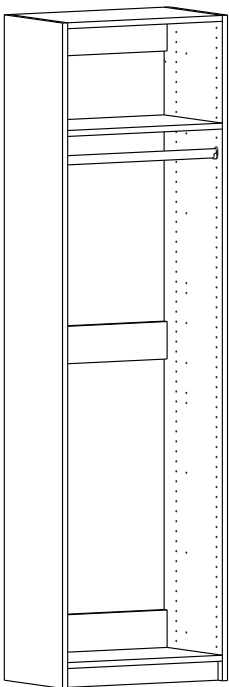


Interior component assembly

Refer to your closet plan for the interior components and follow the manual for assembly.

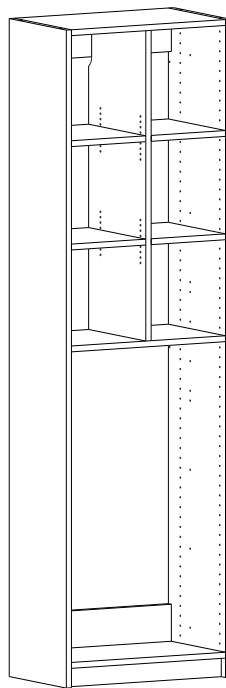
The default configurations shown here are just examples and may not always match your custom design.

Tall hanging assembly



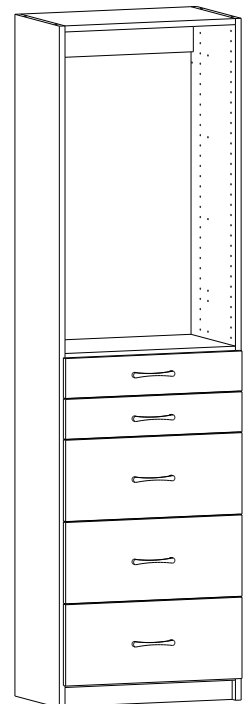
Page 28

Cubby assembly



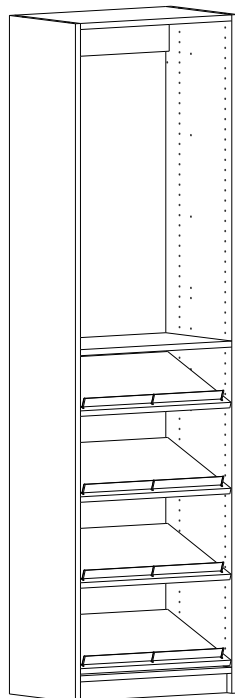
Page 32

Drawer assembly



Page 38

Shoe Shelf assembly



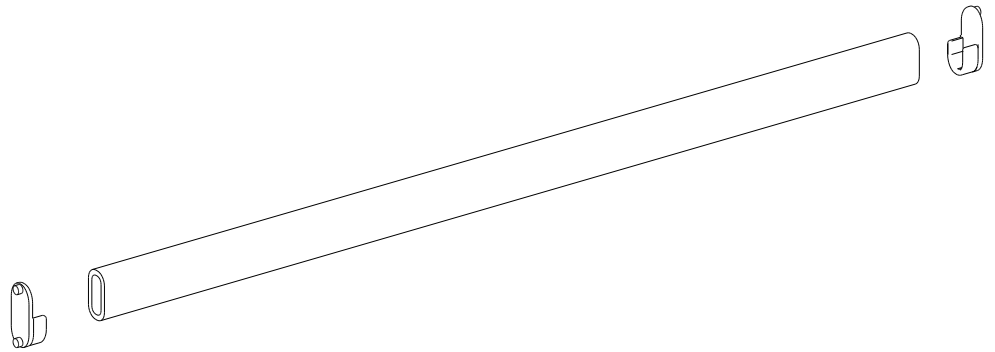
Page 55



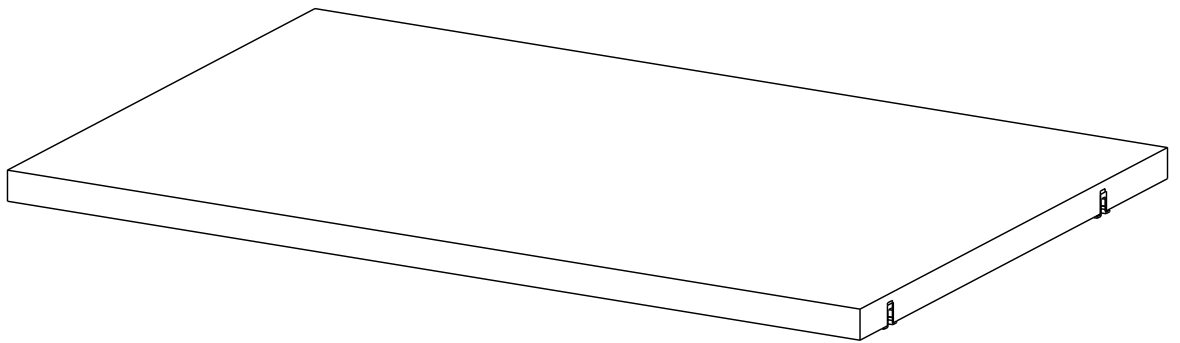
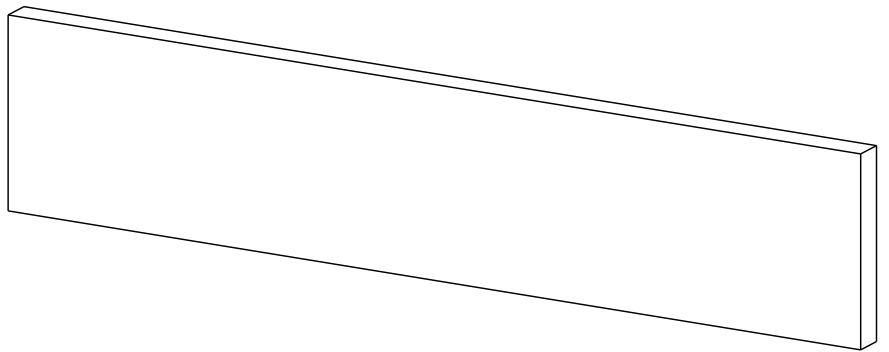


Tall Hang assembly Parts needed

Shelf Rod Pack



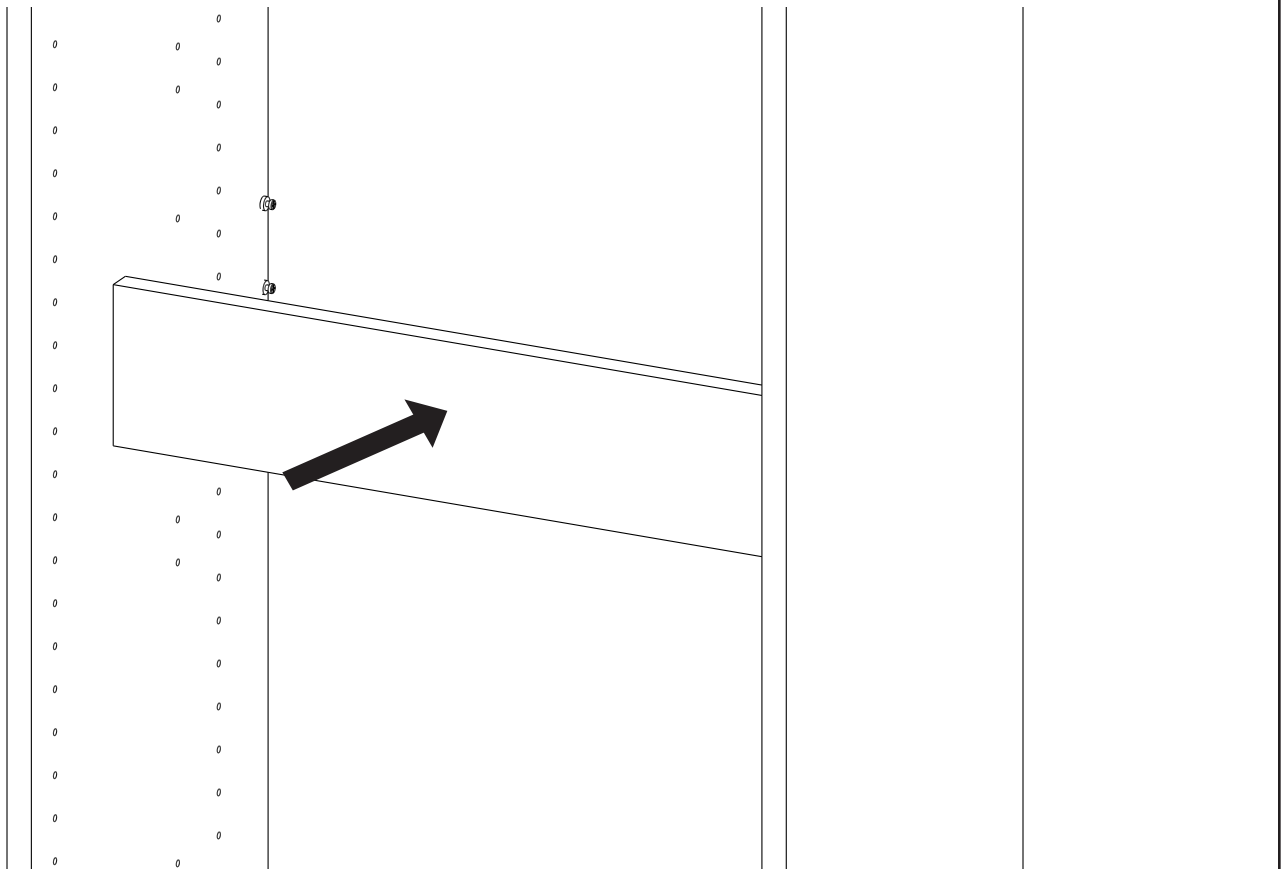
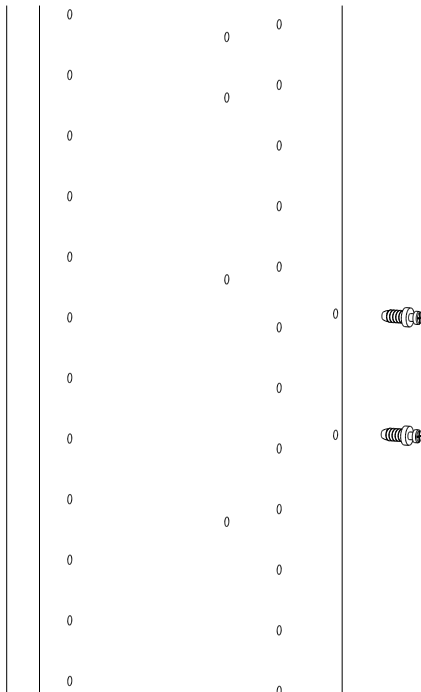
Third Cleat
&
Middle Shelf
from
ALT-FS
Alto Fixed Shelf Pack



Step 1

Insert screws in the middle cleat holes on panels on both sides and simply click in the 3rd cleat

Screw dowel
x4



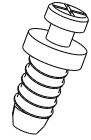


Step 2

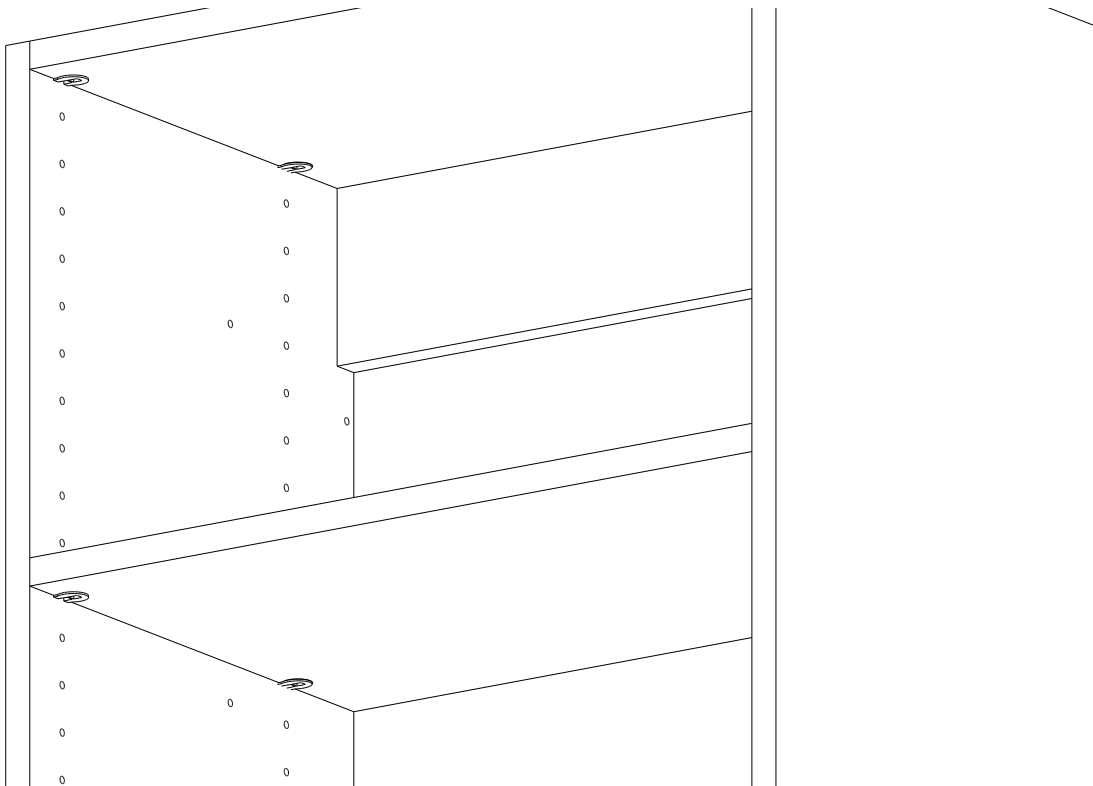
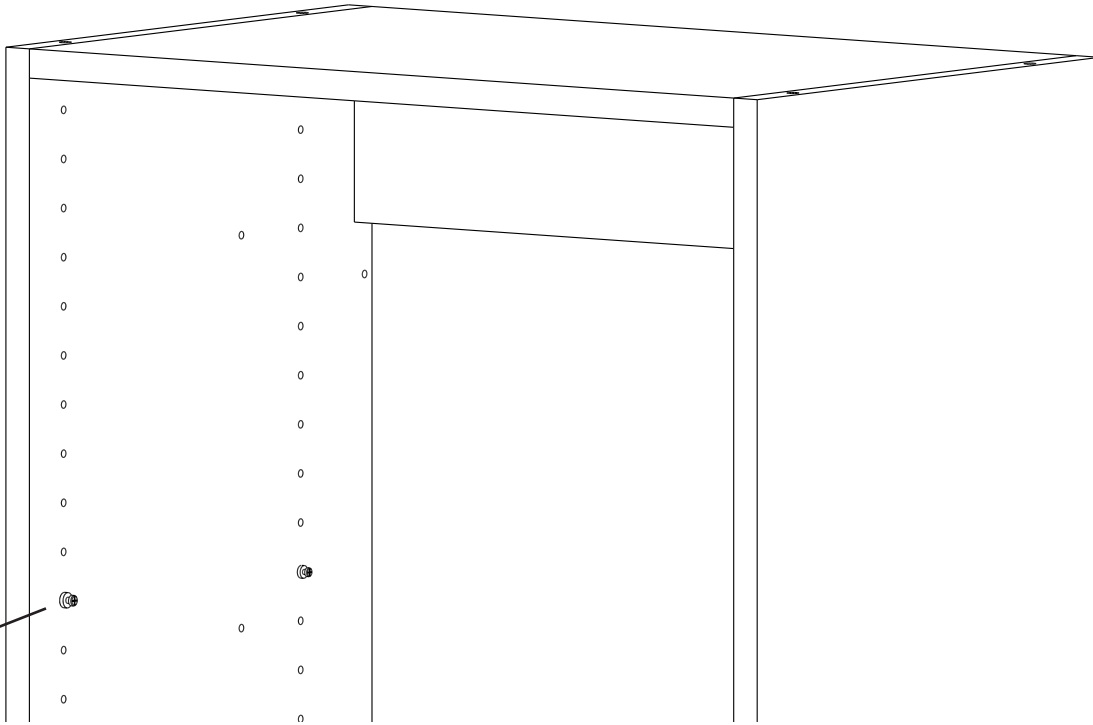
Insert screw dowels in holes on panels on both sides and then connect and secure the middle shelf by turning the rafixes

Screw dowel

x4

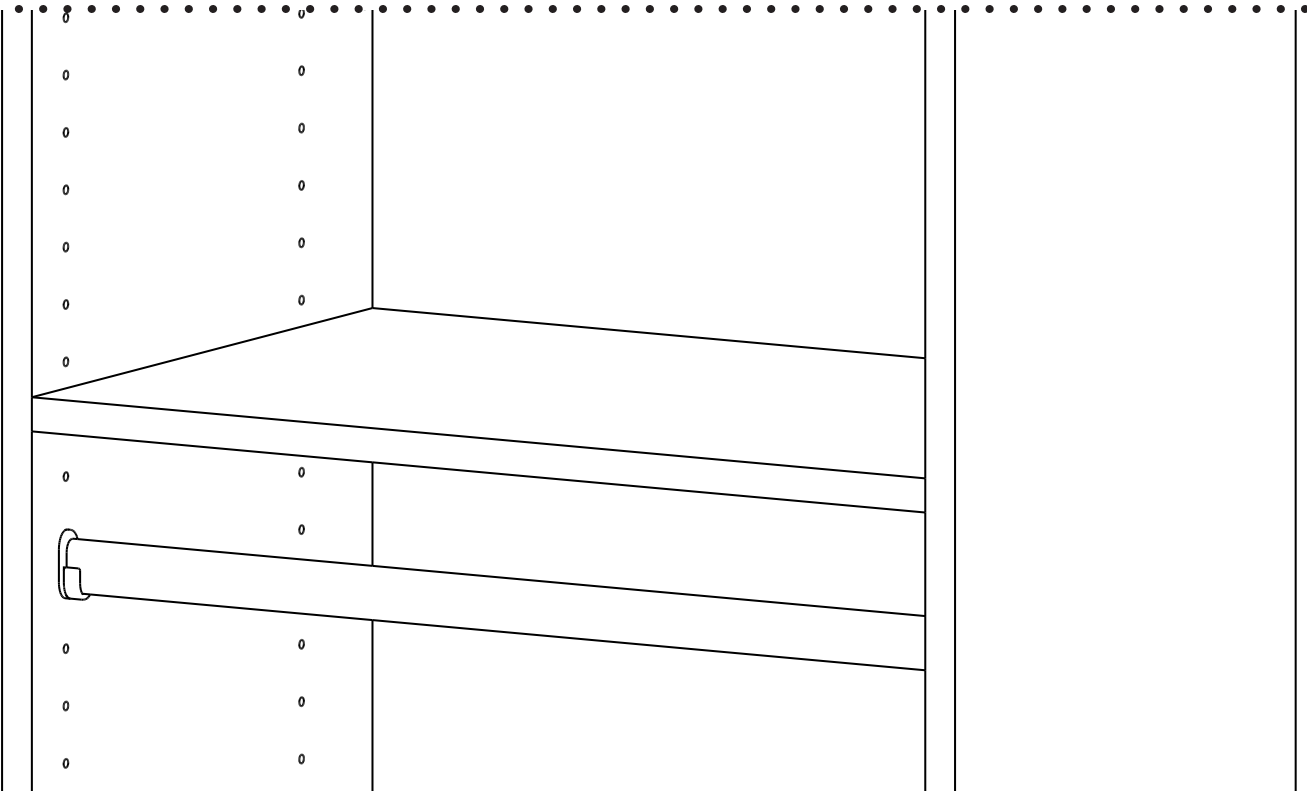
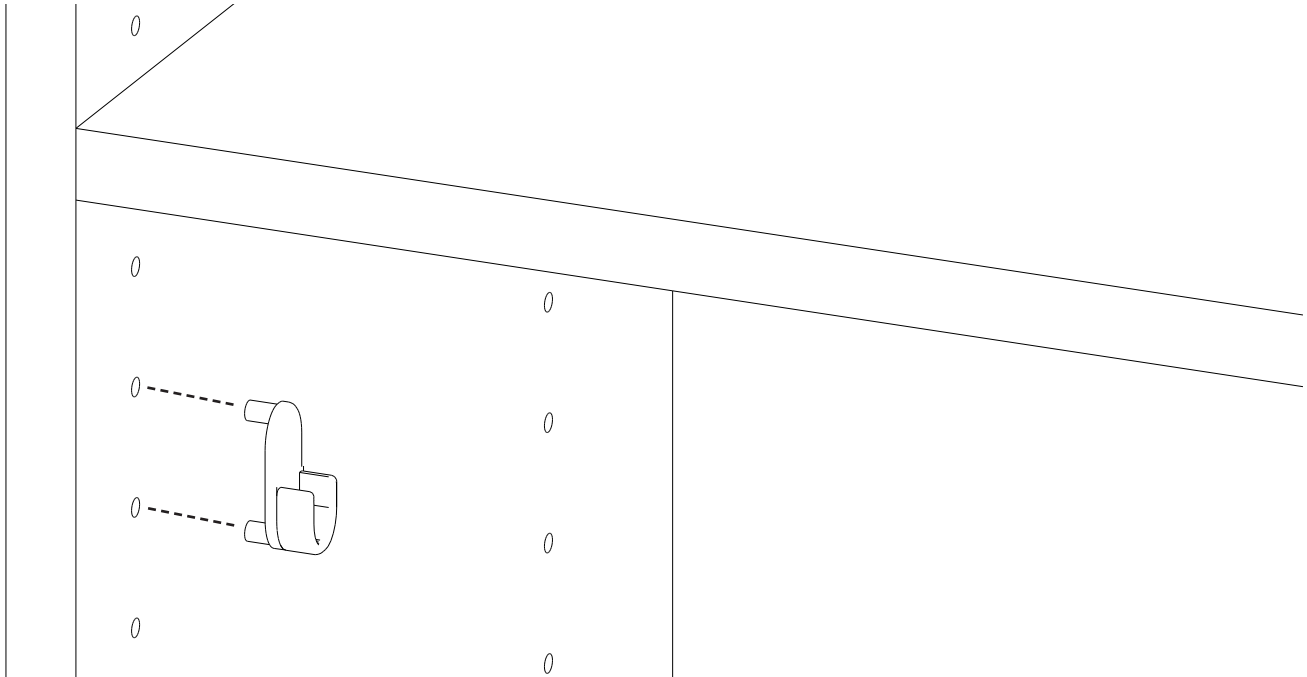


12th hole including the top.
(Suggestion only)



Step 3

Connect the rod flanges on either side and insert shelf rod

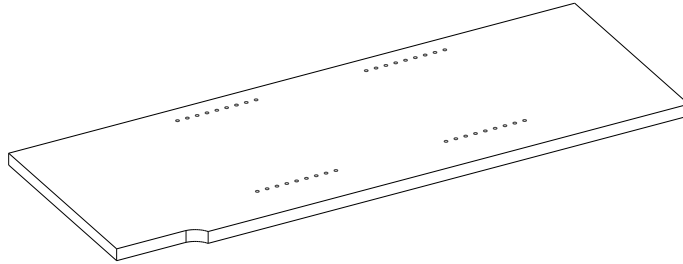




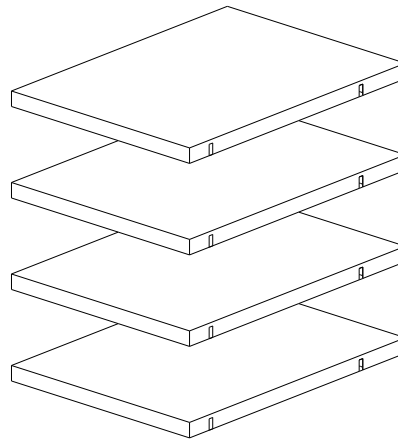
Cubbies assembly

Boxes needed

ALT-CIN
Alto cubby insert pack



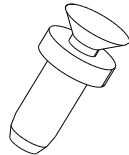
ALT-CIN
Alto cubby shelf pack



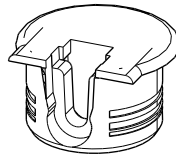
Hardware Packs Needed

ALT-HRDP- CIN

push dowel
x8



wedgefix
x16

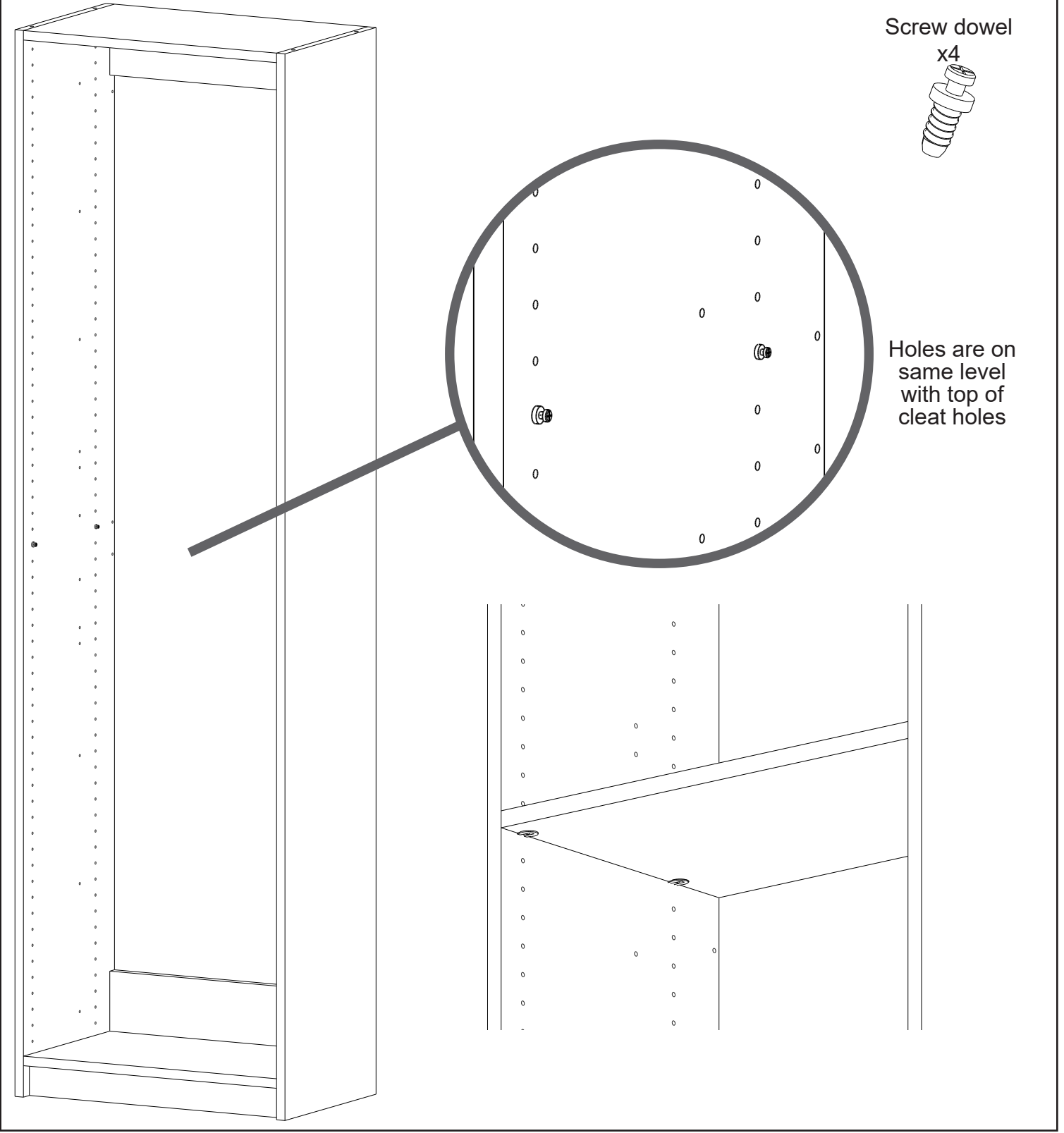


screw dowel
x8



Step 1

Start by inserting the middle shelf by inserting screw dowels as shown and securing the shelf with the rafixes

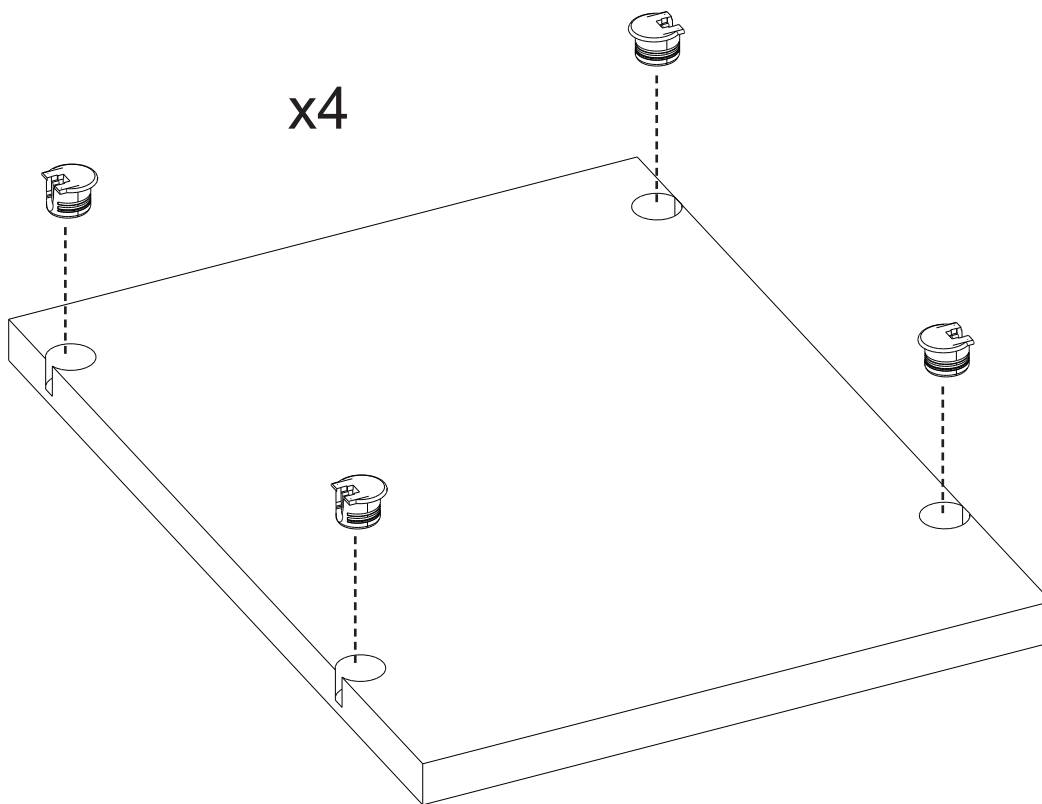
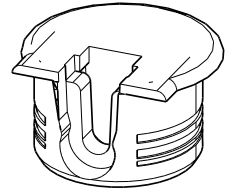




Step 2

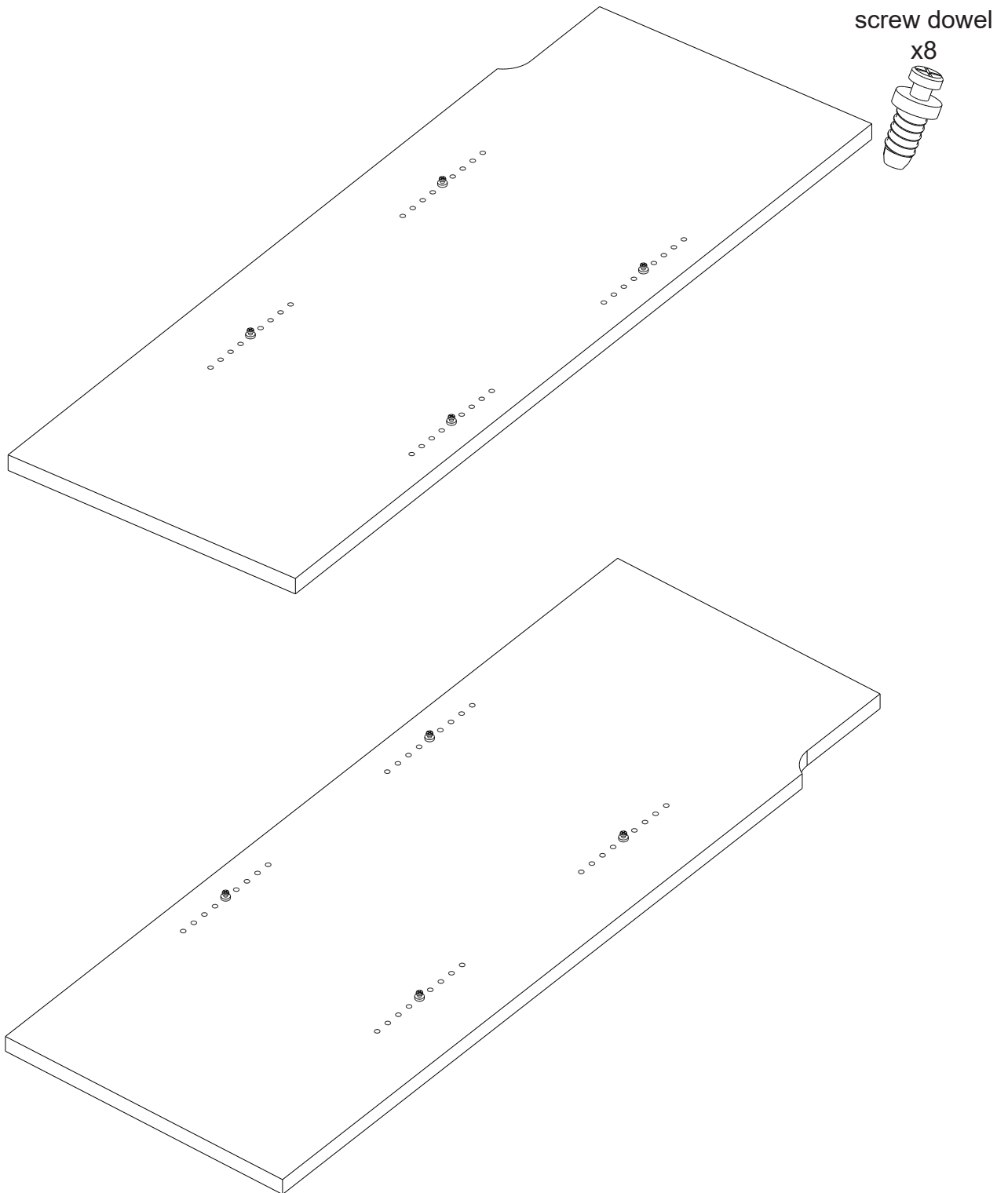
Insert wedgexes in to all 4 cubby shelves

wedgex
x16



Step 3

Insert screw dowels on each side of the cubby insert

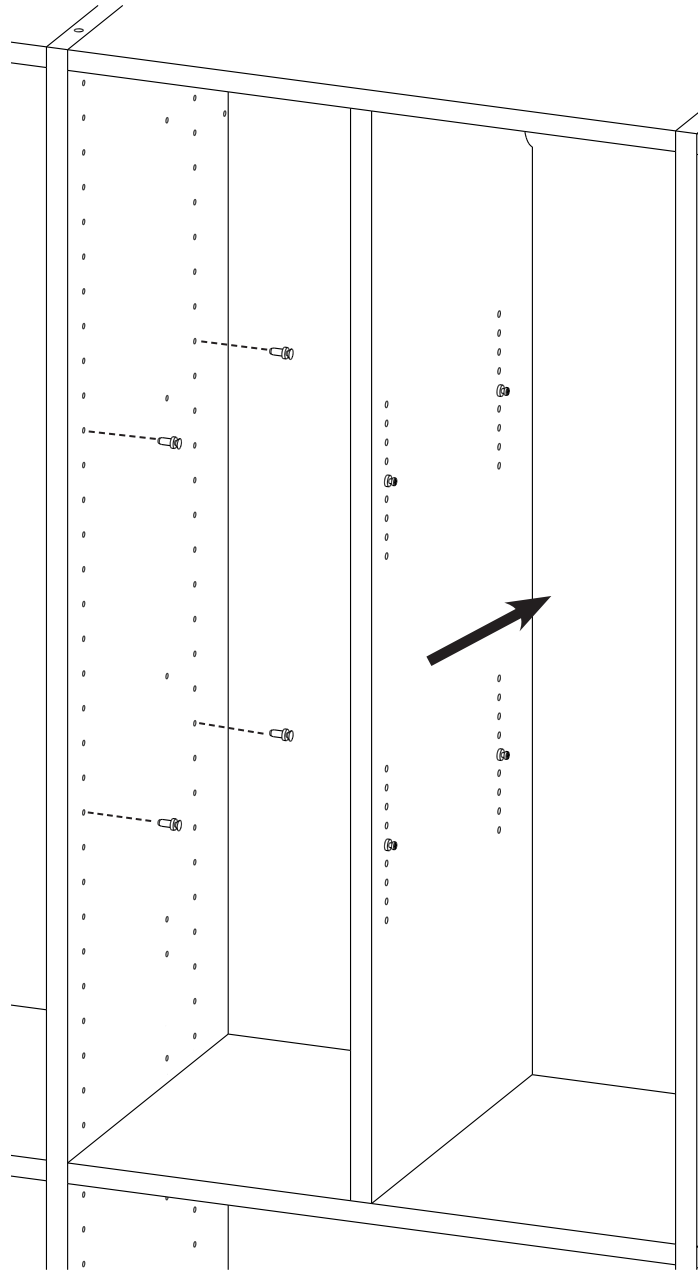
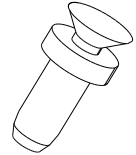




Step 4

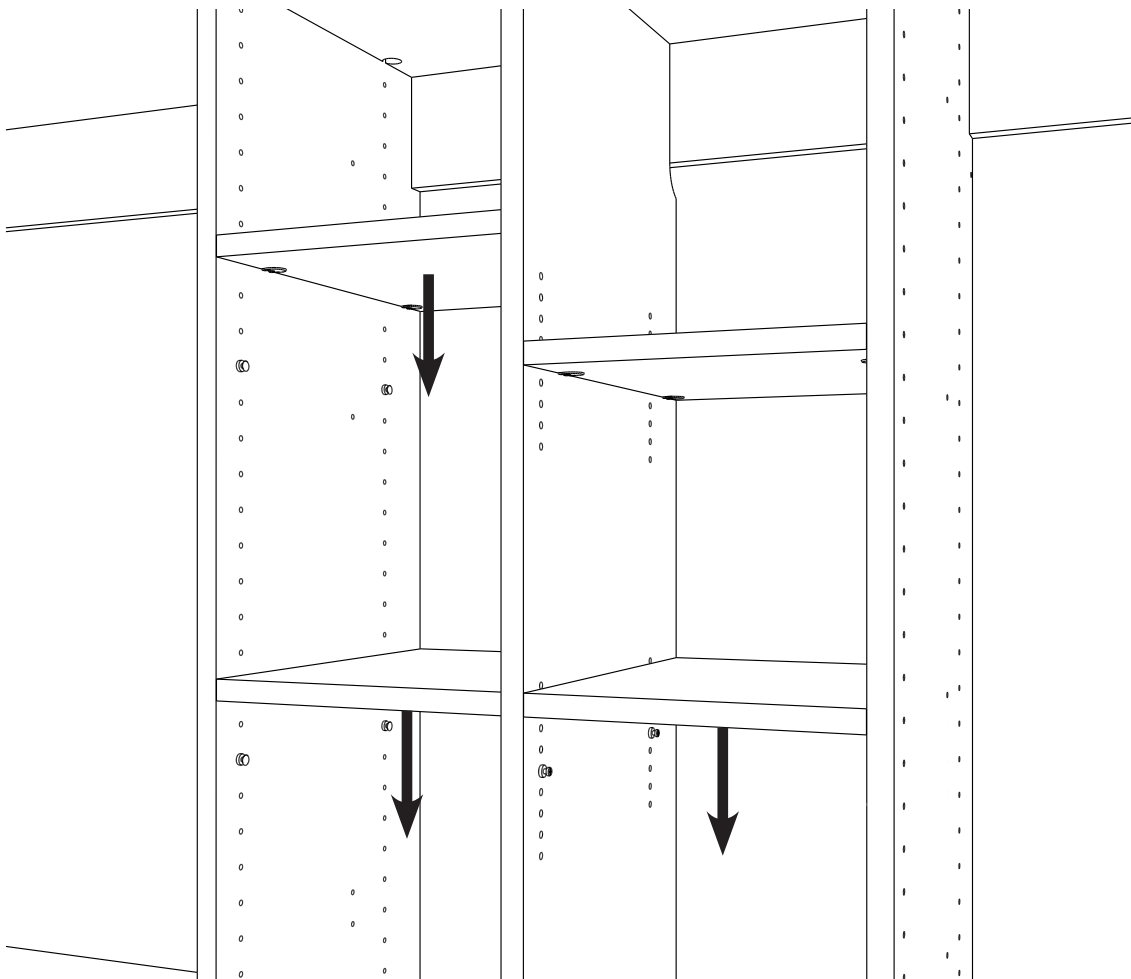
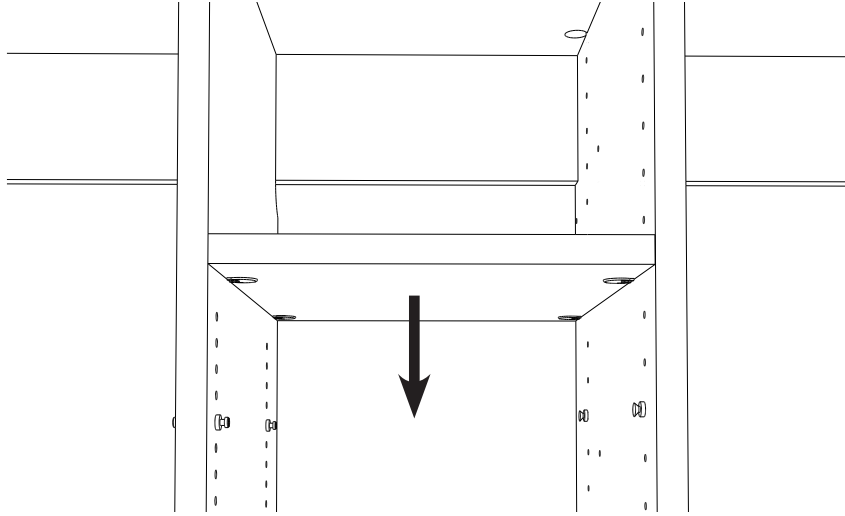
Slide in the cubby insert (for bottom half of base unit simply flip over so cut out goes over bottom cleat) and insert the push dowels parallel to screw dowels

push dowel
x8



Step 5

Starting with the top right shelf simply click in each shelf as shown.

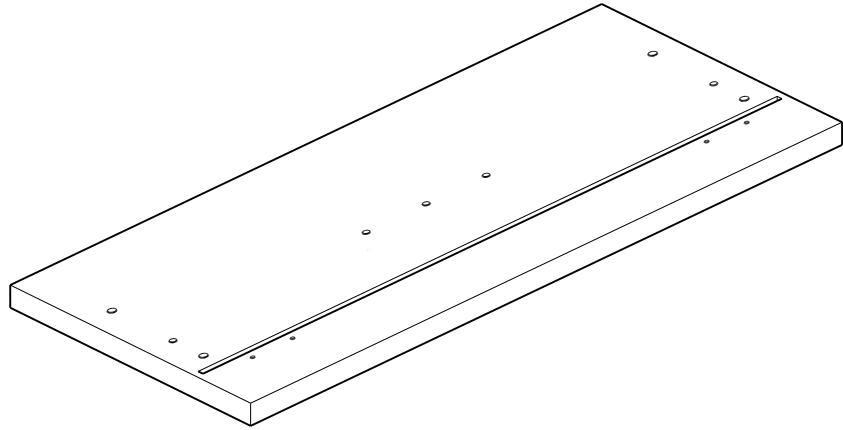




Drawer assembly Boxes Needed

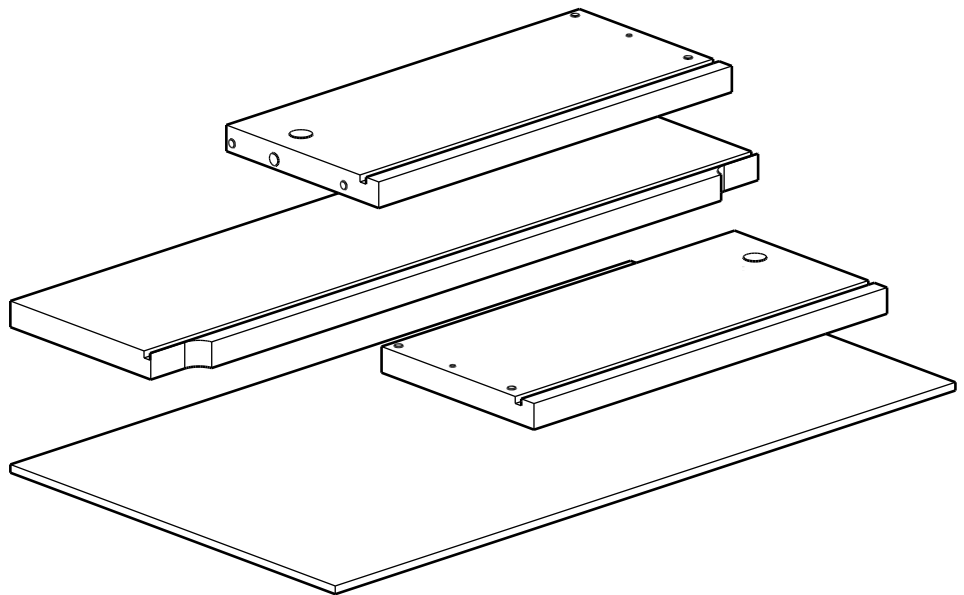
ALT-DF
Alto Drawer Front
OR
ALT-DFS
Alto Small Drawer Front

(There are 1 pack and 2 pack boxes)



ALT-DB
Alto Drawer Boxes
OR
ALT-DBS
Alto Small Drawer Box

(There are 1 pack and 2 pack boxes)

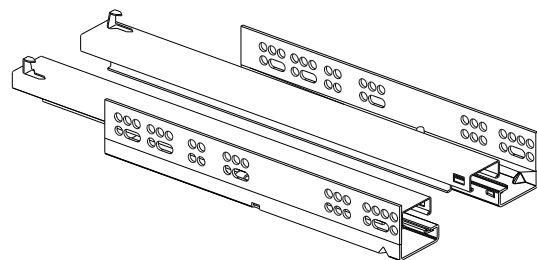


Tools needed

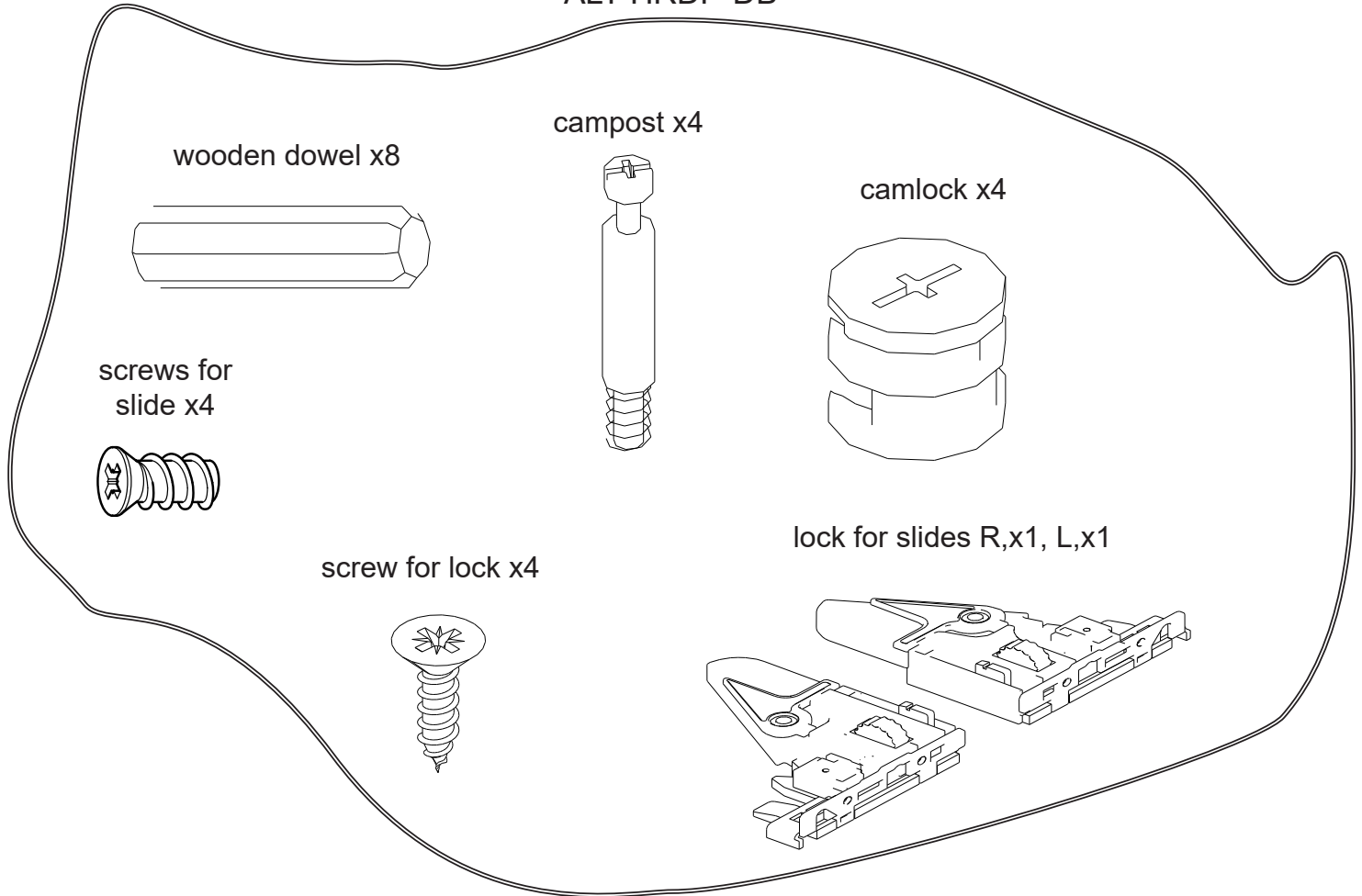
Philips screw driver



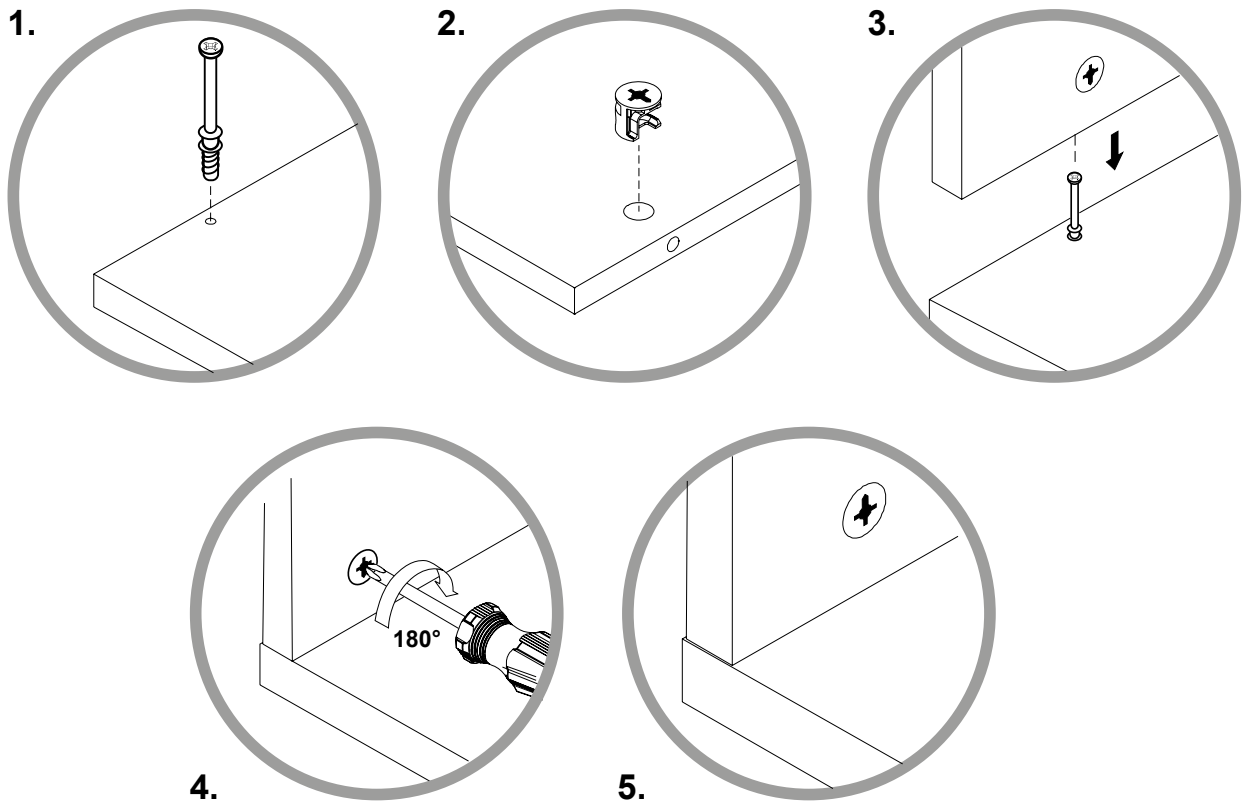
drawer slides (comes in separate box)



Hardware Packs Needed ALT-HRDP-DB



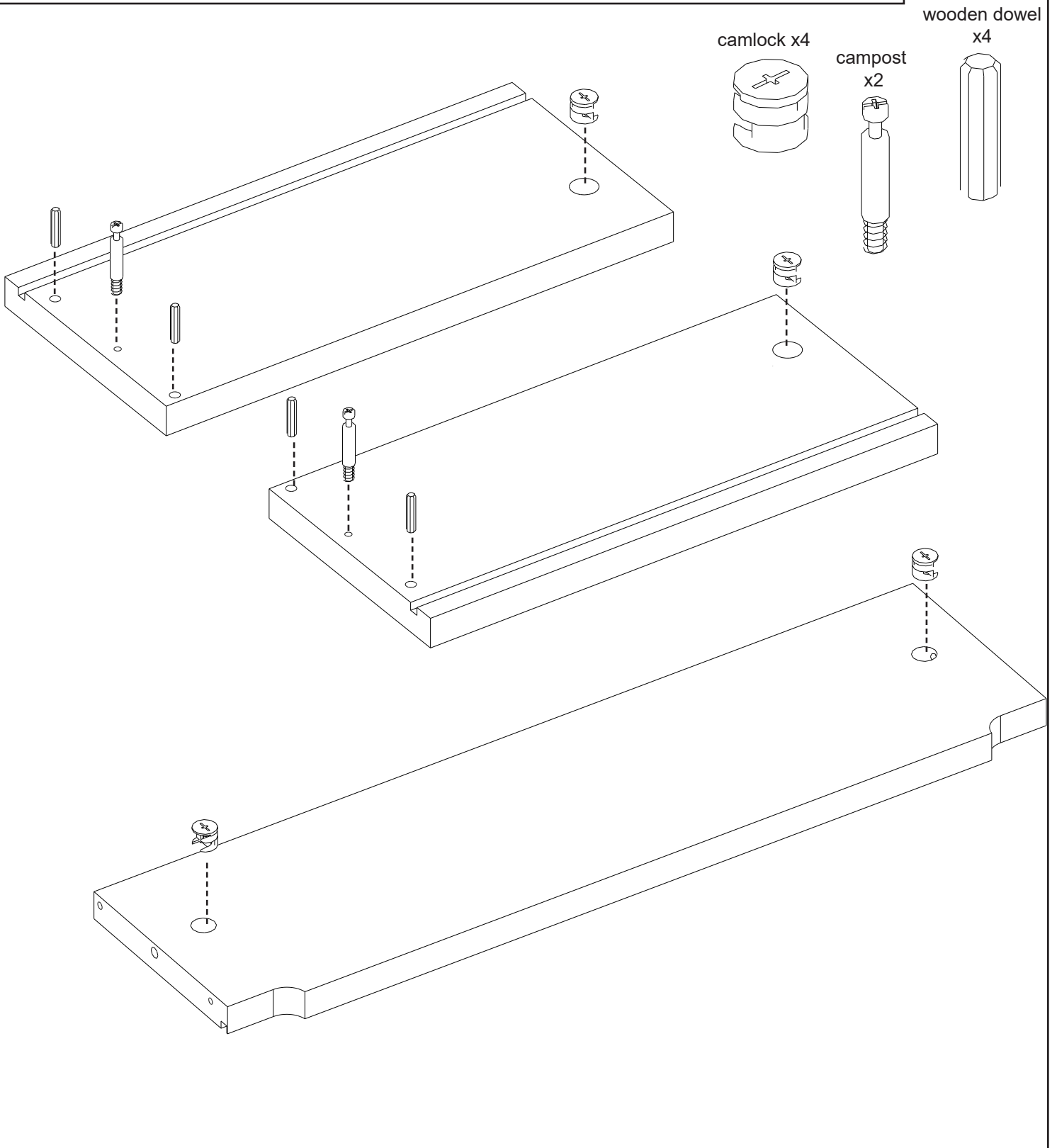
How to use the Cam lock system





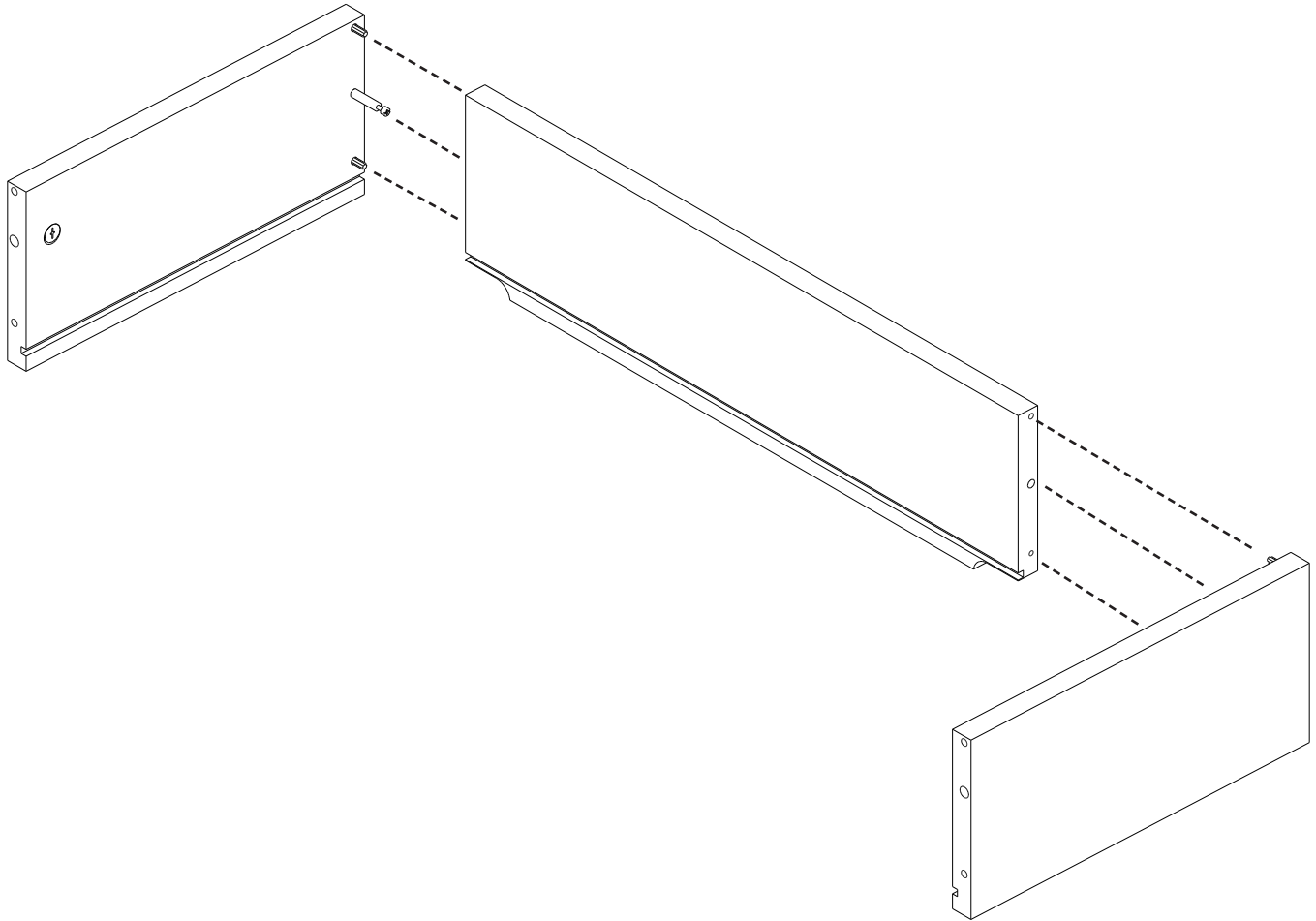
Step 1

Removing the parts from ALT-DB(s), insert cam locks, cam posts and wooden dowels in the drawer sides and back as shown below.



Step 2

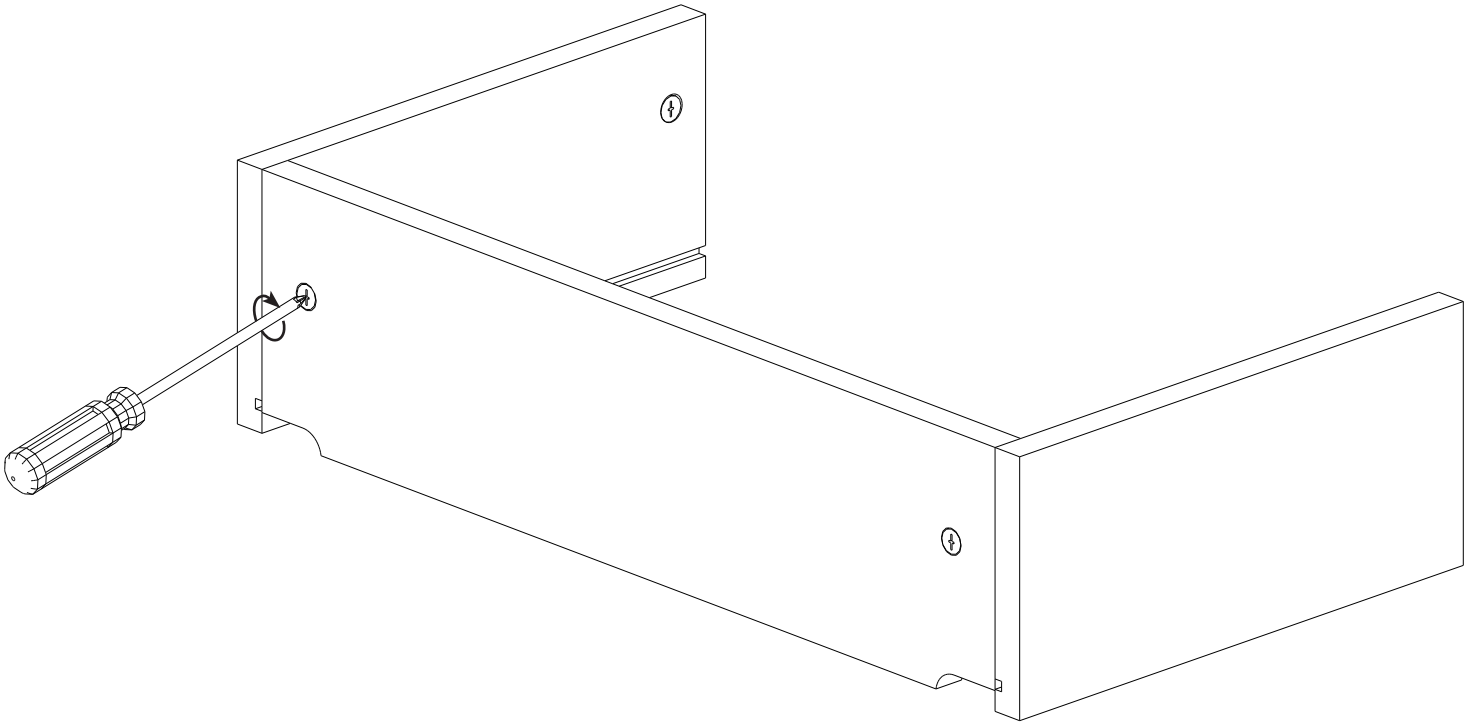
Connect the side panels to the back.





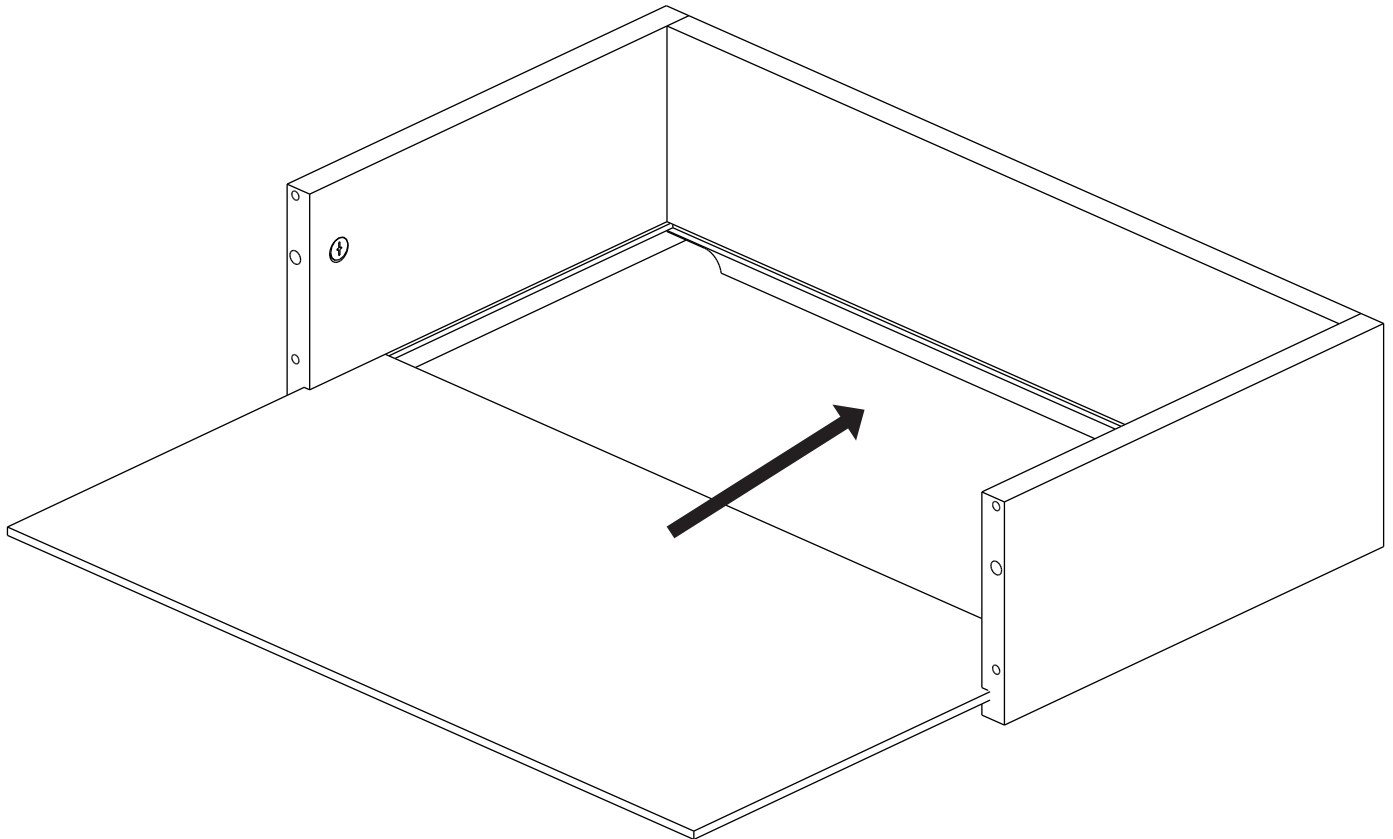
Step 3

Tighten both cam locks by turning them 180°



Step 4

Slide the drawer bottom in

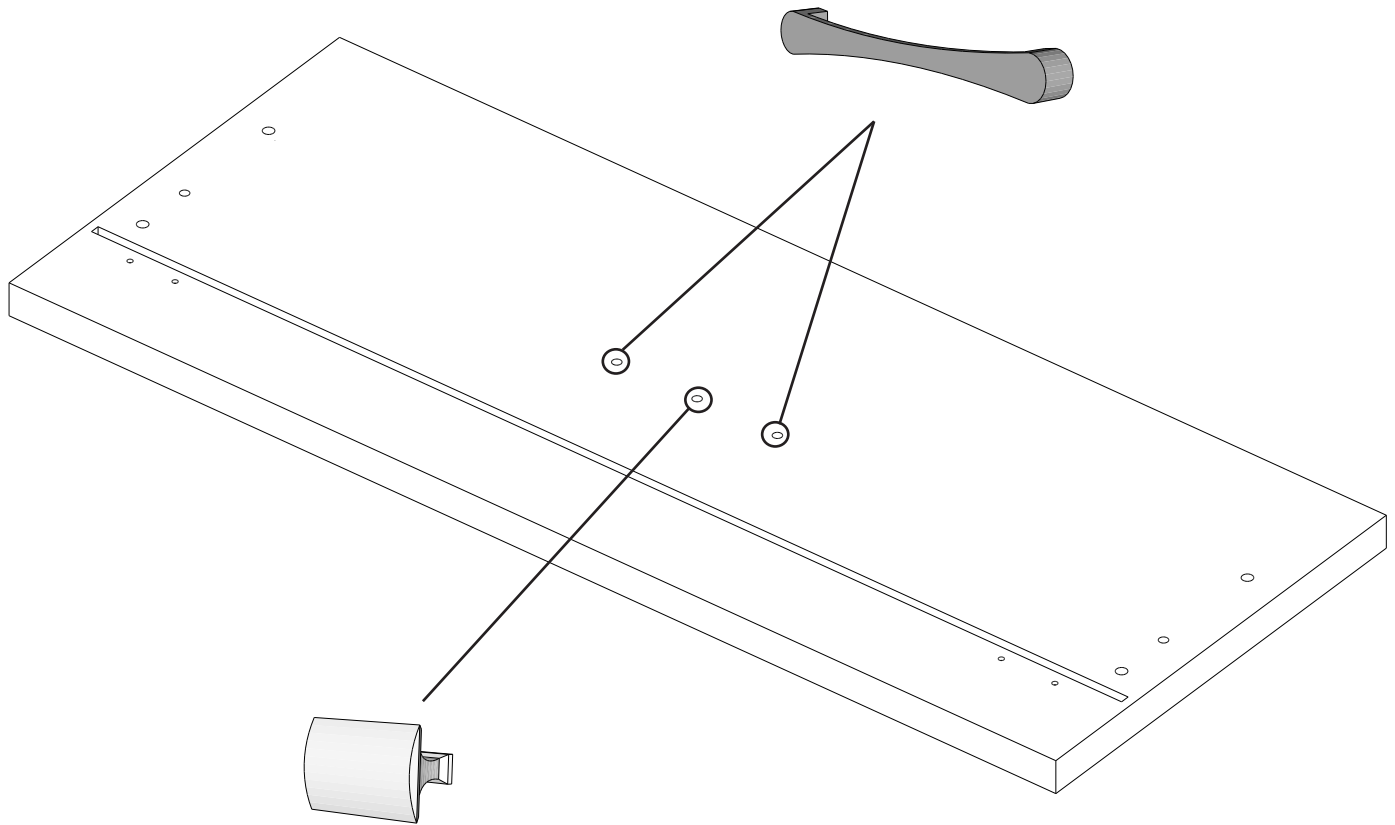




Step 5

Using the parts from ALT-DF, if using a bar pull, drill a hole through the two outside guide holes. If using a knob, drill a hole through the middle guide hole.

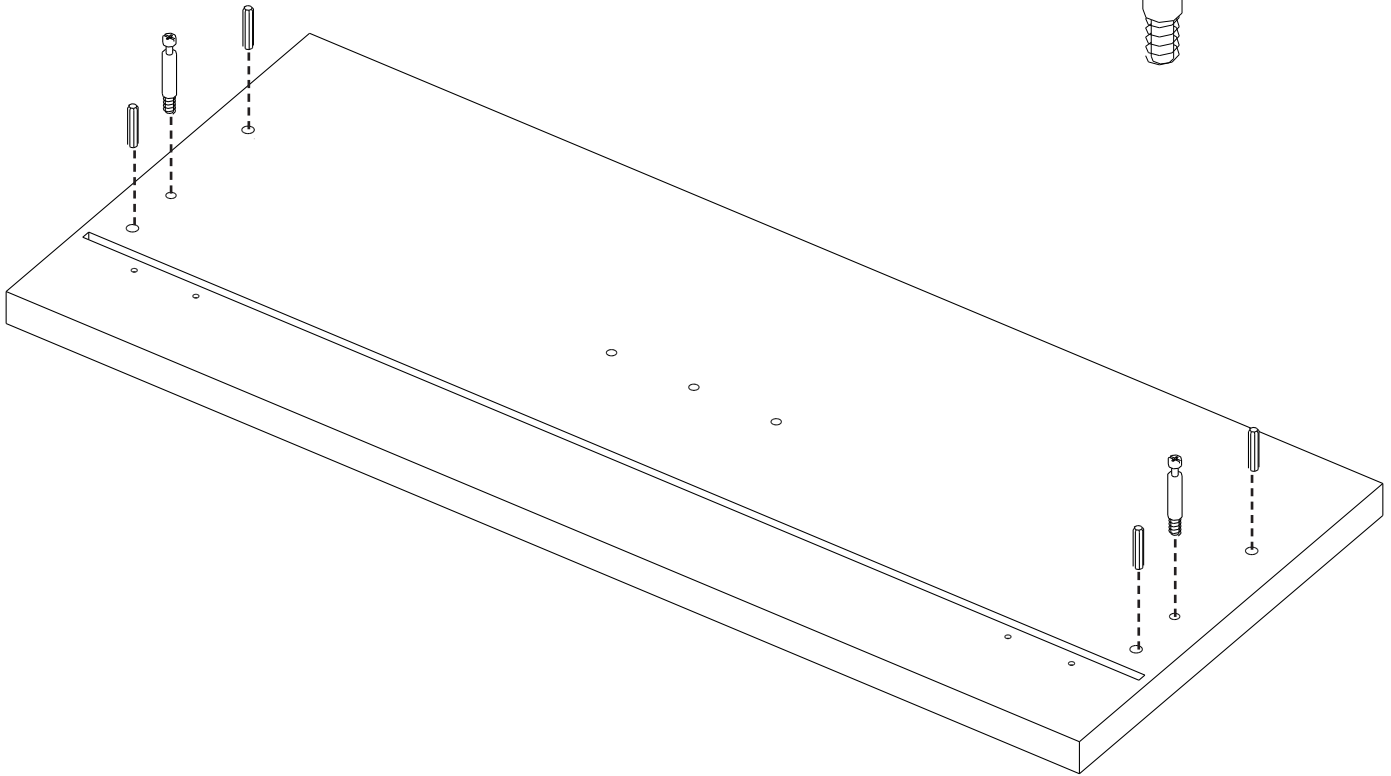
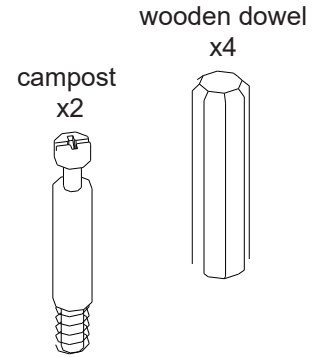
Drill bit





Step 6

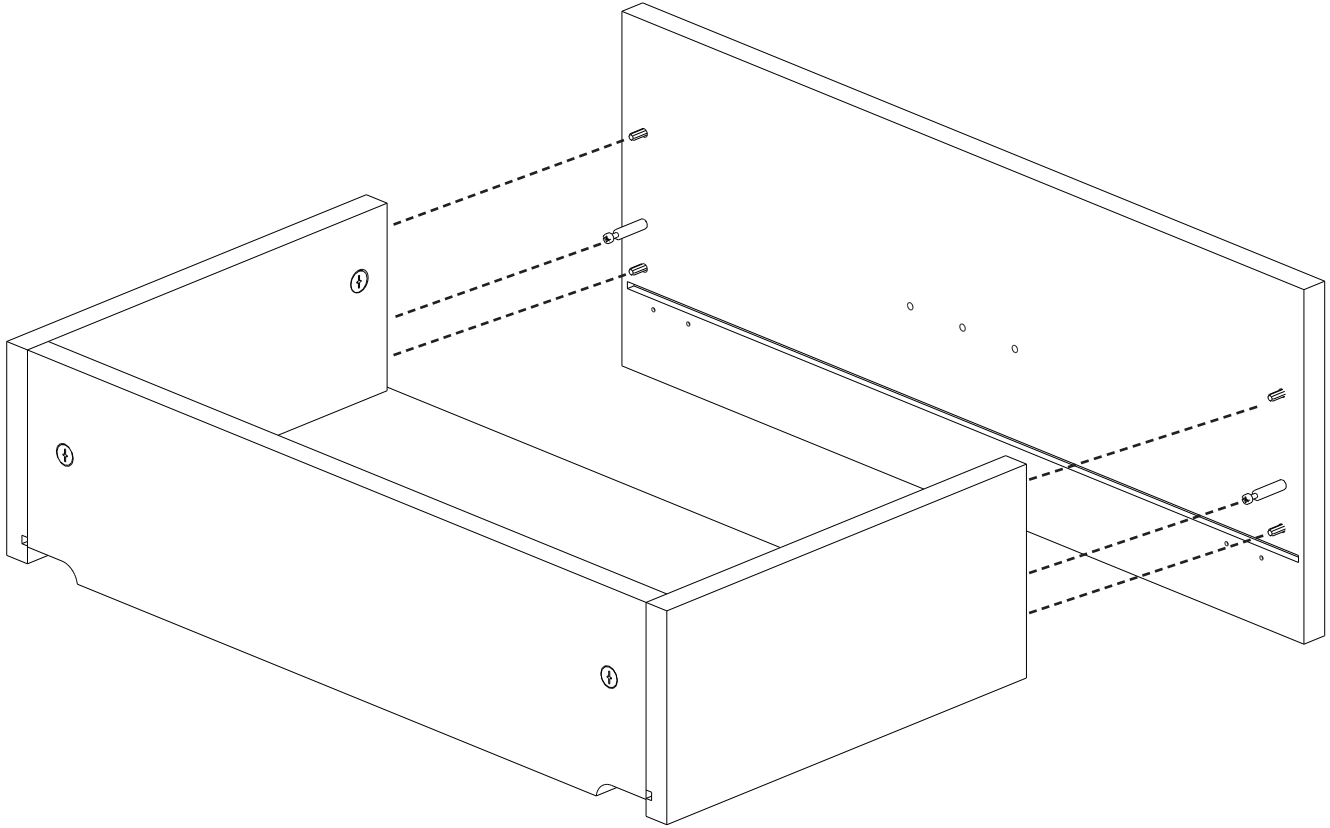
Insert cam locks and camposts into drawer front as shown below.





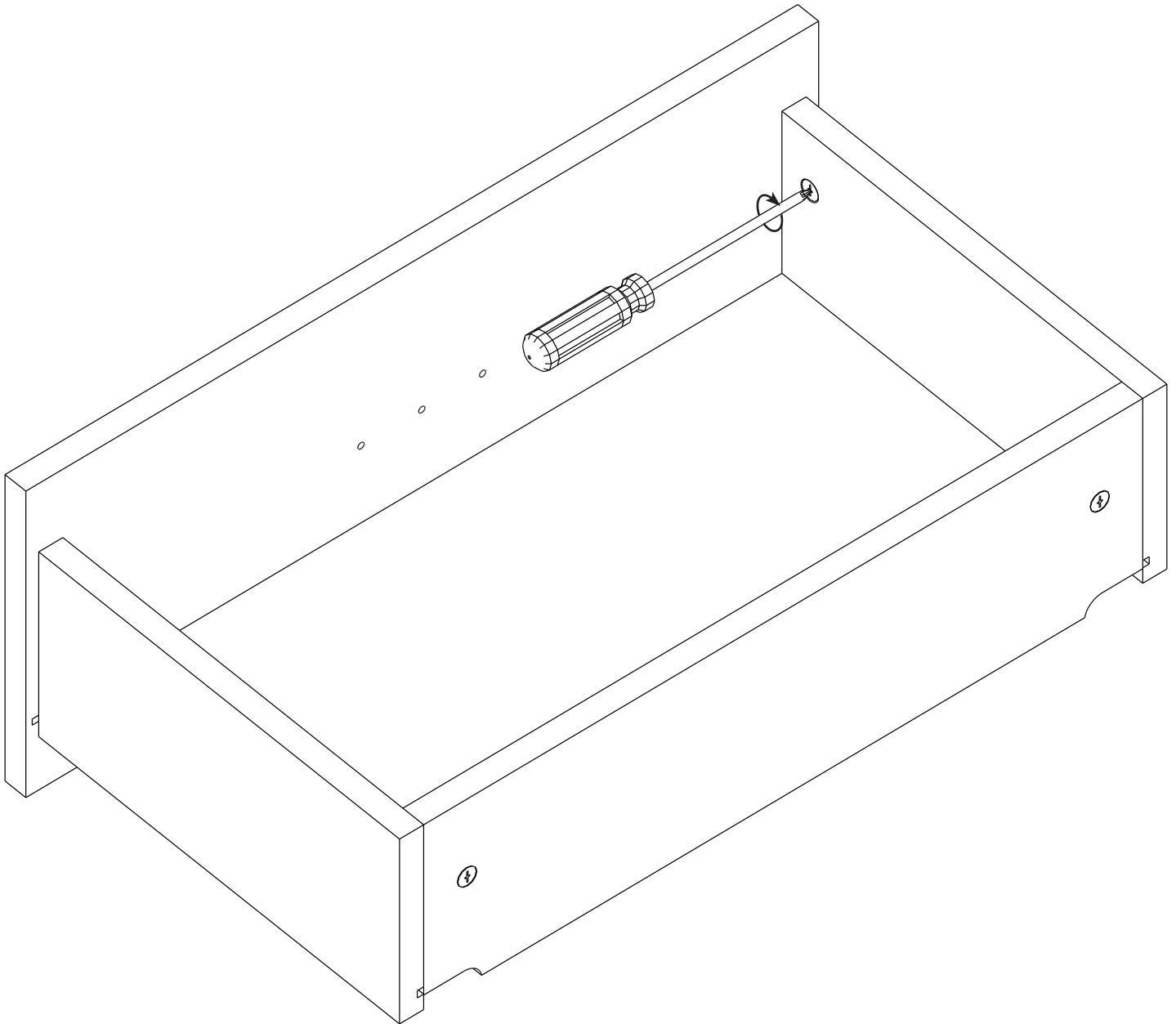
Step 7

Connect drawer front to drawer box.



Step 8

Tighten cam locks on both sides.



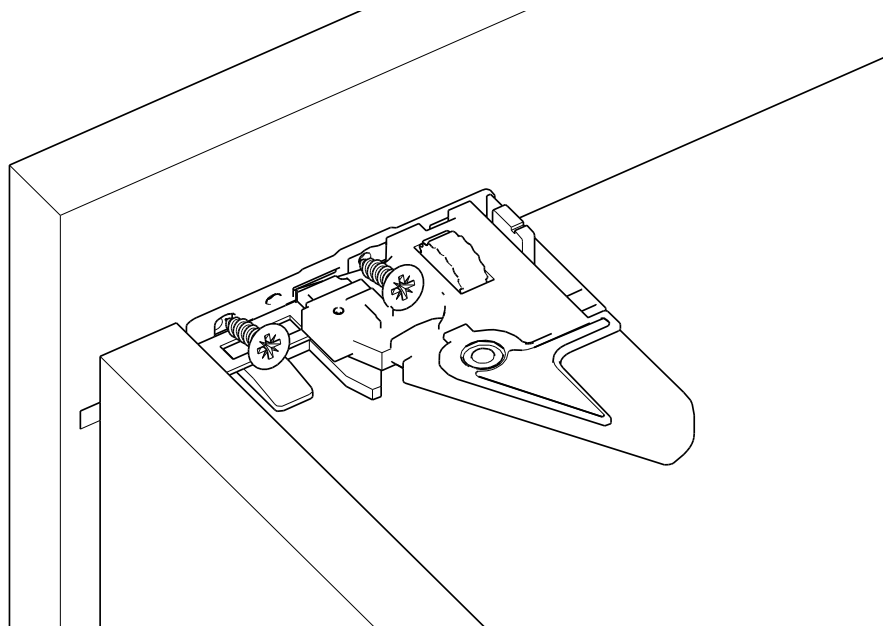
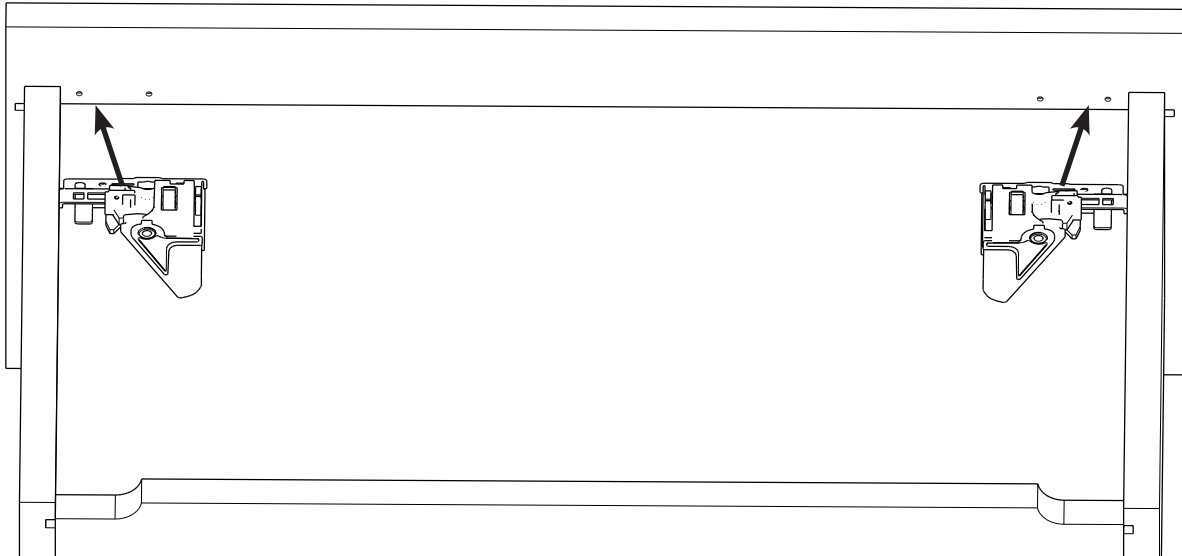
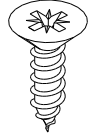
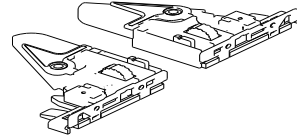


Step 9

Flip over the drawer and put the lock for slides in each corner and screw in as shown. Repeat steps 2 - 9 for all drawers.

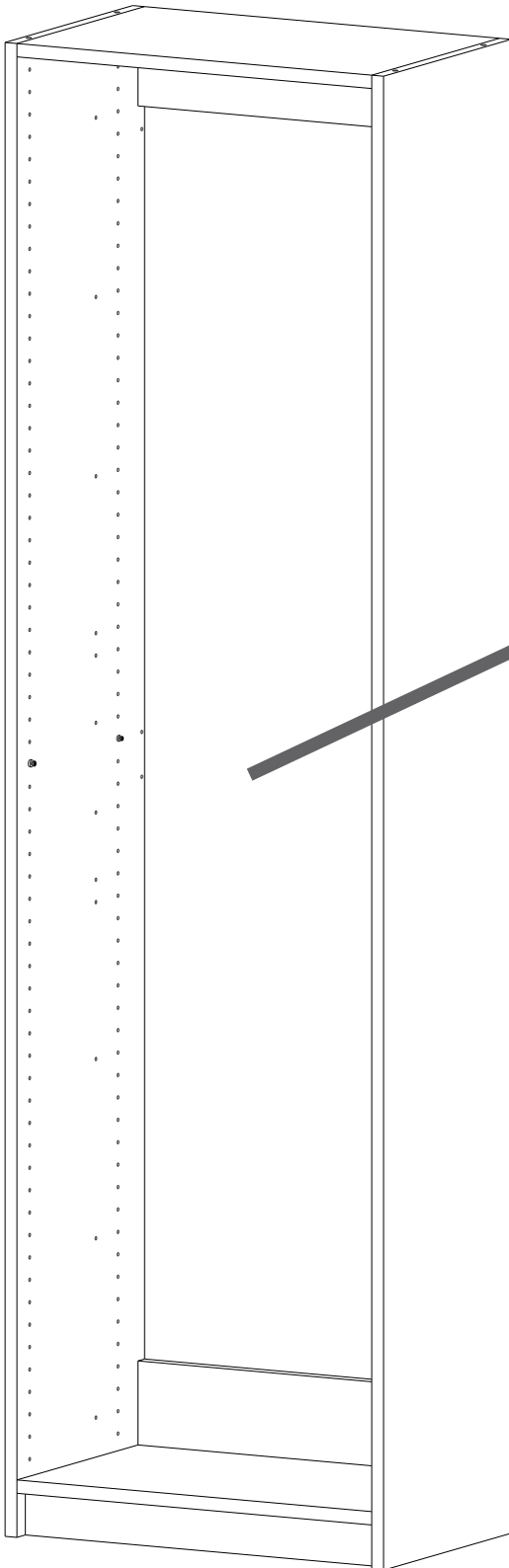
lock for slides R,x1, L,x1

screw for lock x4

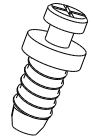


Step 10

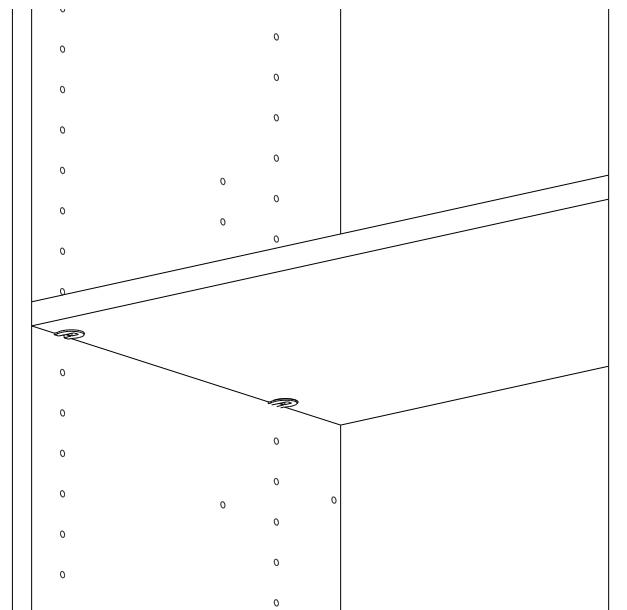
Insert the middle shelf by inserting screw dowels as shown and securing the shelf with the rafixes



Screw dowel
x4



Holes are on
same level
with top of
cleat holes

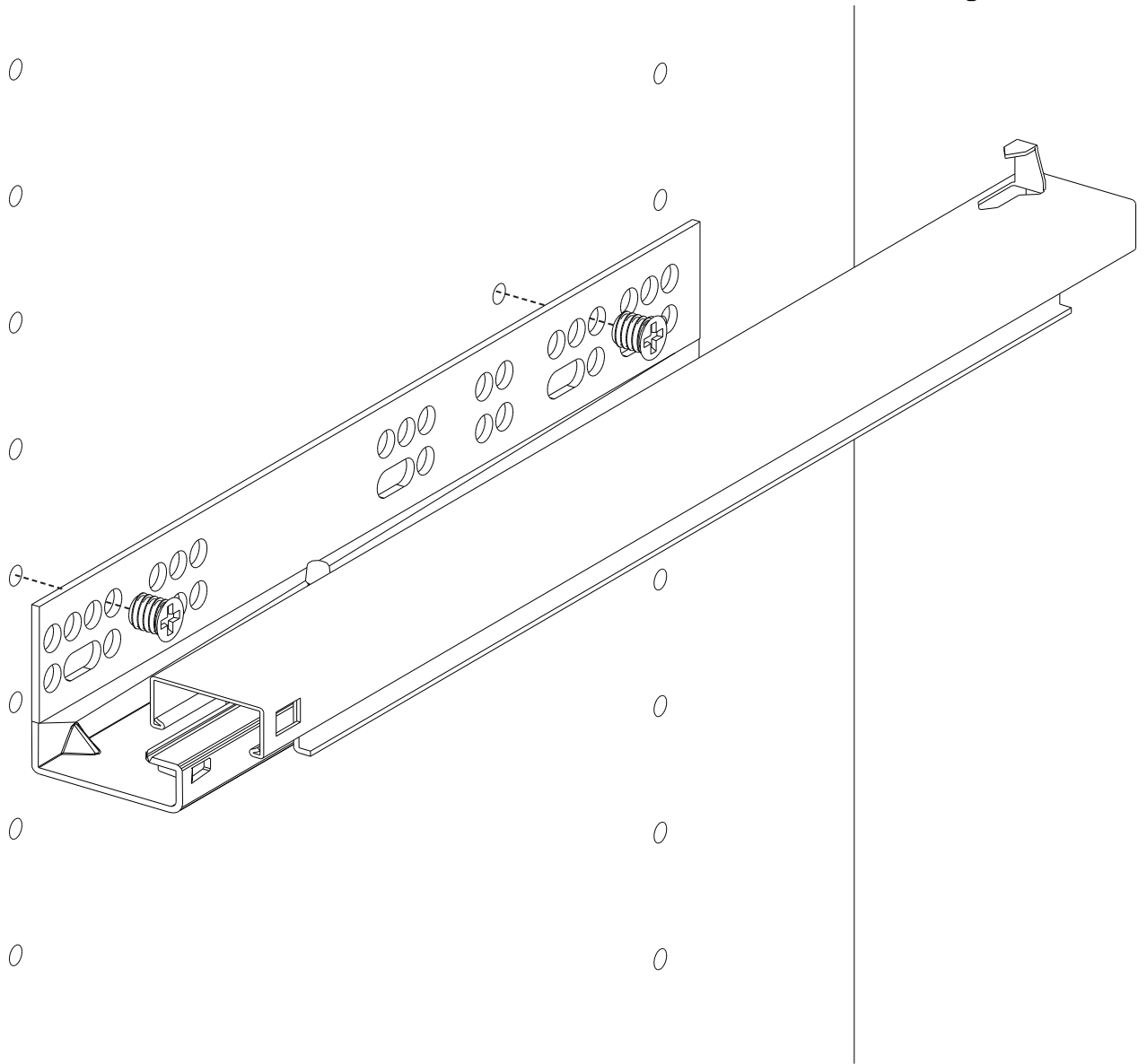




Step 11

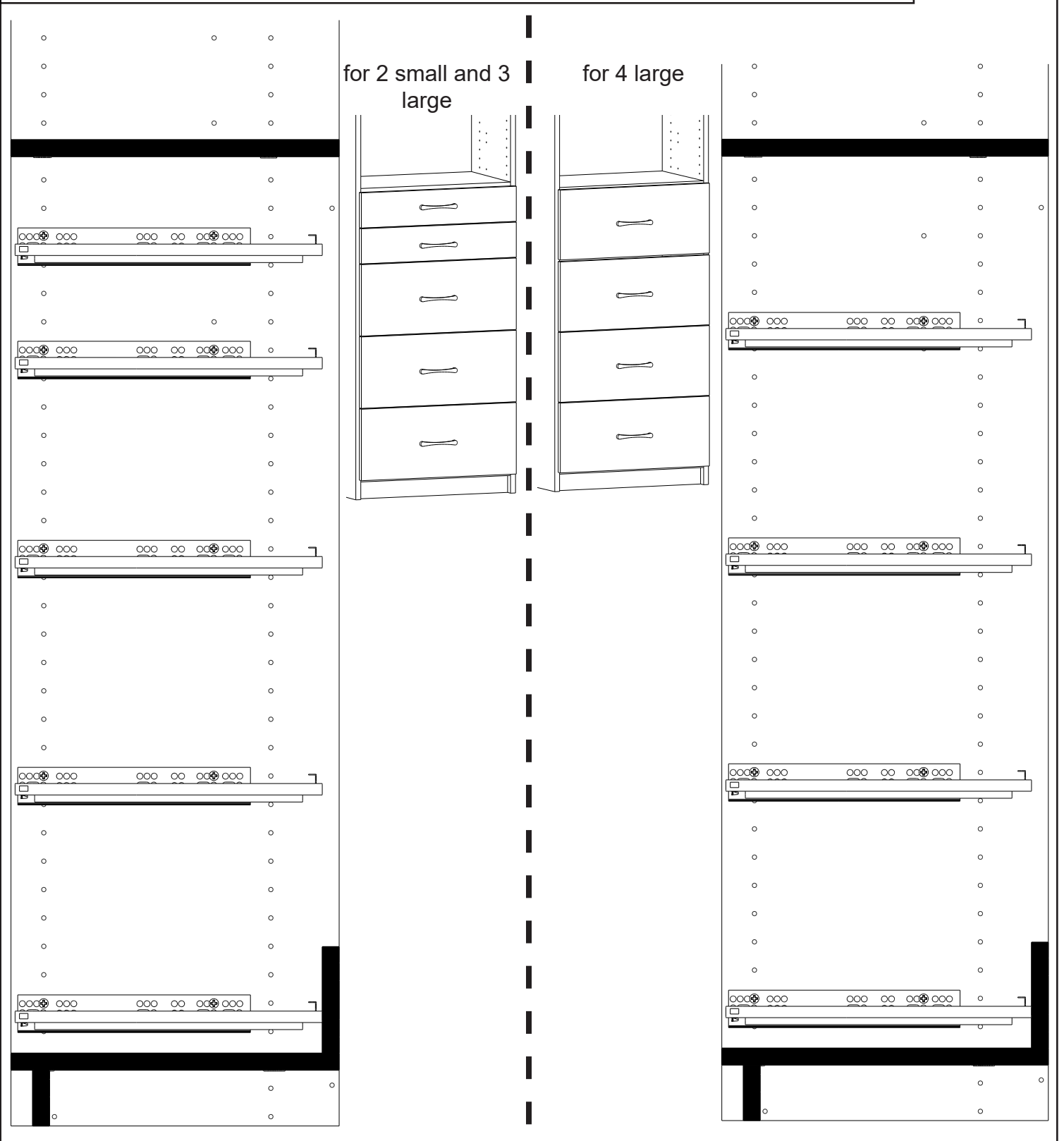
Attach the drawer slides on either side as shown

screws for
slide x4



Step 12

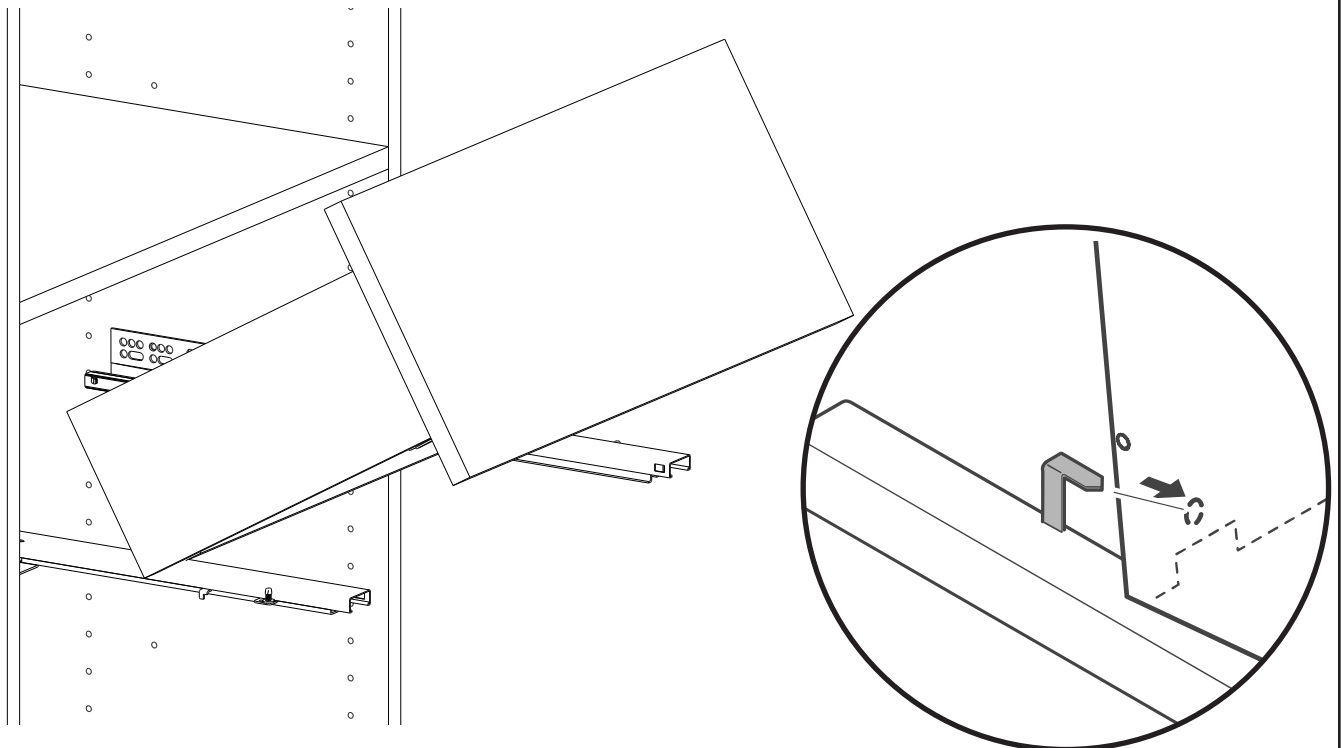
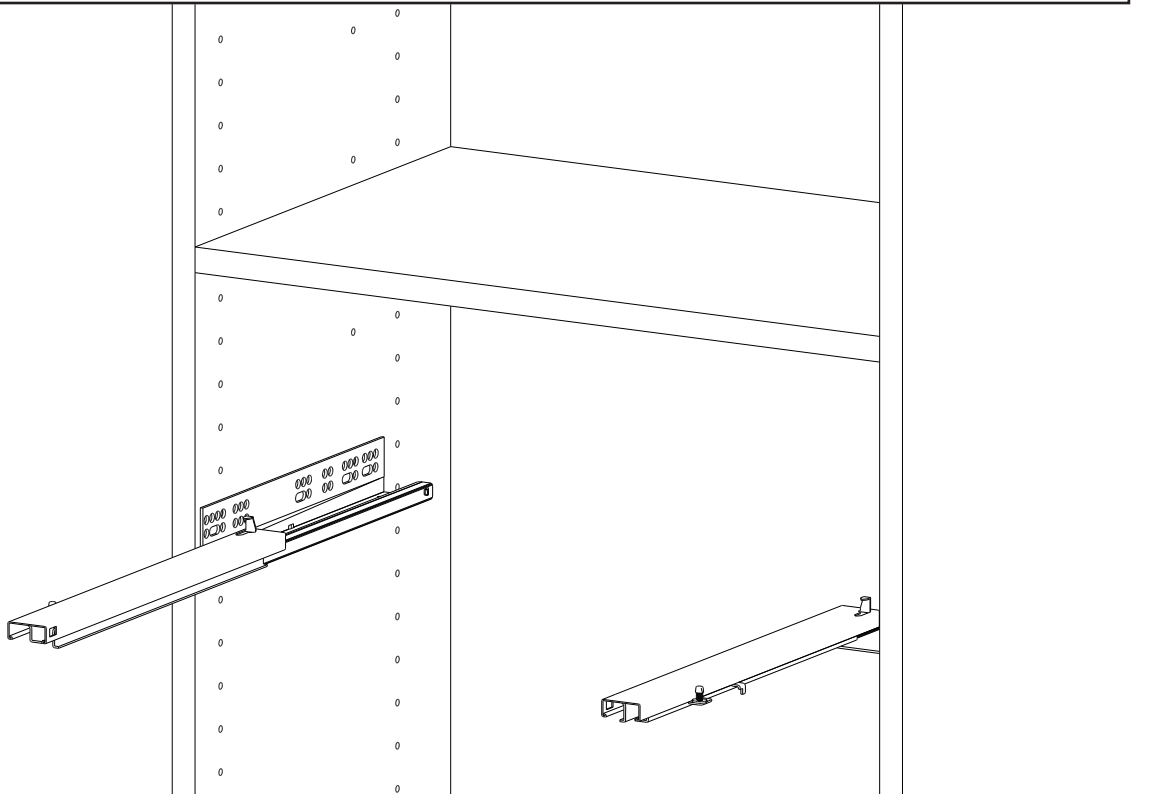
Repeat for remaining drawer slides. Please note the different placements for the 4 drawer and 5 drawer configuration as shown below.





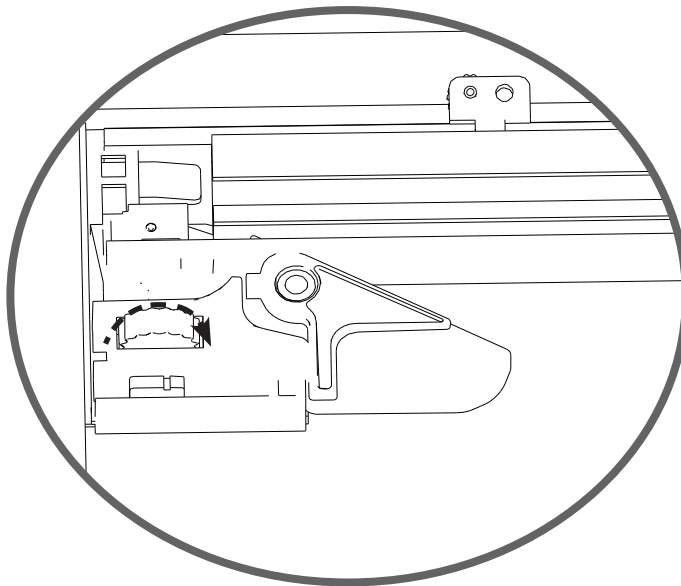
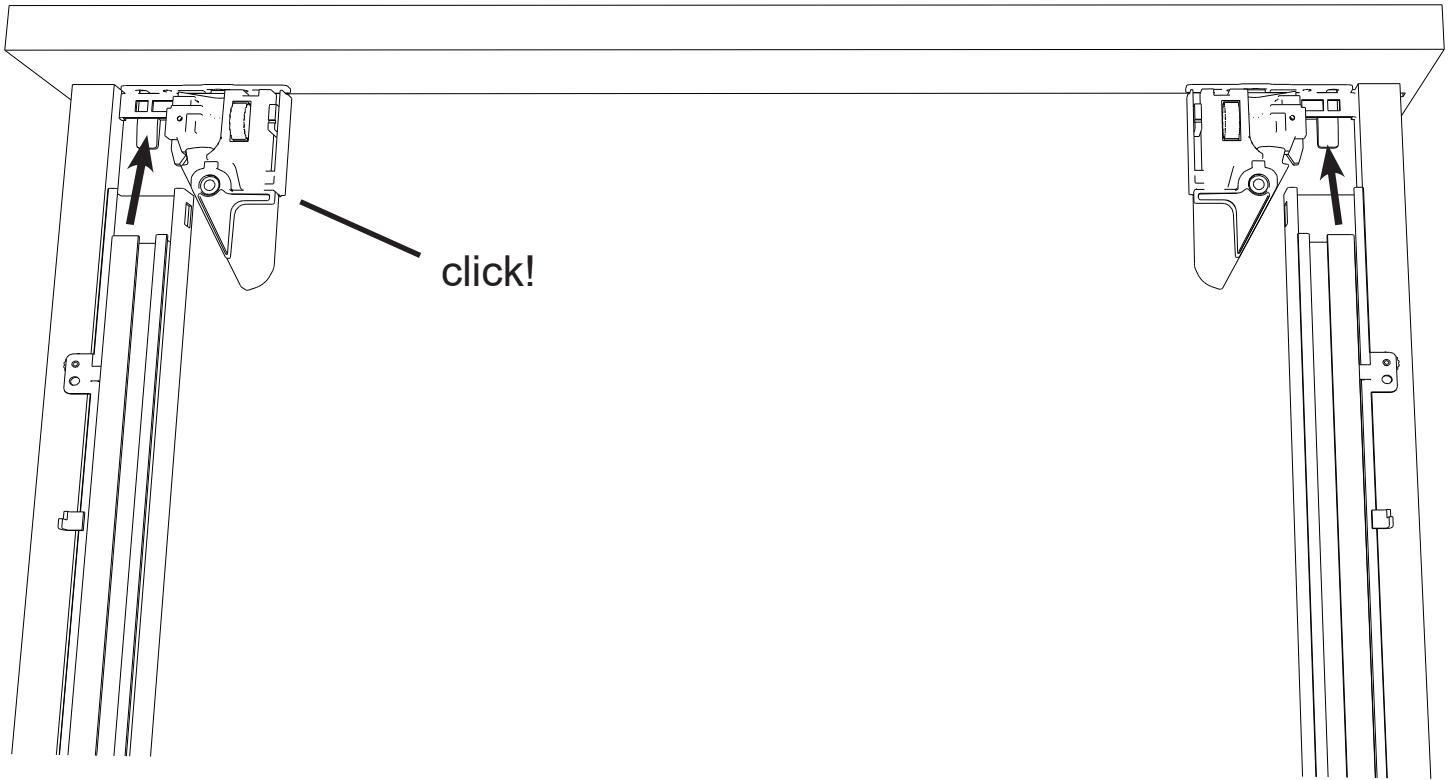
Step 13

Start with the bottom drawer slide.
Slide out the drawer slide and insert the drawer



Step 14

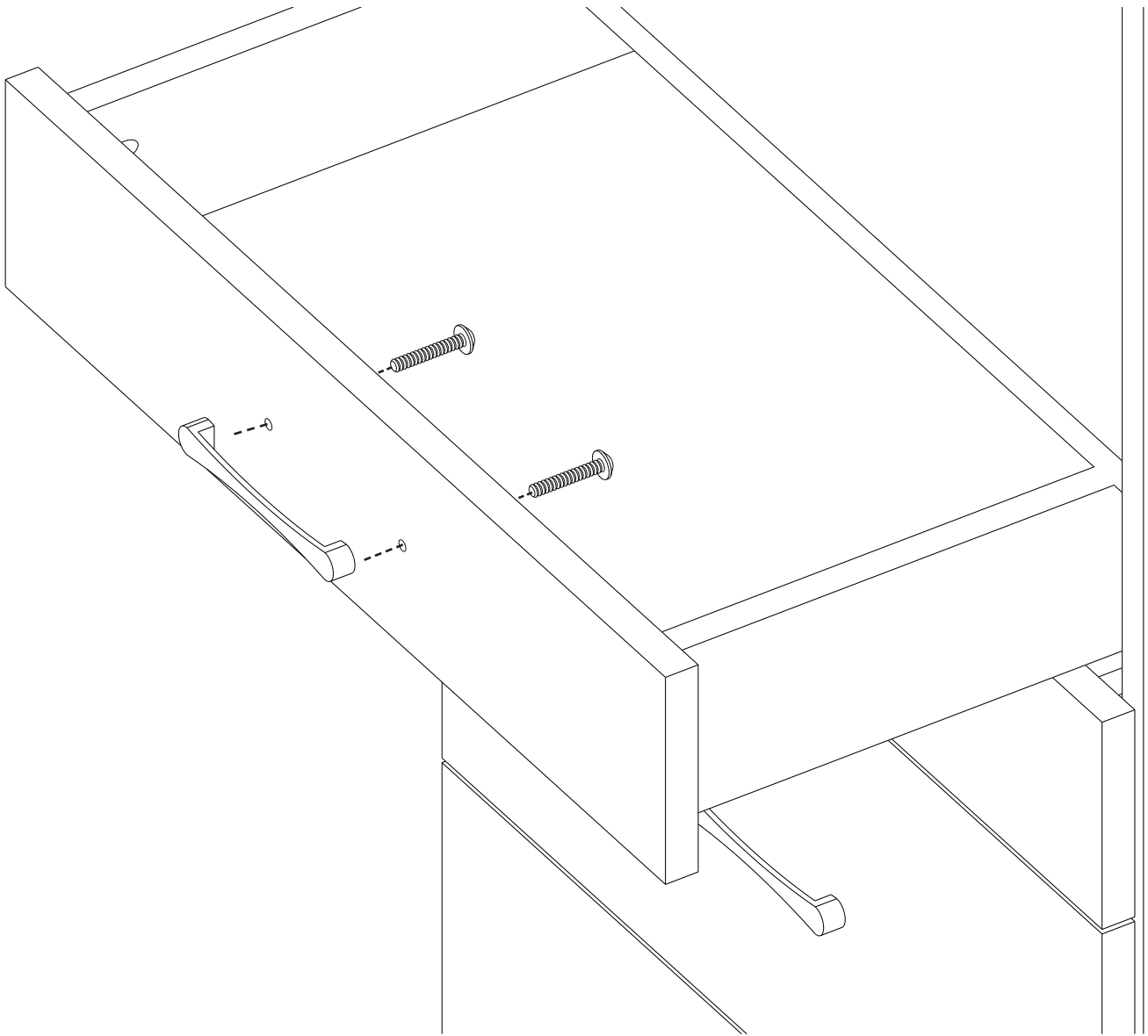
From the underside click the slides into the lock and secure by turning the dial. Repeat for all the drawers





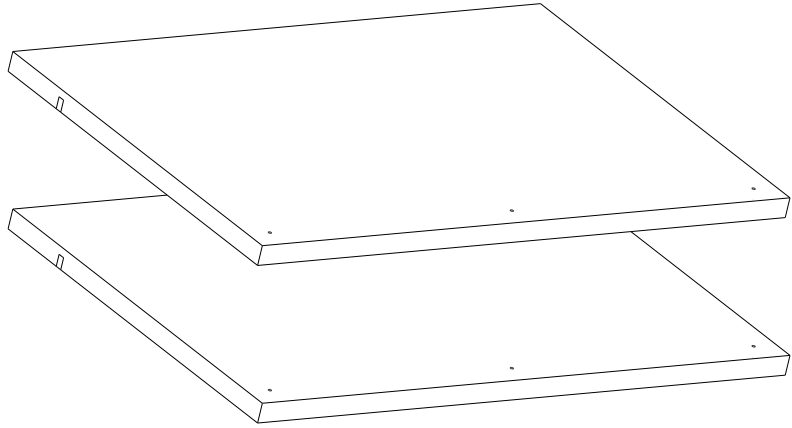
Step 15

Use a screw driver to screw in the knobs \ pulls in to the drawer front. Repeat steps 13 - 15 for all drawers.



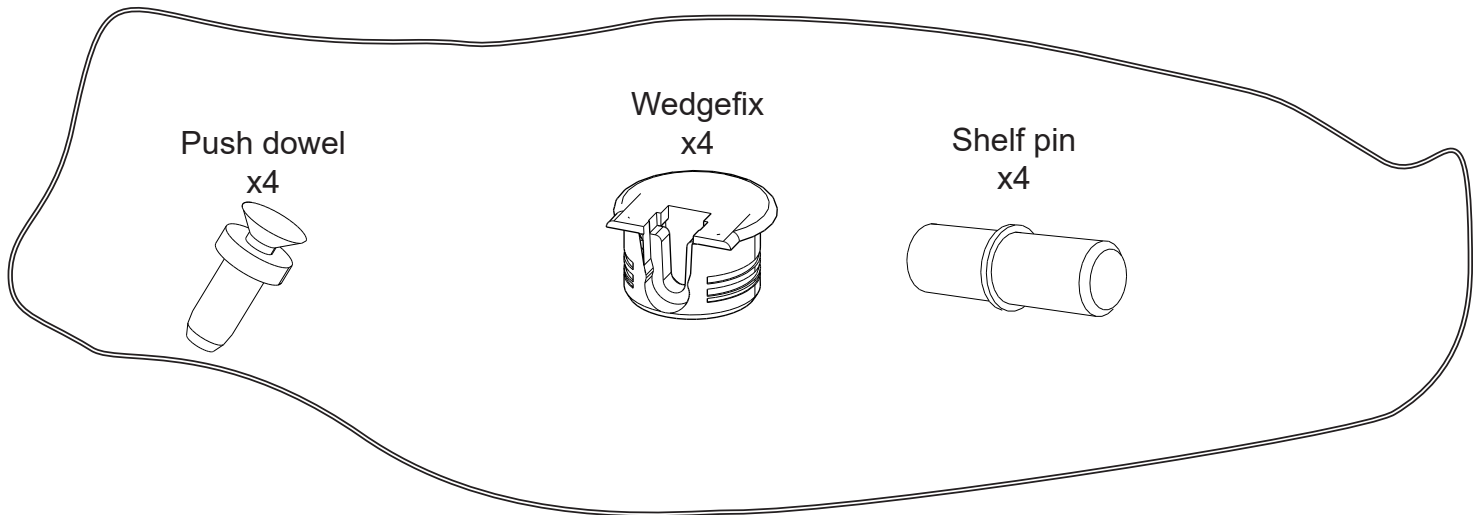
Shoe Shelf Assembly Boxes Needed

ALT-SHS
(2- Pack)



.....

Hardware Packs Needed ALT-HRDP-SHS



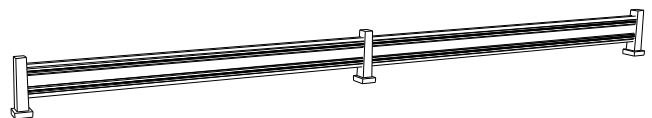
.....

Tools needed

Philips screw driver

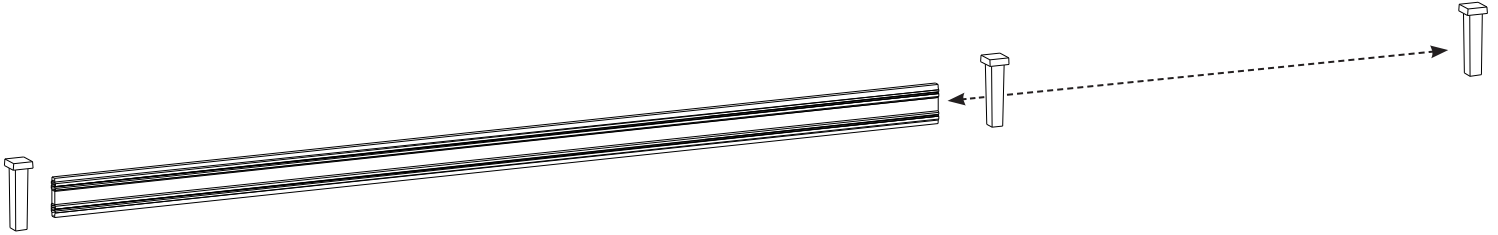


Shoe rails (packed seperatly)

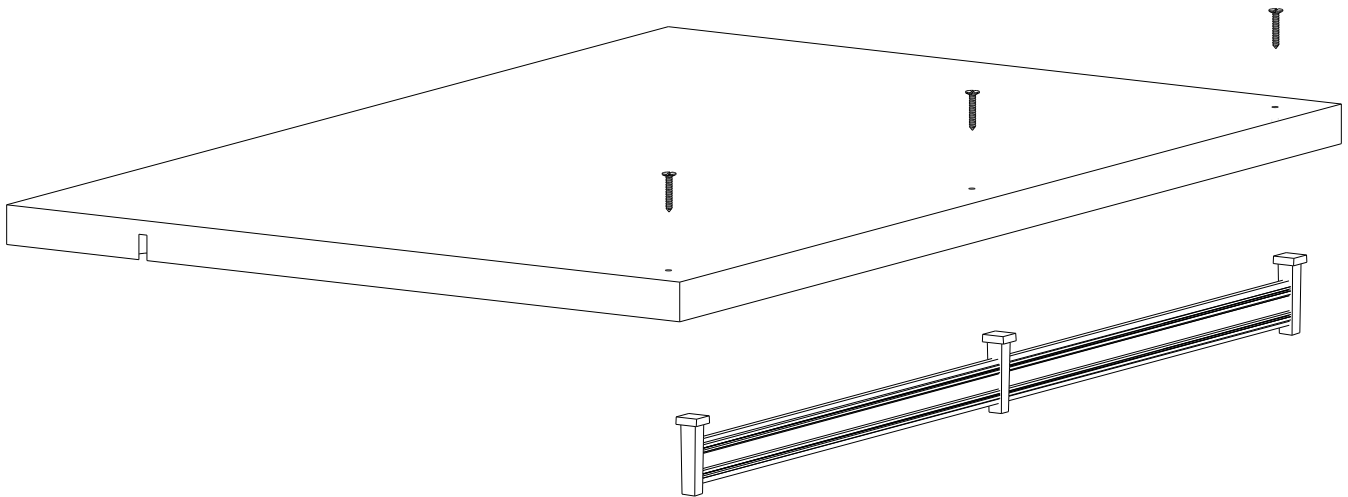


Shoe rail instructions

Slide middle post through and side posts at the sides

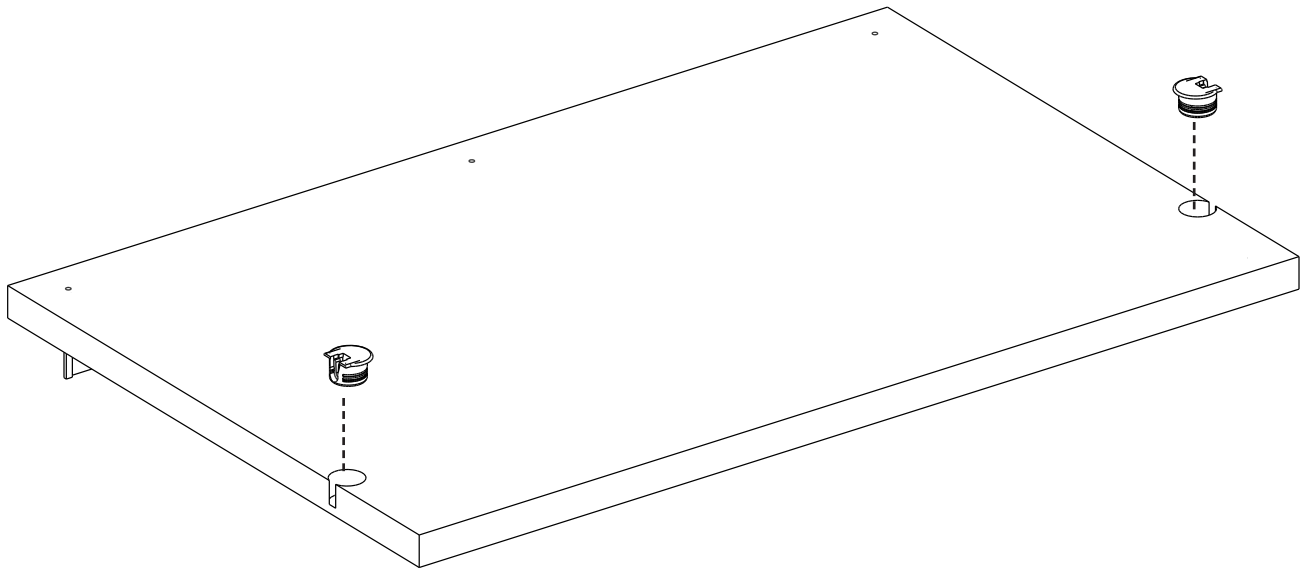


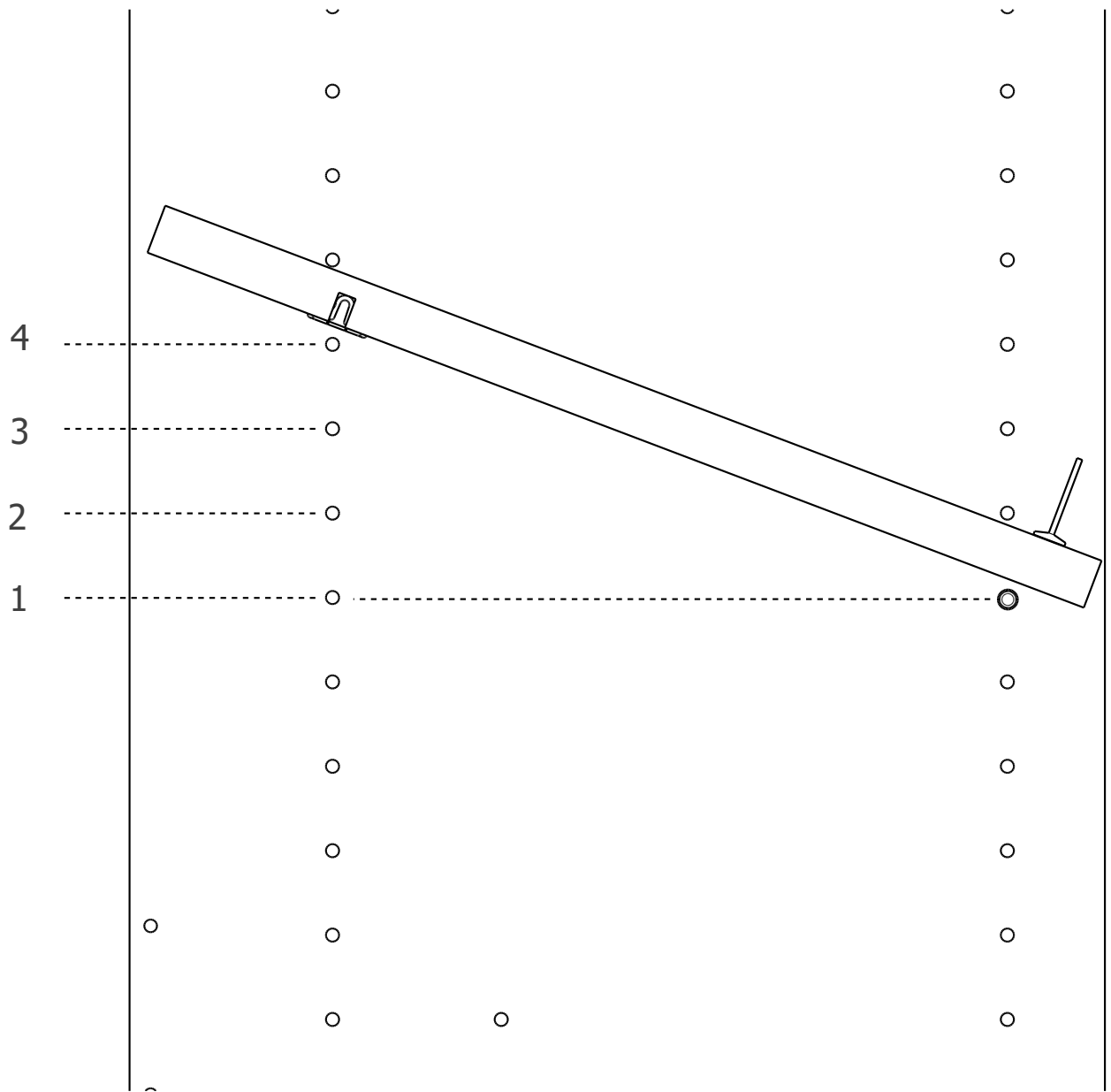
Screw in from the underside



Step 1

After connecting the shoe rails, Insert wedgfixes as shown





Step 2

Insert push dowel and shelf pin as shown and then place shoe shelf by clicking in the wedgexes into the push dowels and rest the front onto the shelf pins.

